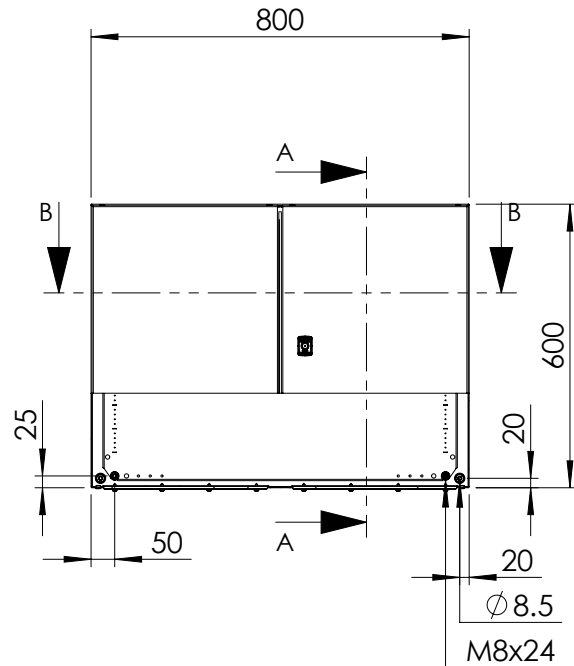
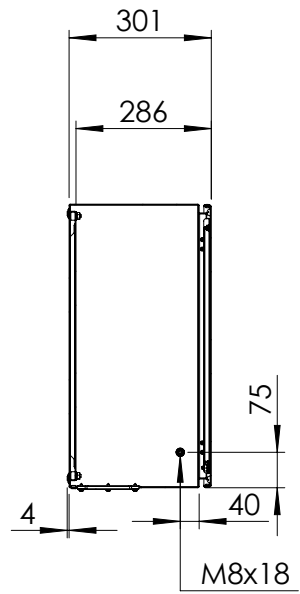


Front view

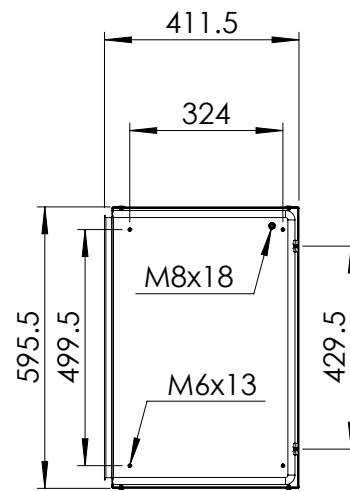


Sectional side view

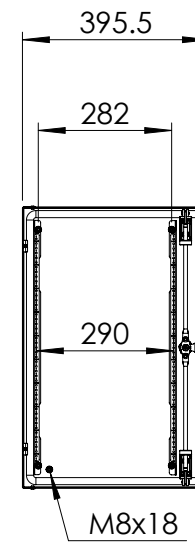


SECTION A-A

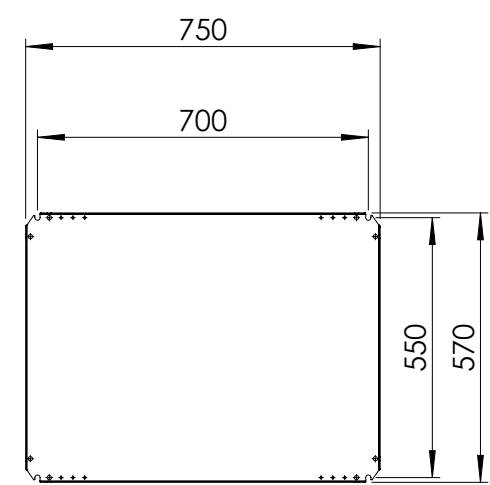
Inside left door view



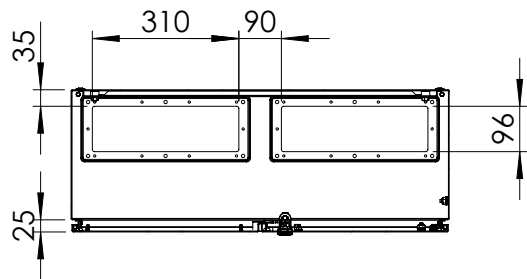
Inside right door view



Mounting plate view



Sectional side view



SECTION B-B

Drawn by : bvduda1	Date: 09-10-2017	Finish: RAL 7035	SCALE:1:16	General tolerances according to Norm ISO 2768-1
Checked by : bvpada	Date: 09-10-2017			
Revision : 01				
		Wall Mounting, Mild steel, Double door enclosure		Reference number : MAD0608030R5 MAD0608030PER5
		600 mm x 800 mm x 300 mm		
				A4
				Page 1/1