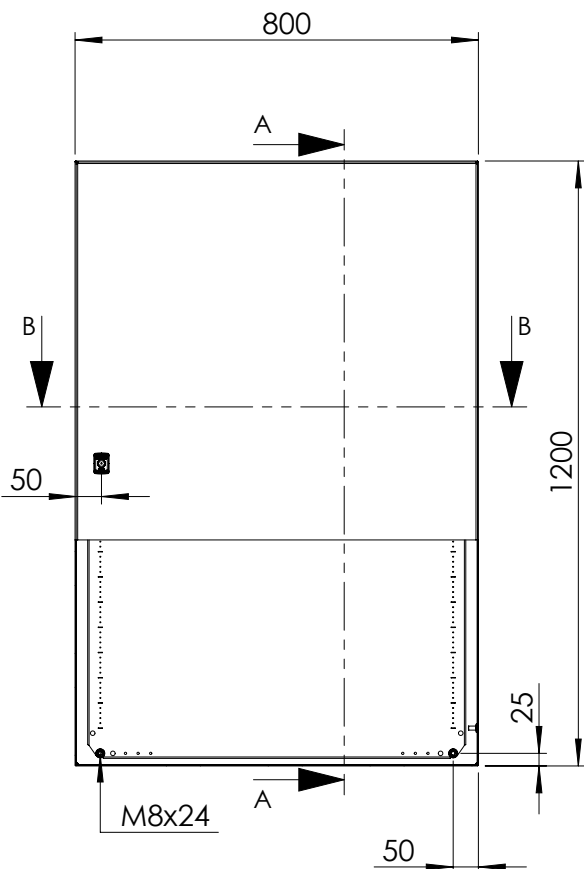


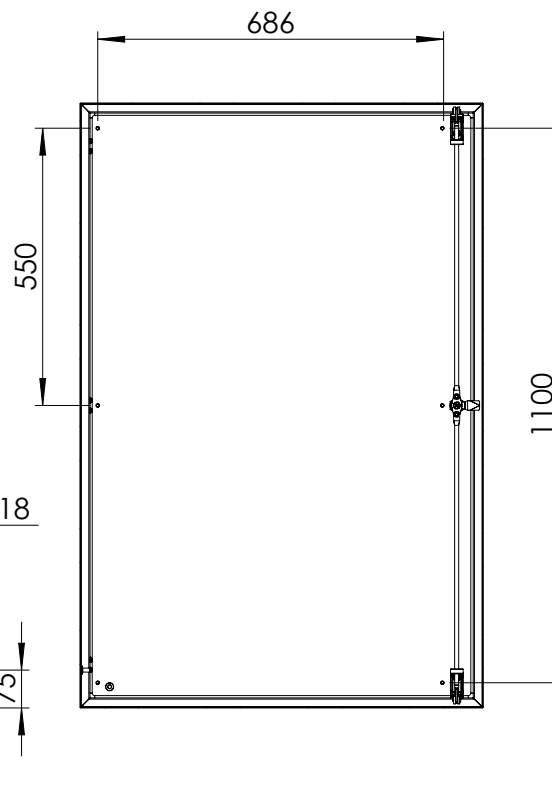
Front view



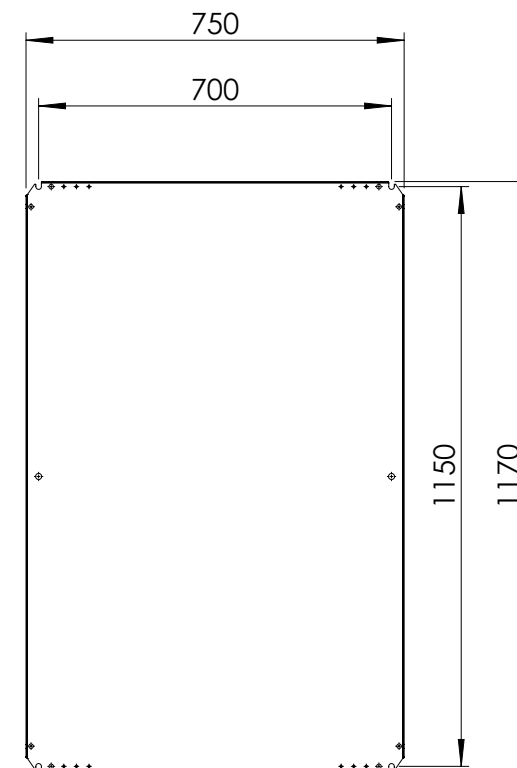
Sectional side view



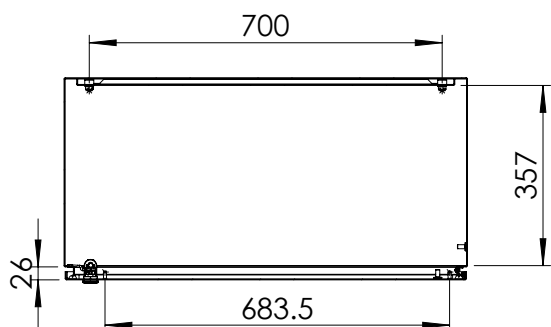
Sectional back view



Mounting plate



Sectional top view



Drawn by : bvduda1	Date: 11-10-2017	Finish: 240s pre grained stainless steel	SCALE:1:15
Checked by : bvpada	Date: 11-10-2017		
Revision : 01			

General tolerances according to Norm ISO 2768-1



Wall Mounting, Stainless steel, Single door enclosure

1200 mm x 800 mm x 400 mm

Reference number :  
**ASR1208040**  
**ASR1208040-316**

A4