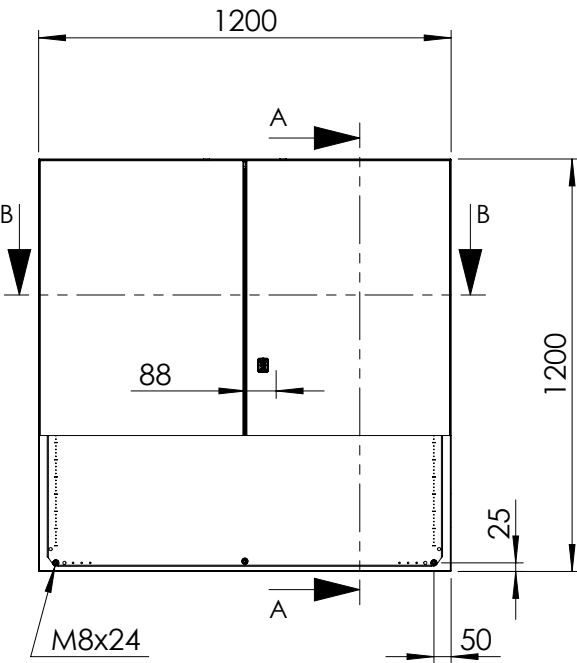
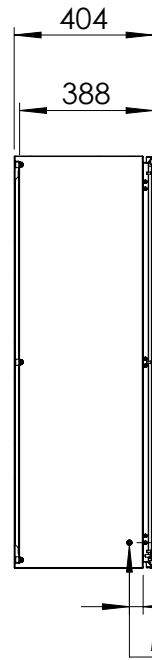


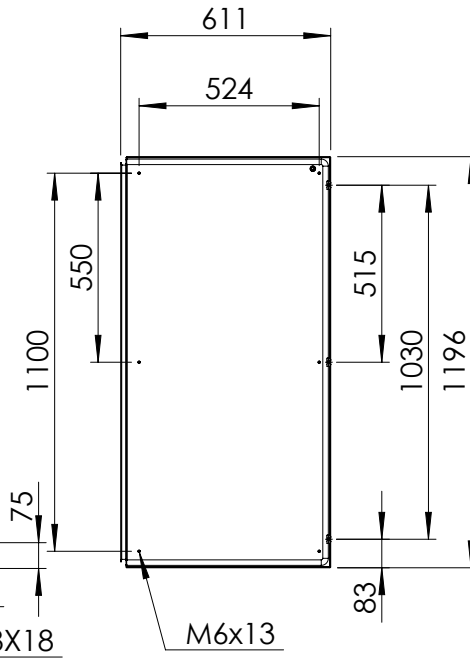
Front view



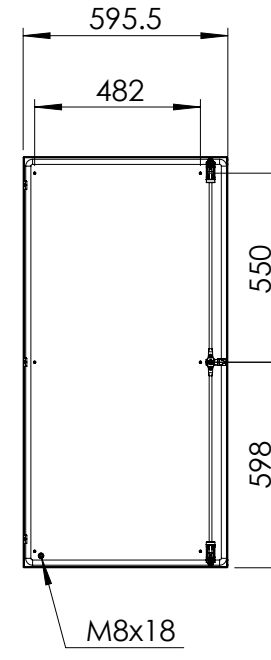
Sectional side view



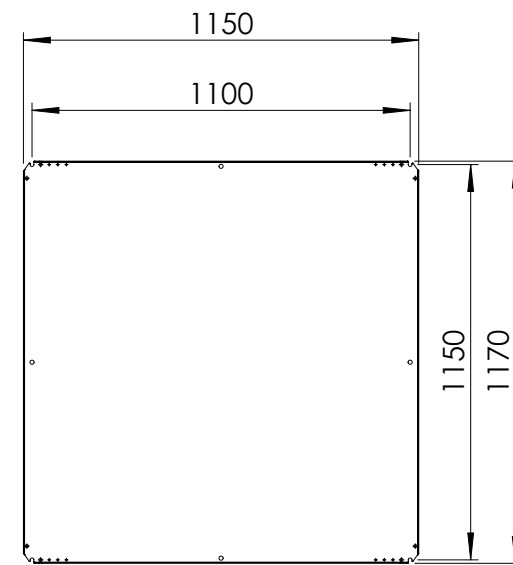
Inside left door view



Inside right door view

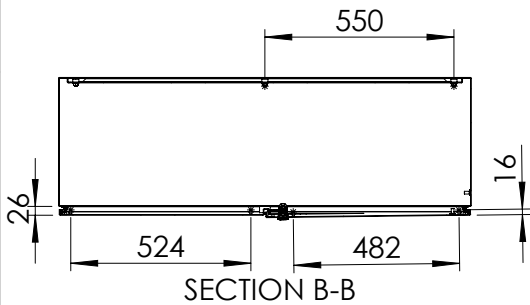


Mounting plate view



SECTION A-A

Sectional side view



SECTION B-B

Drawn by : bvduda1	Date: 12-10-2017	Finish: 240s pre grained stainless steel	SCALE:1:22	General tolerances according to Norm ISO 2768-1
Checked by : bvpada	Date: 12-10-2017			
Revision : 01				
		Wall Mounting, Stainless steel, Double door enclosure		Reference number : ADR1201240 ADR1201240-316
		1200 mm x 1200 mm x 400 mm		
				Page 1/1