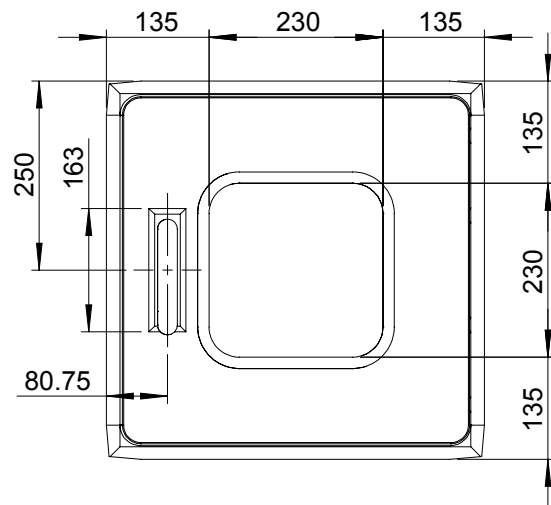
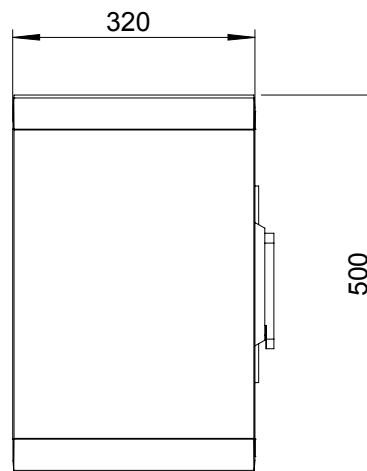


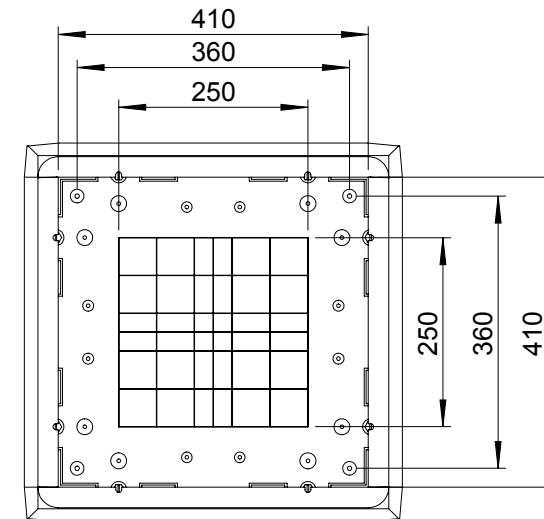
Front view



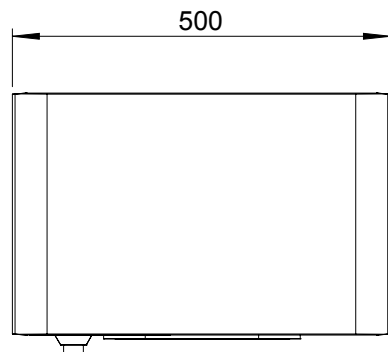
Side view



Inside enclosure view



Top view



Drawn by : bvgрма	Date: 19-01-2015	Finish: RAL 7035	SCALE:1:10	General tolerances according to Norm ISO 2768-1		
Checked by : mderpu	Date: 19-01-2015					
Revision : 01				Fine	Medium	Coarse
		Fibre-glass reinforced polyester Enclosure, Modular version, Transparent door		Reference number :		
		500 mm x 500 mm x 320 mm		UDPT5050		
				Page 1/1		

A4