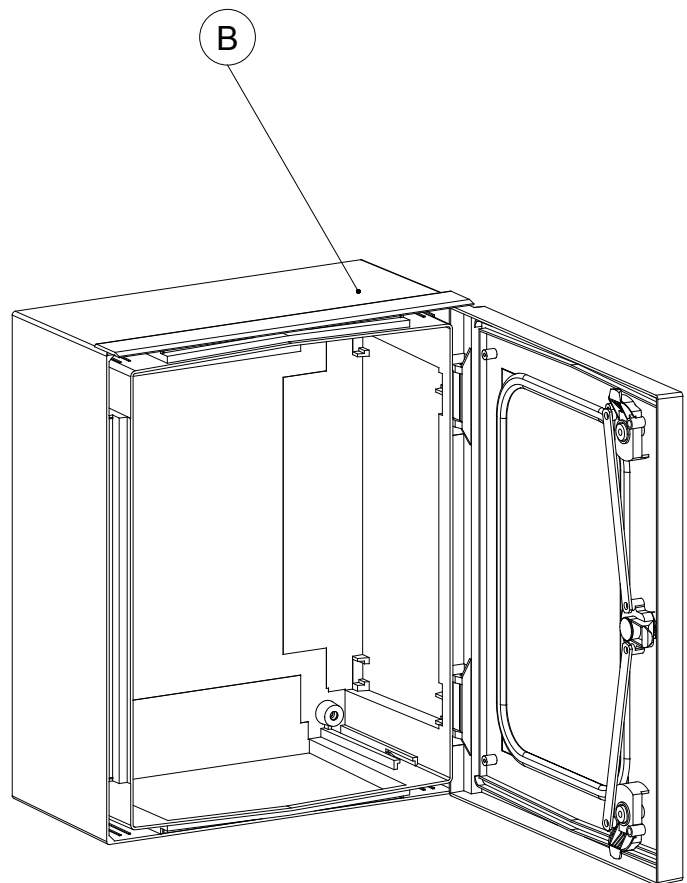
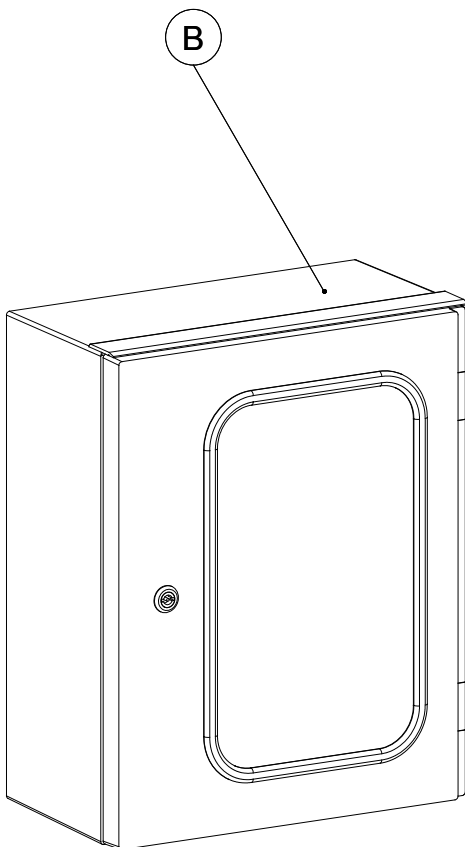
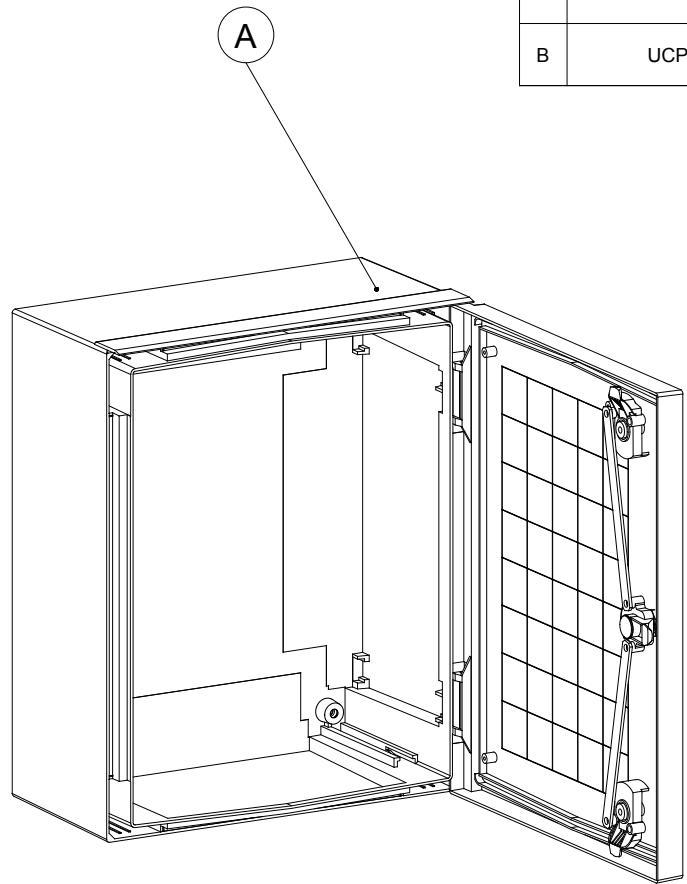
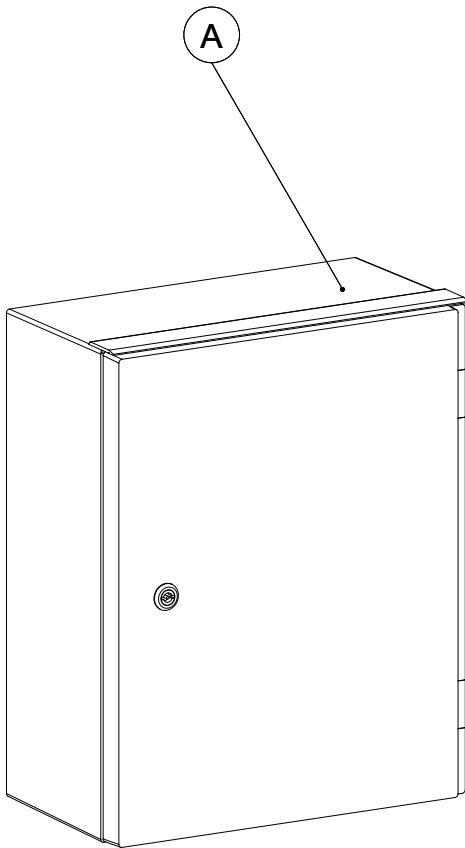


# UCP/UCPT

Ref.	Pic.
A	UCP
B	UCPT



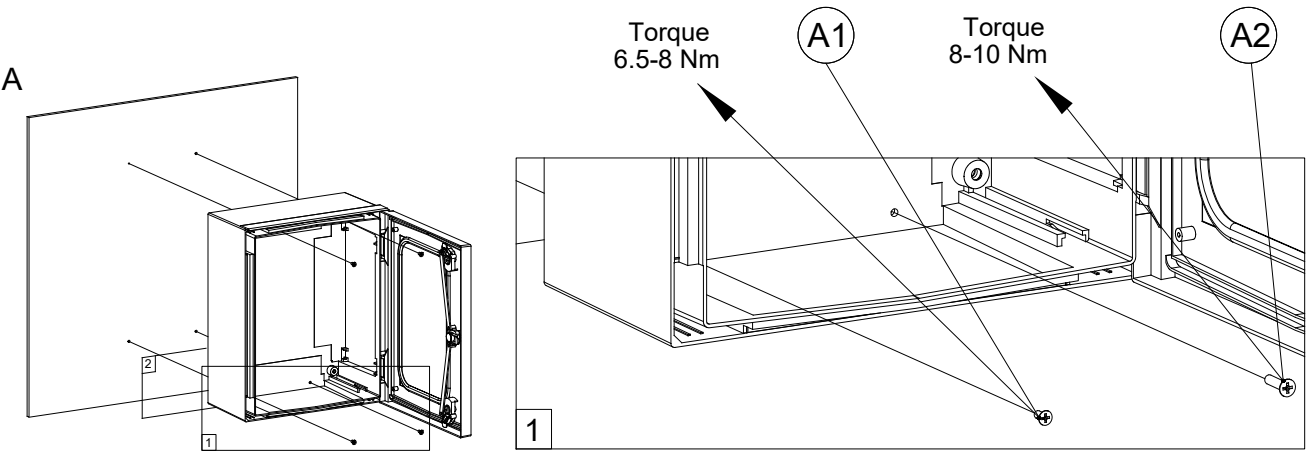


# UCP/UCPT

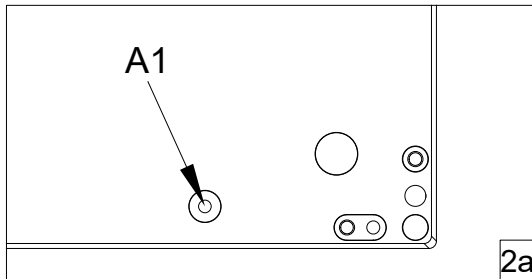
## Direct wall mounting

Ref.	Pic.	Qty.
A1	UCP320 - UCP640 M6x12	4
A2	UCP750 - UCP1080 M9x20	4
B	UCP320 - UCP1080 M8x20	4

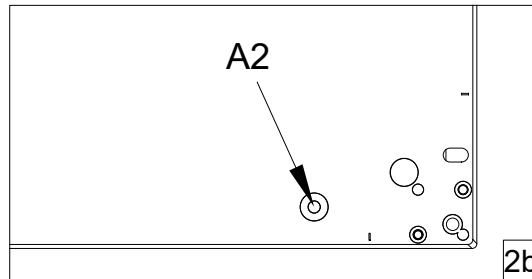
### Option A



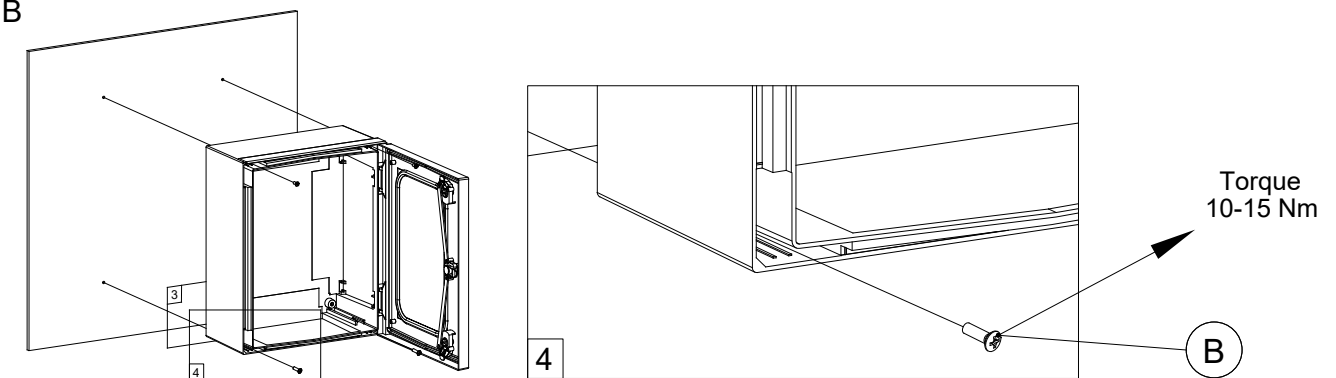
UCP320/UCP452/UCP540/UCP640



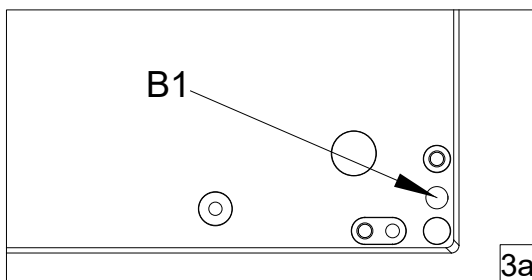
UCP750/UCP860/UCP1080



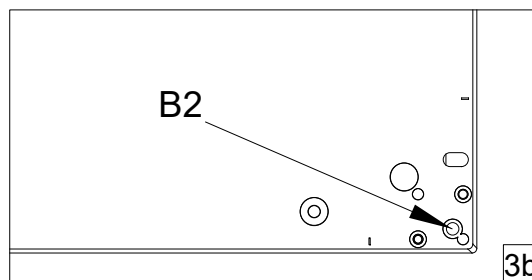
### Option B



UCP320/UCP430/UCP540/UCP640



UCP750/UCP860/UCP1080

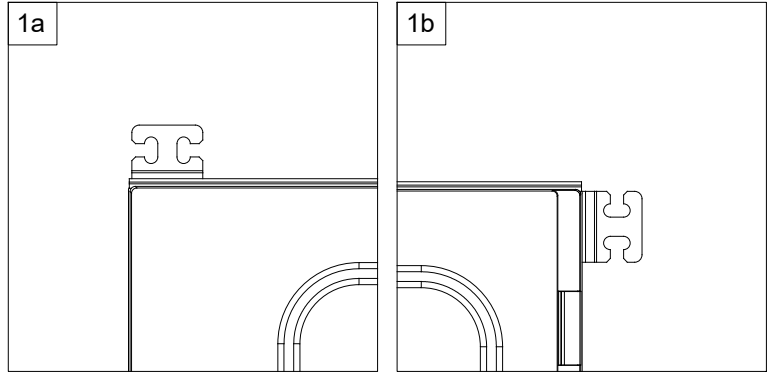
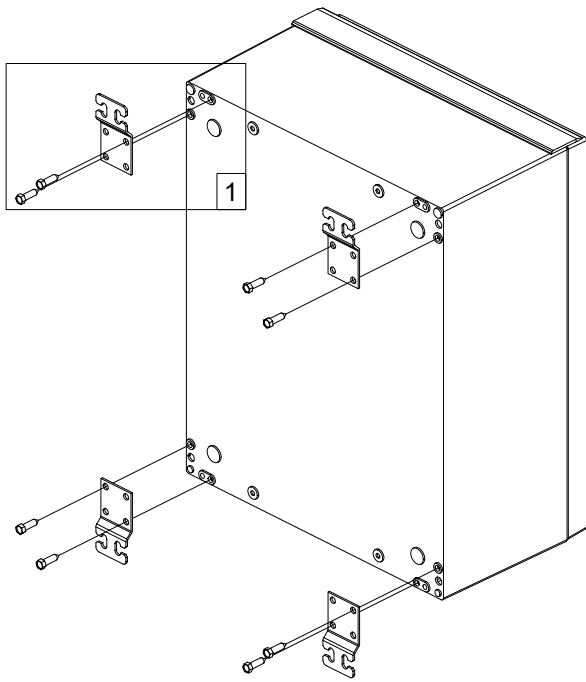




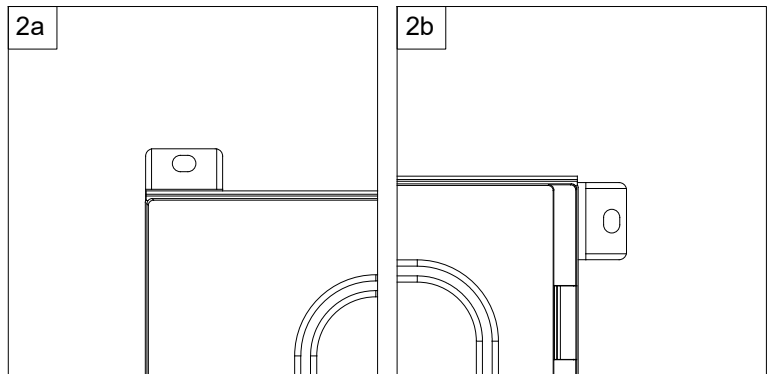
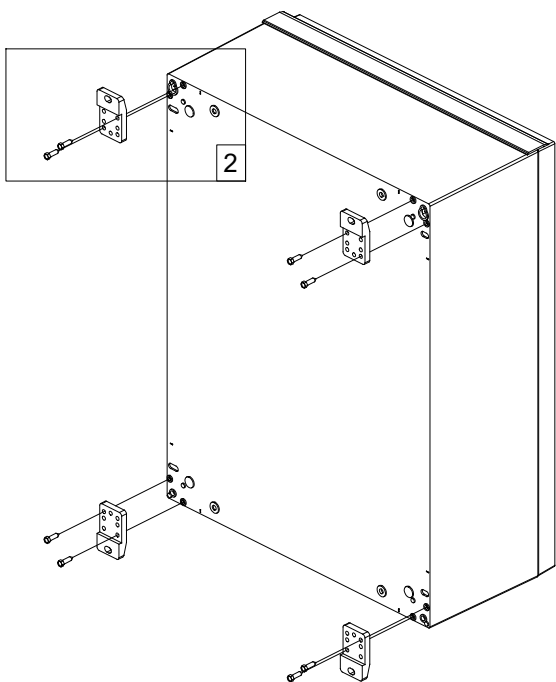
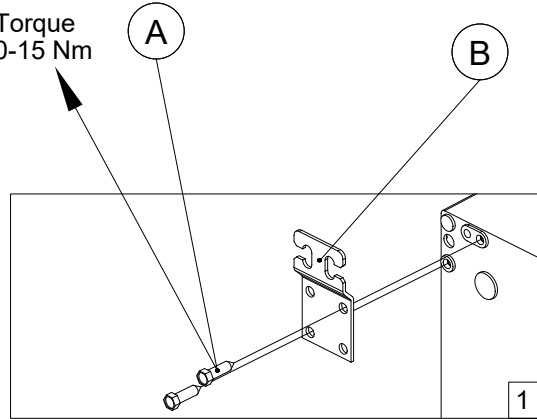
# UWMB

## Wall mounting brackets

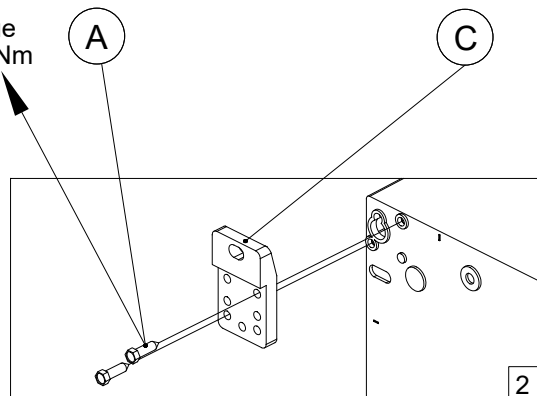
Ref.	Pic.	Qty.
A	M7x26	4
B	UWMB11	4
C	UWMB12	4



Torque  
10-15 Nm



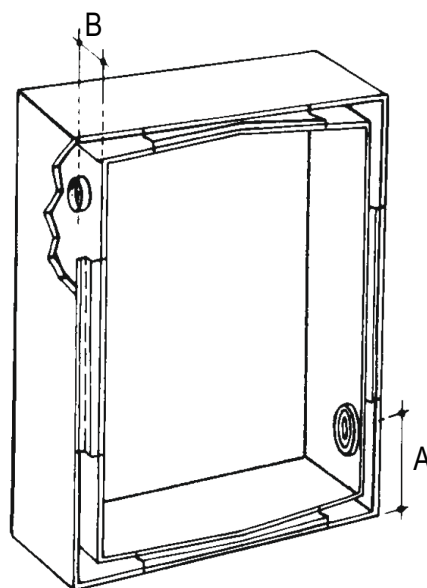
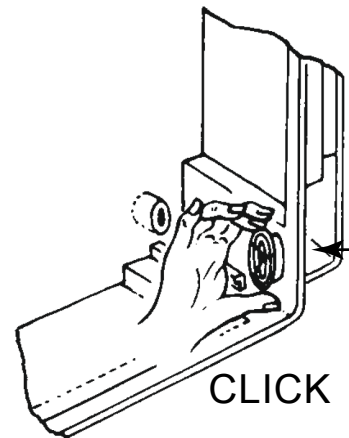
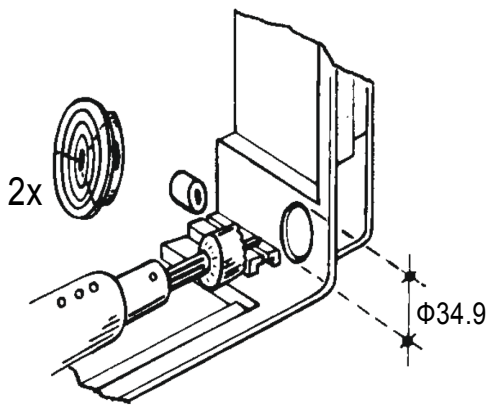
Torque  
10-15 Nm



# UPVD

## Air ventilation grids

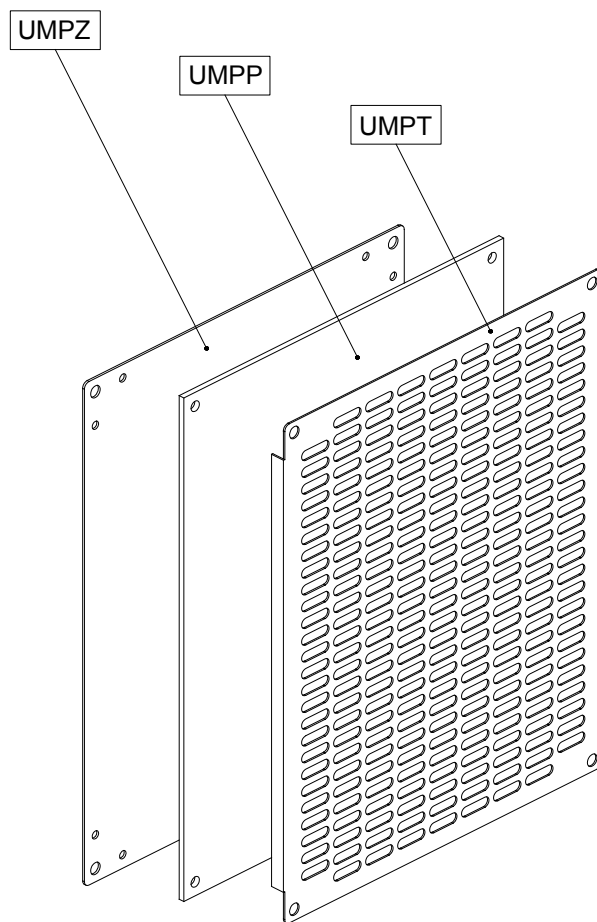
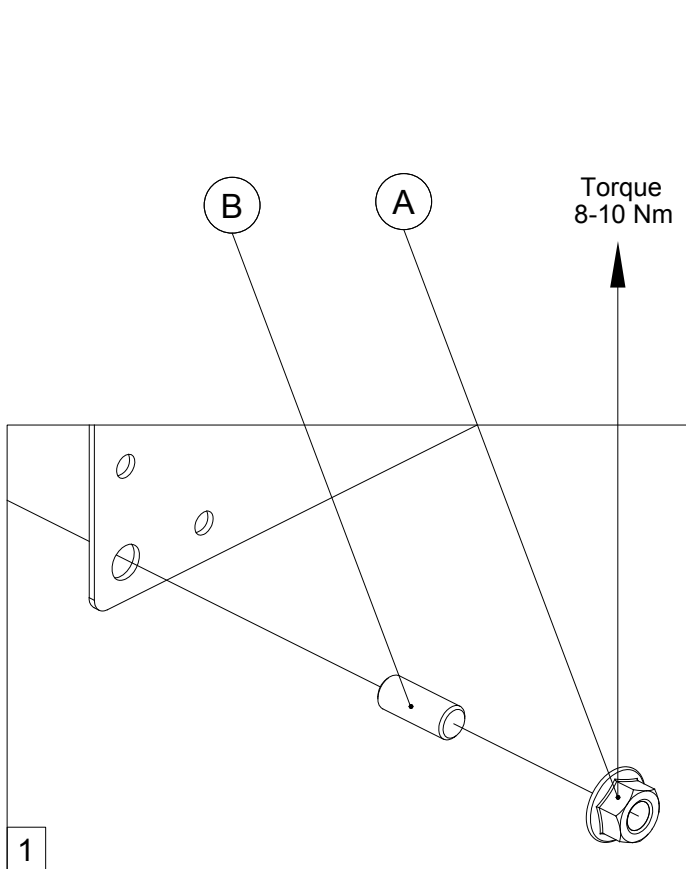
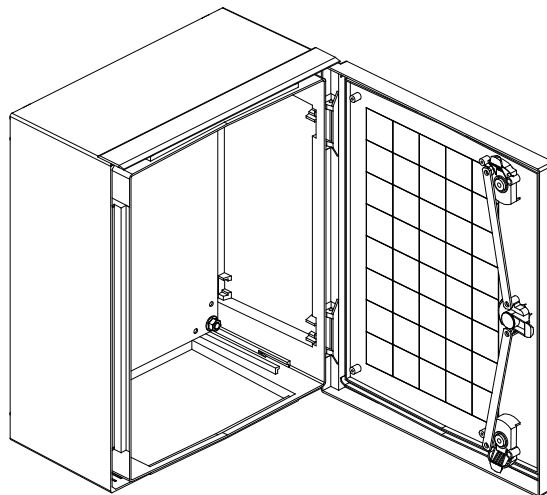
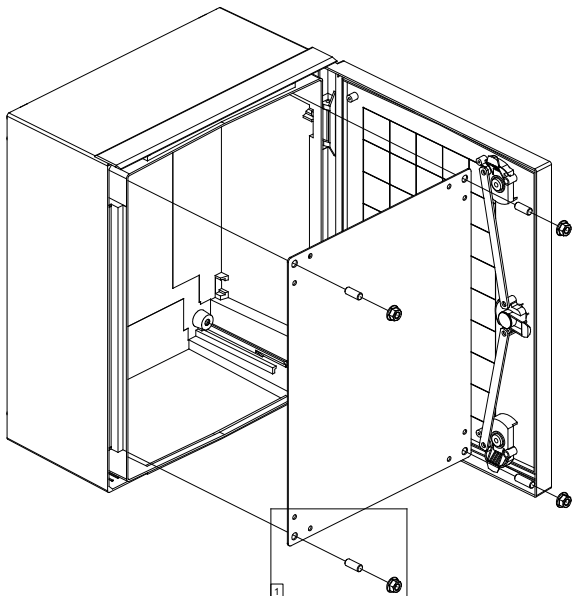
	A	B
400x300	45	43
500x400	45	43
600x400	45	43
700x500	80	55
800x600	80	55
1000x800	80	55





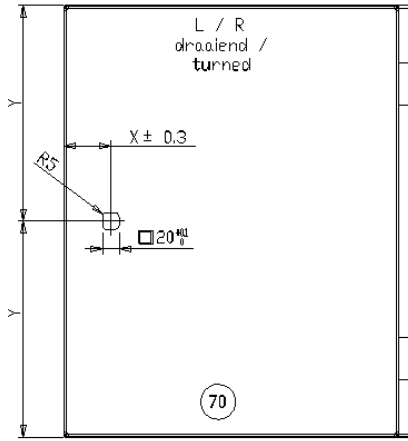
# UMPZ/UMPP/UMPT Mounting plates

Ref.	Pic.	Qty.
A		4
B		4

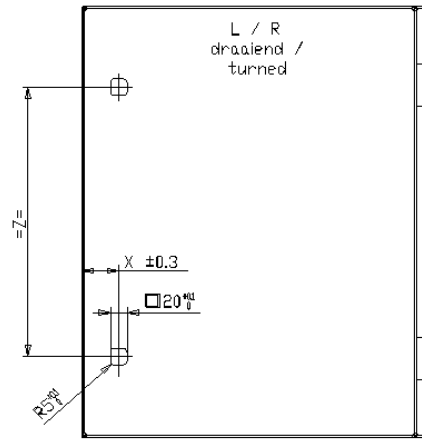


# UDH Handles

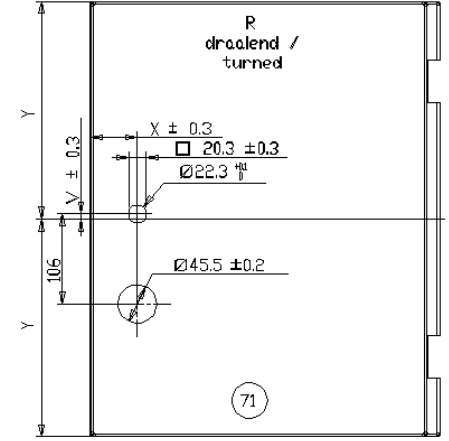
## 1. Door cut-outs



1 PTS / 3 PTS  
SLUITSYSTEEM / LOCKING SYSTEM



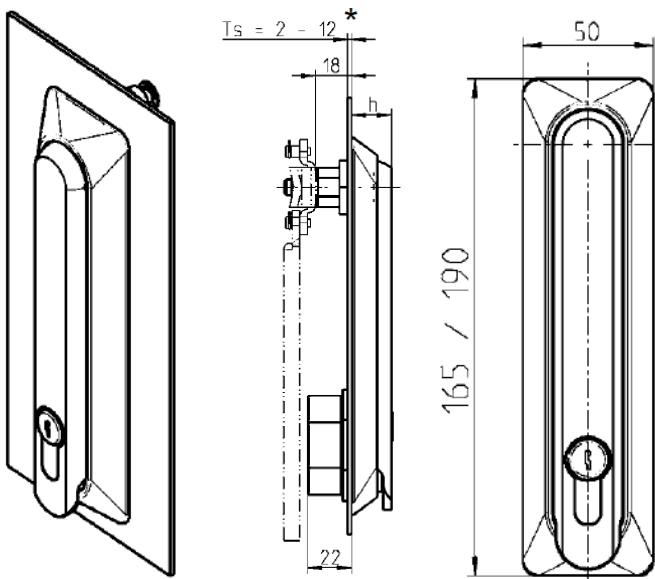
2 PTS  
SLUITSYSTEEM / LOCKING SYSTEM



HANDGRIEP / HANDLE

Type/Dim [mm]	X (1-point)	X (2-point)	X (central)	Y	Z	V
UCP320	44			151	-	0
UCP430/UCPT430	44		56	207	-	6
UCP540/UCPT540		44	56	257	320	0
UCP640/UCPT640		44	56	307	420	0
UCP750/UCPT750		44	64	367	445	0
UCP860/UCPT860		53	64	417	560	0
UCP1080/UCPT1080		53	64	517	760	0

## 2. UDH2C/UDH3C Swinghandle

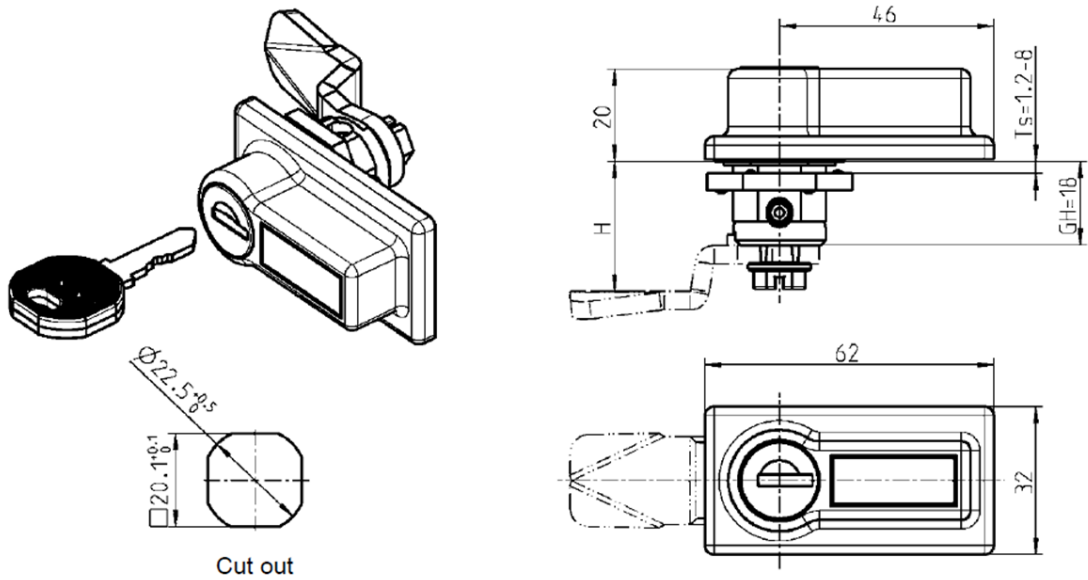


Above drawing is a general drawing for these swing-handles and may vary from the product specified like mentioned below.

UDH2C/UDH3C:

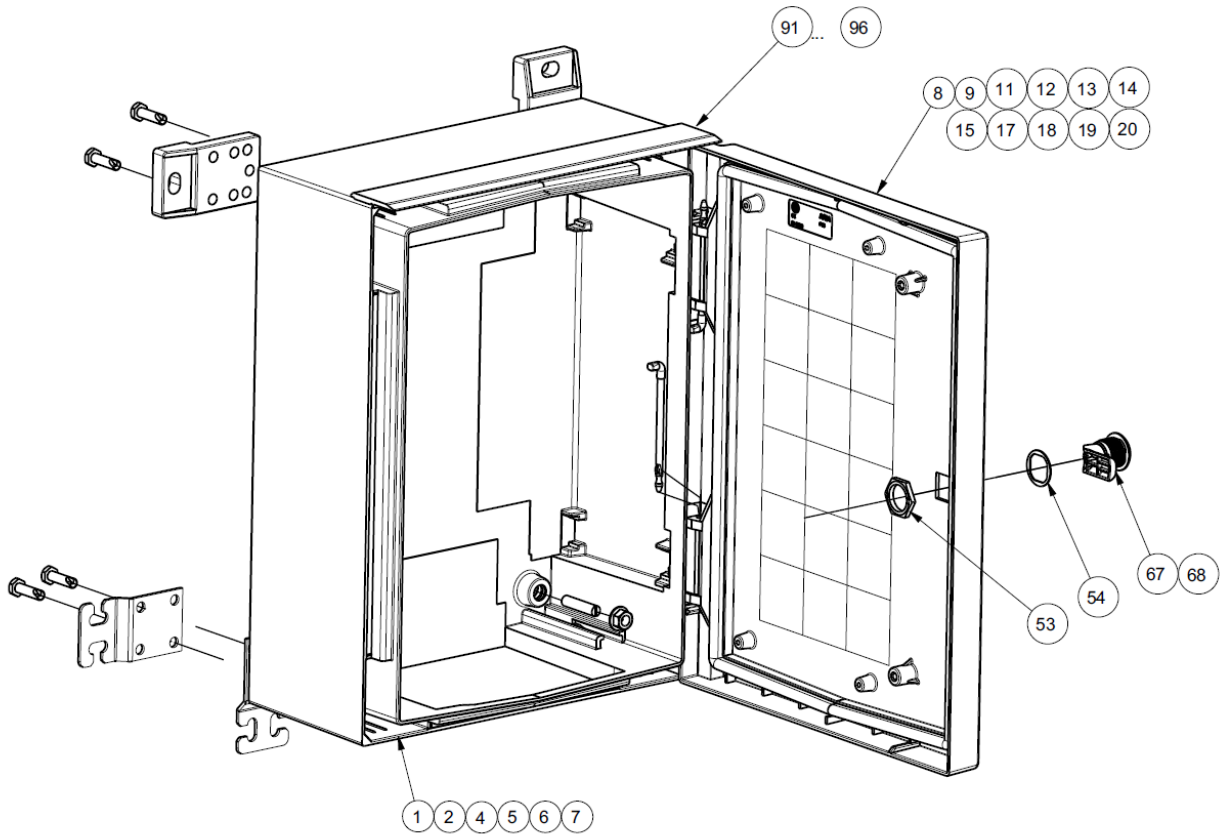
- does include a plastic cap above the lock insert like shown in the picture. This cap can be sealed. It is foreseen for protecting the lock itself from environmental impacts.
- does not include the profile half cylinder itself.
- does not include the locking mechanism on the inner side like closing cams or locking bars.

### 3. Handle

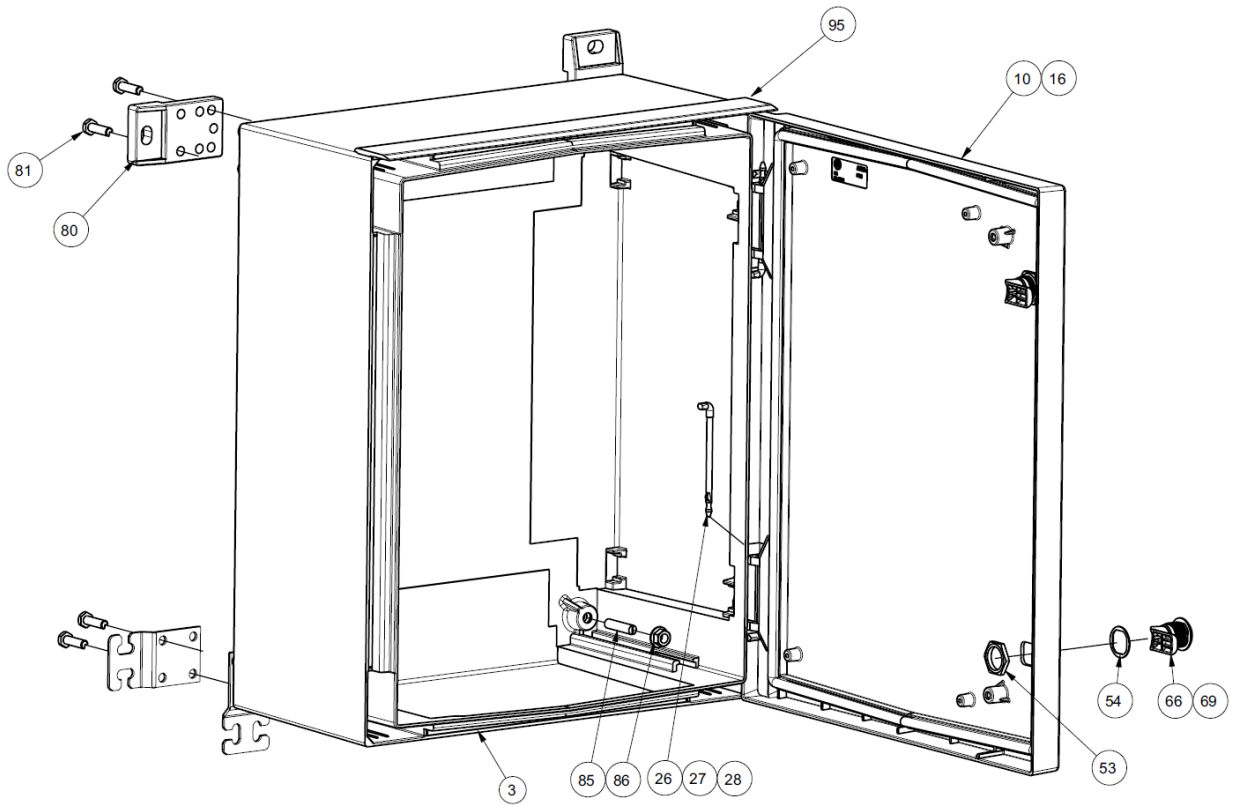


Item-No.	Description
UDH0C	Neutral handle
UDH1C	Handle with key E2432

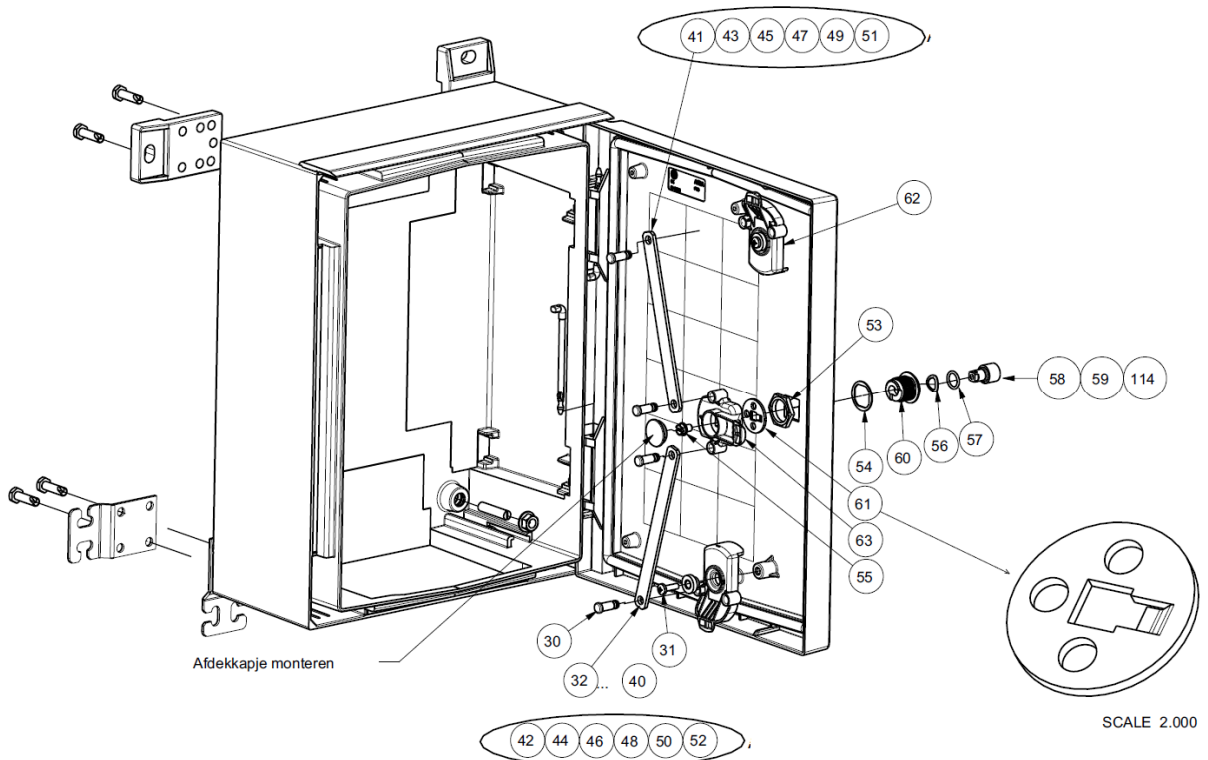
### 4. UCP/UCPT with 1-point locking



### 5. UCP/UCPT with 2-point locking






### 6. UCP/UCPT with 3-point double-bit

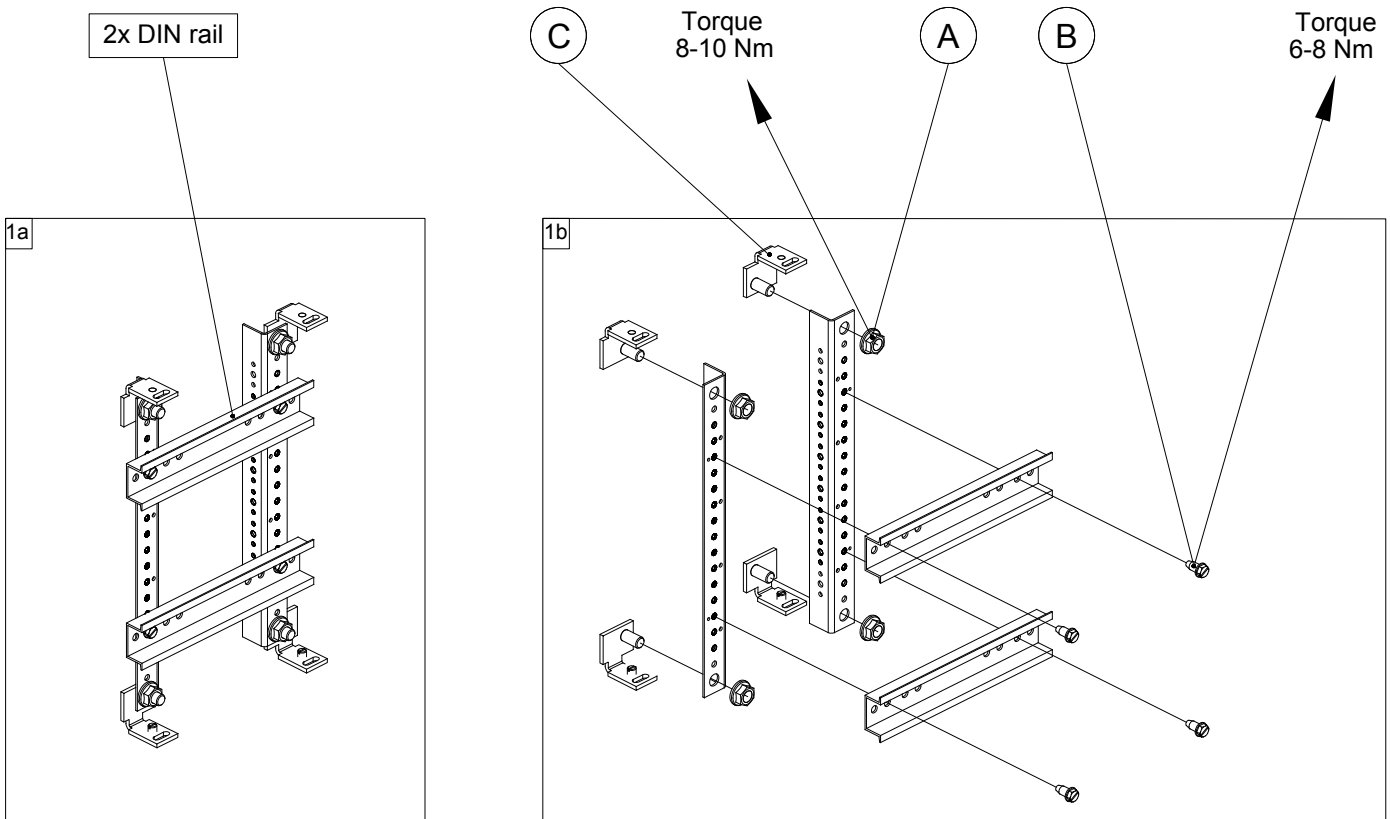
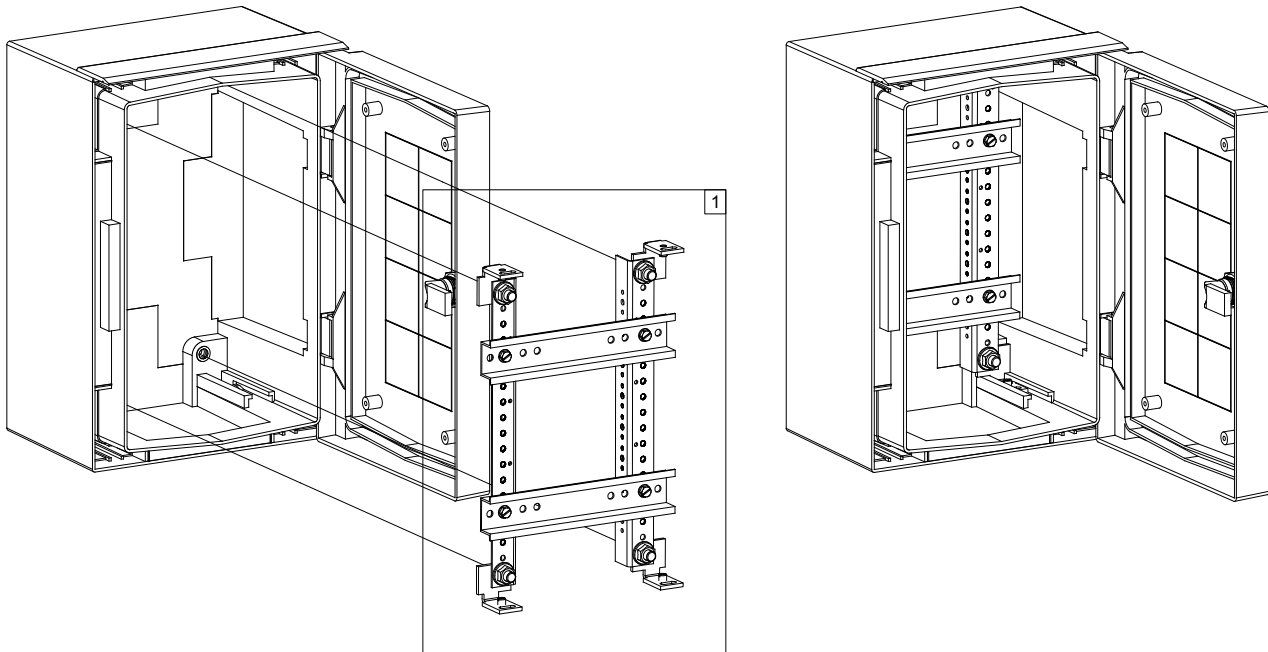




# UMF/UCD

## Mounting frame/Depth adjustment kit

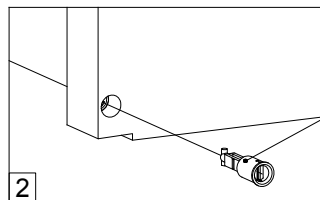
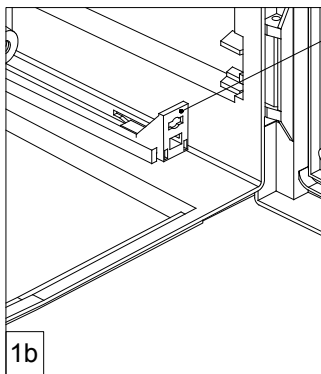
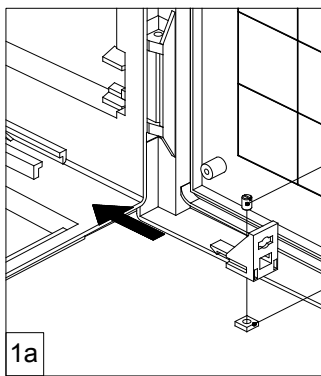
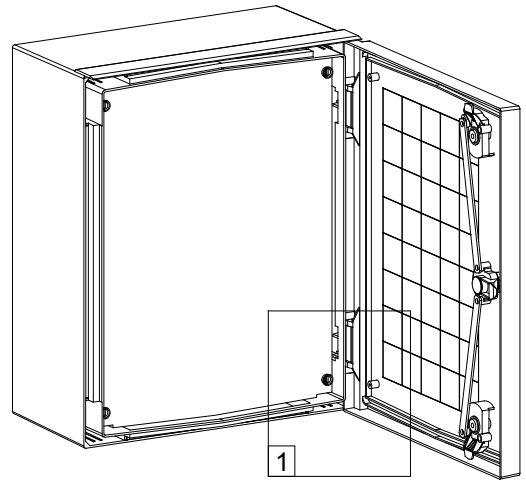
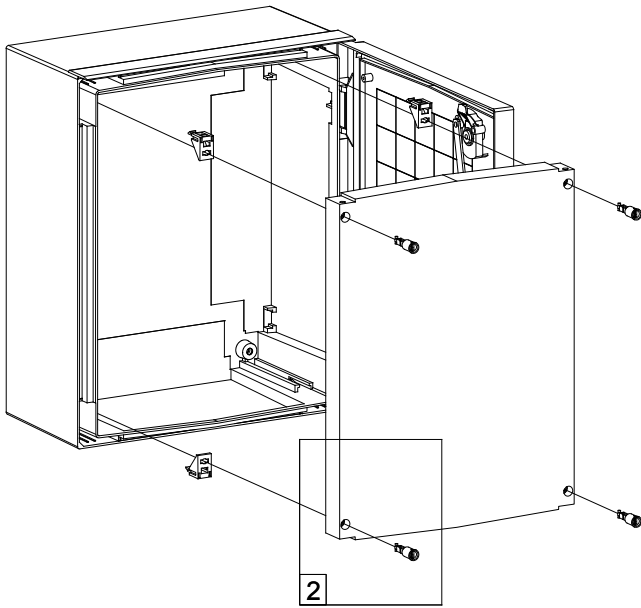
Ref.	Pic.	Qty.
A	 M8	4
B	 M6x12	4
C	 UCD	4





# UFCP Cover plate

Ref.	Pic.	Qty.
A		4
B		4
C		4
D		4



Plain full cover plate

Cover plate with DIN cut-out

