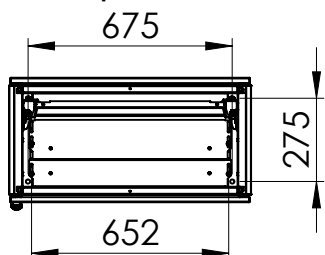
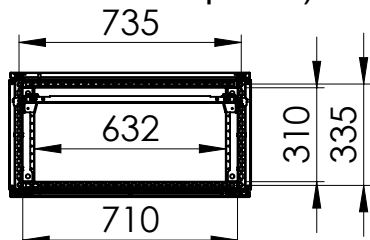


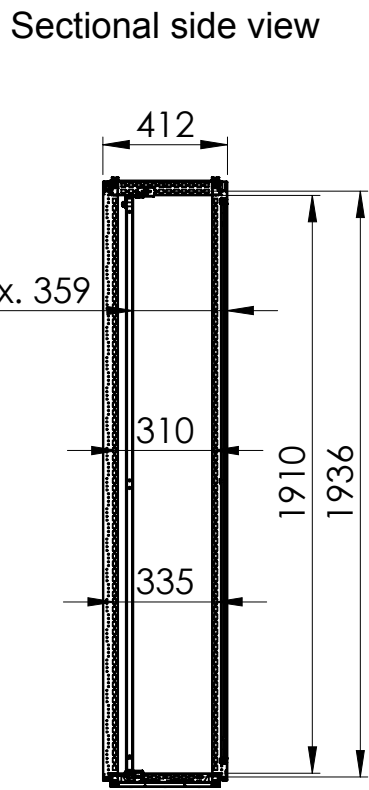
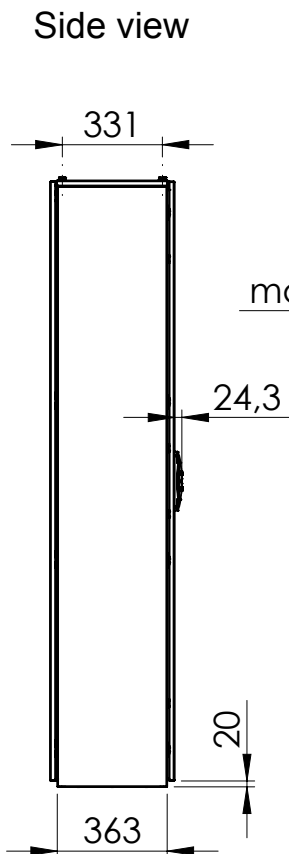
Top view



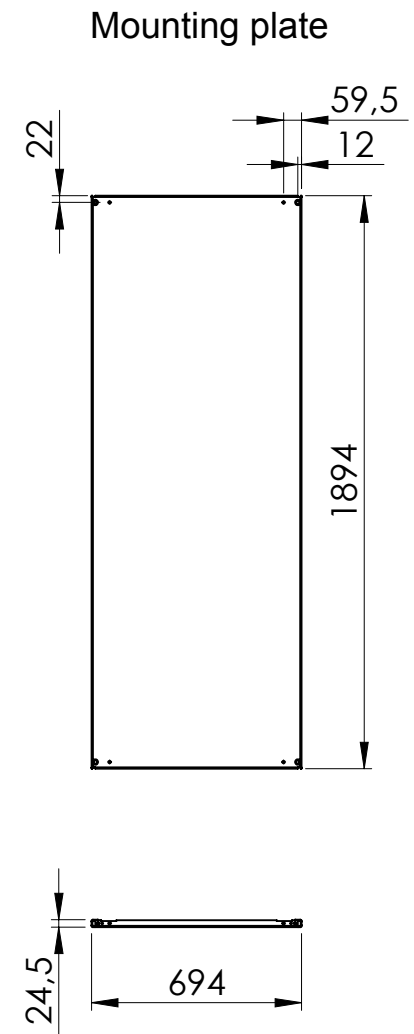
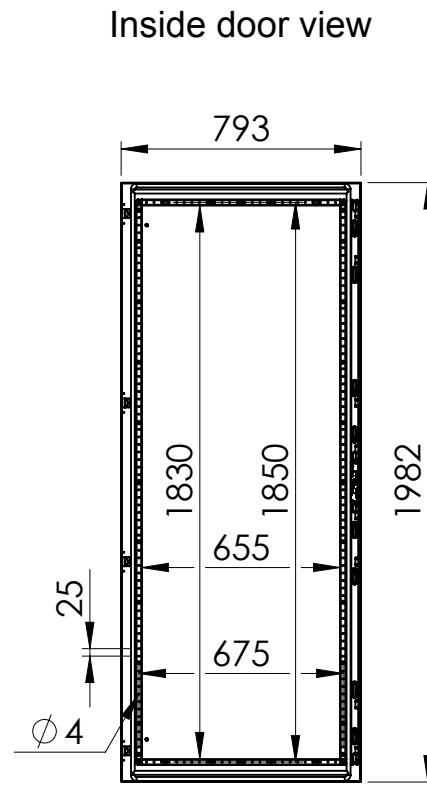
Sectional top view (without bottom plates)



SECTION B-B



SECTION A-A



Drawn by : bvbura	Date: 02-12-2018	Finish : RAL7035	SCALE:1:25	General tolerances according to Norm ISO 2768-1		
Checked by : mdrojo	Date : 02-12-2018					
Revision : 01				Fine	Medium	Coarse
		Floor Standing, Mild steel compact version, single door enclosure		Reference number : MKS20084R5 MKS20084PER5		A4
		2000 mm x 800 mm x 400 mm				
Page 1/1						