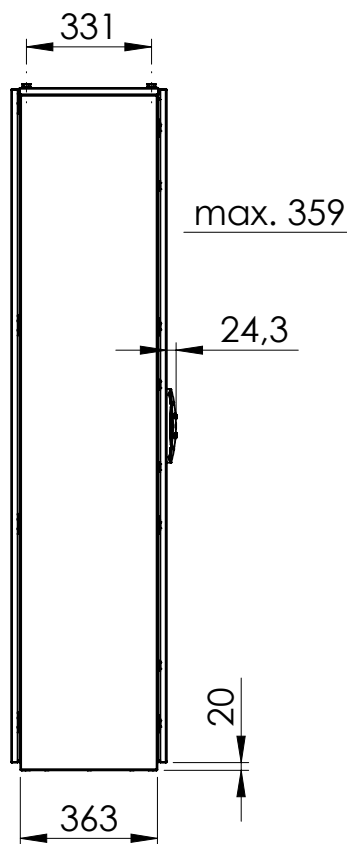
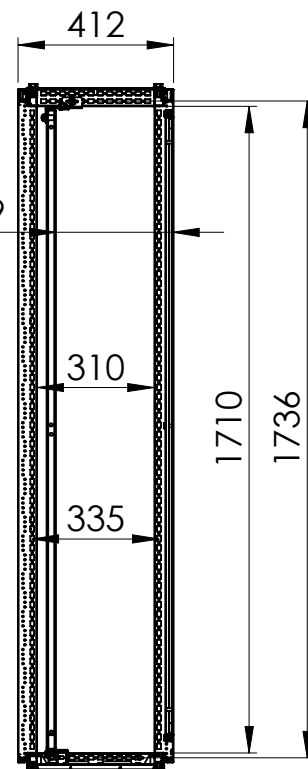


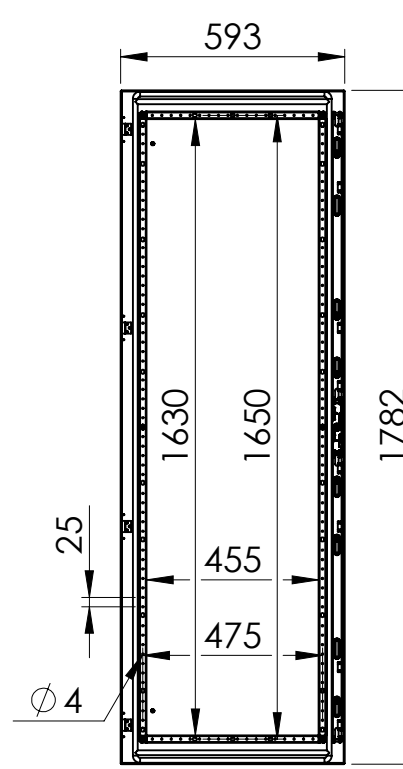
Side view



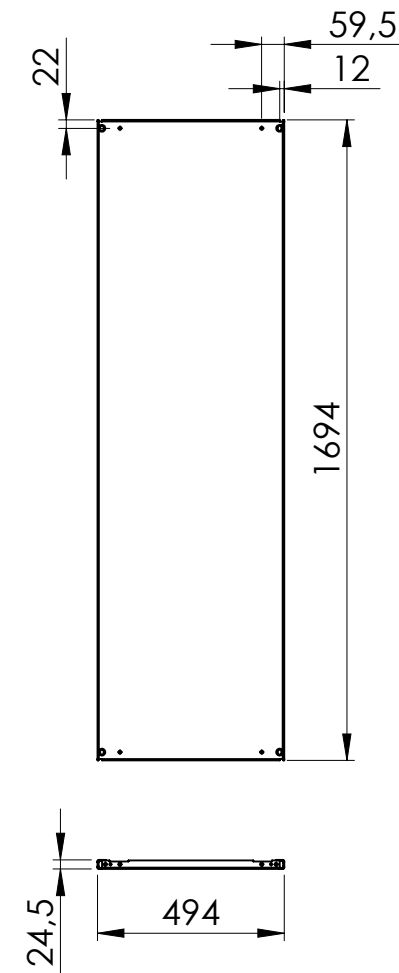
Sectional side view



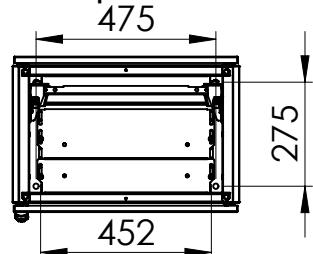
Inside door view



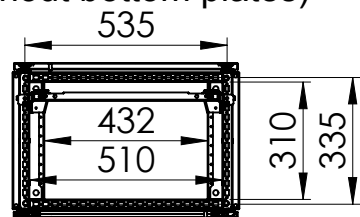
Mounting plate



Top view



Sectional top view (without bottom plates)



Drawn by : bvbura	Date: 02-12-2018	Finish : RAL7035	SCALE:1:20	General tolerances according to Norm ISO 2768-1		
Checked by : mdrojo	Date : 02-12-2018					
Revision : 01				Fine	Medium	Coarse
		Floor Standing, Mild steel compact version, single door enclosure		Reference number : MKS18064R5 MKS18064PER5		
		1800 mm x 600 mm x 400 mm				A4
				Page 1/1		