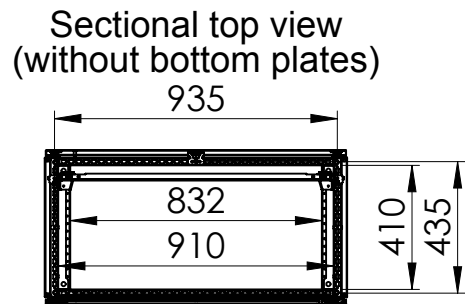
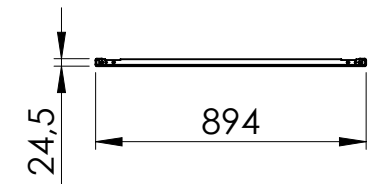
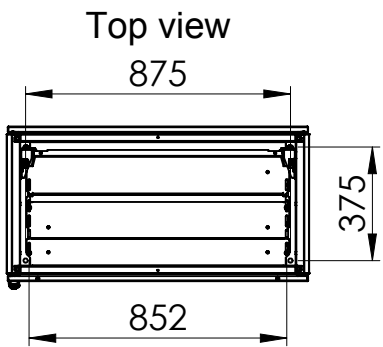


SECTION A-A



SECTION B-B

Drawn by : bvbura	Date: 02-12-2018	Finish : RAL7035	SCALE:1:25	General tolerances according to Norm ISO 2768-1		
Checked by : mdrojo	Date : 02-12-2018					
Revision : 01				Fine	Medium	Coarse
		Floor Standing, Mild steel compact version, single door enclosure		Reference number : MKS16105R5 MKS16105PER5		
		1600 mm x 1000 mm x 500 mm				
				A4		
				Page 1/1		