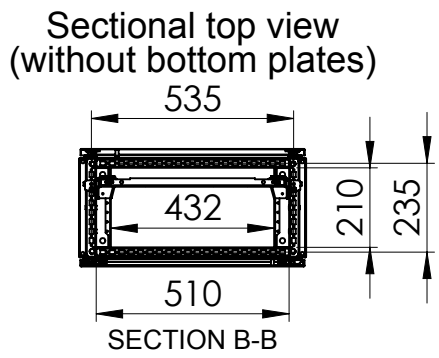
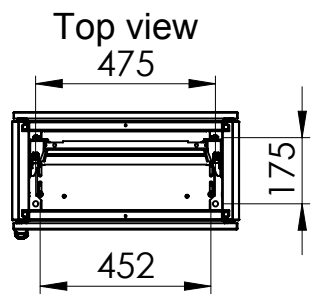
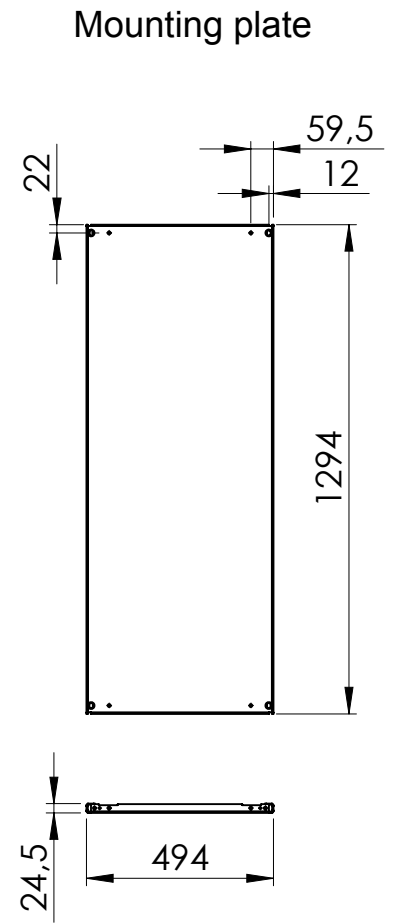
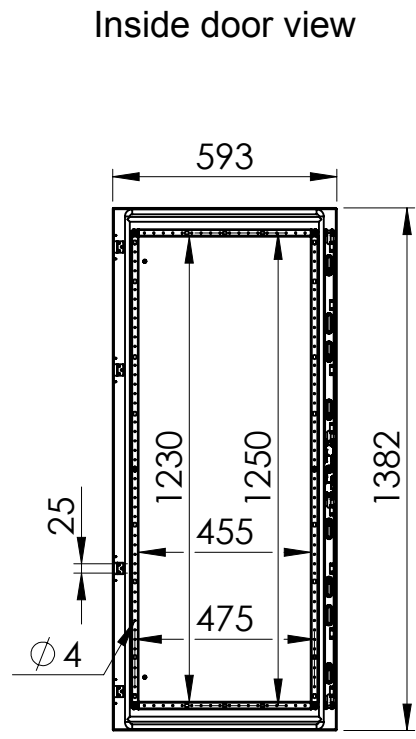


SECTION A-A



Drawn by : bvbura	Date: 02-12-2018	Finish : RAL7035	SCALE:1:20	General tolerances according to Norm ISO 2768-1		
Checked by : mdrojo	Date : 02-12-2018					
Revision : 01				Fine	Medium	Coarse
		Floor Standing, Mild steel compact version, single door enclosure		Reference number :		
		1400 mm x 600 mm x 300 mm		MKS14063R5 MKS14063PER5		
				Page 1/1		

A4