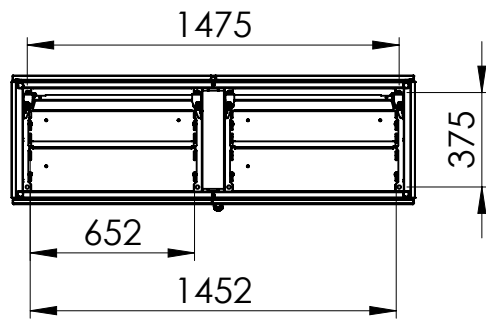
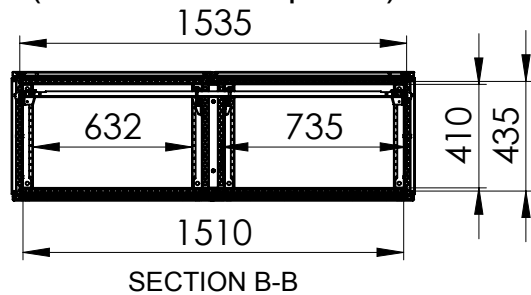


Top view

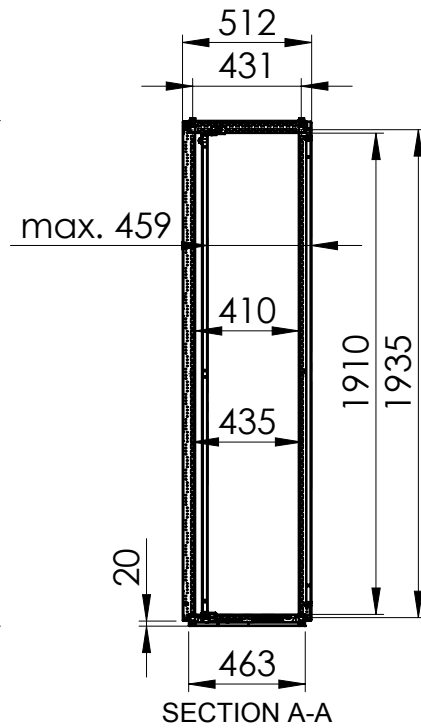


Sectional top view (without bottom plates)



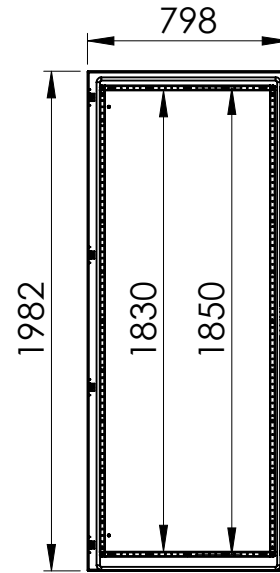
SECTION B-B

Sectional side view

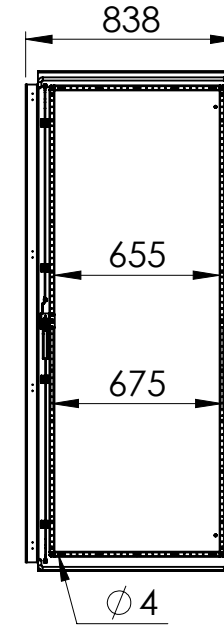


SECTION A-A

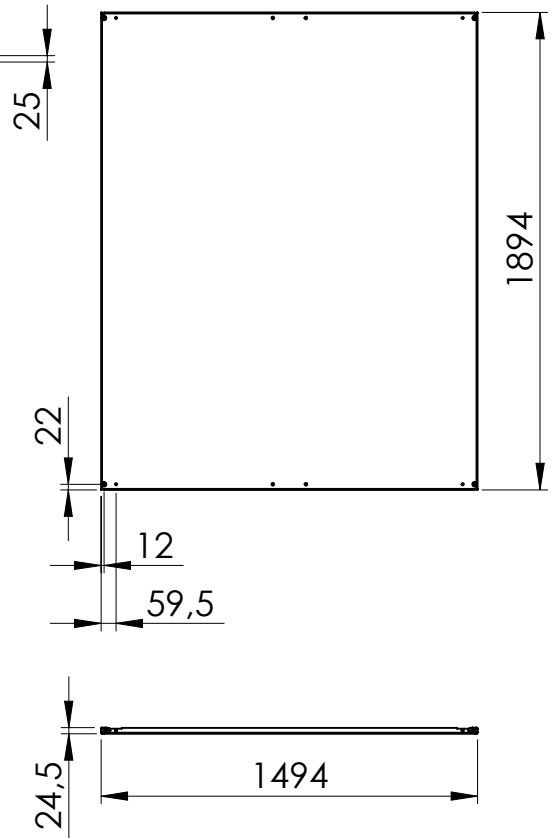
Inside right door view



Inside left door view



Mounting plate view



Drawn by : bvbura	Date: 02-13-2018	Finish : RAL7035	SCALE:1:30	General tolerances according to Norm ISO 2768-1		
Checked by : mdrojo	Date : 02-13-2018					
Revision : 01				Fine	Medium	Coarse
		Floor Standing, Mild steel compact version, double door enclosure		Reference number :		
		2000 mm x 1600 mm x 500 mm		MKD20165R5 MKD20165PER5		
				A4		
				Page 1/1		