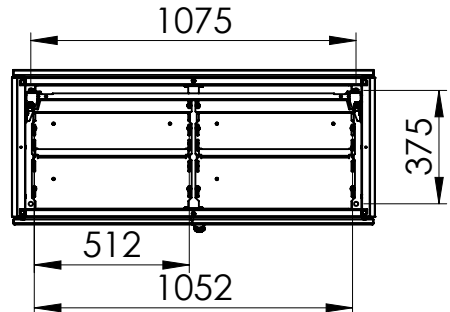
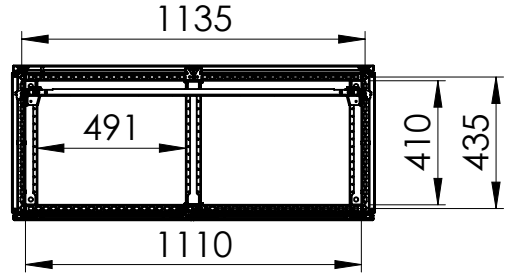


Top view

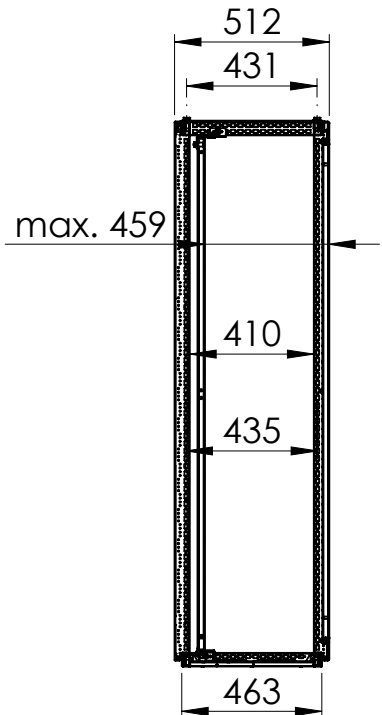


Sectional top view (without bottom plates)



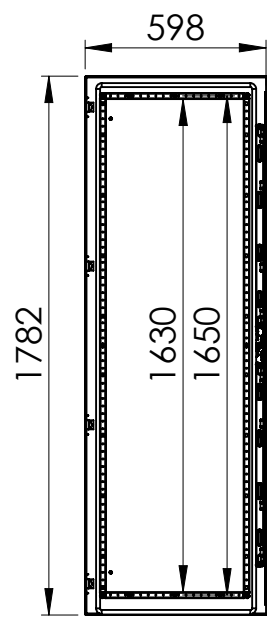
SECTION B-B

Sectional side view

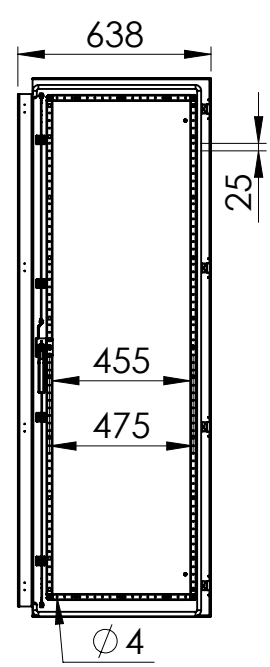


SECTION A-A

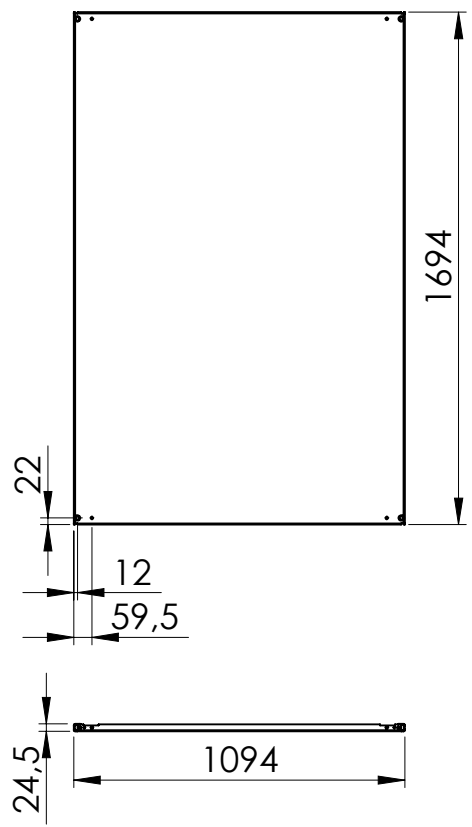
Inside right door view



Inside left door view



Mounting plate



Drawn by : bvbura	Date: 02-13-2018	Finish : RAL7035	SCALE:1:25	
Checked by : mdrojo	Date : 02-13-2018			
Revision : 01				
	Floor Standing, Mild steel compact version, double door enclosure		Reference number : MKD18125R5 MKD18125PER5	
	1800 mm x 1200 mm x 500 mm			A4

General tolerances according to Norm ISO 2768-1		
Fine	Medium	Coarse
Page 1/1		