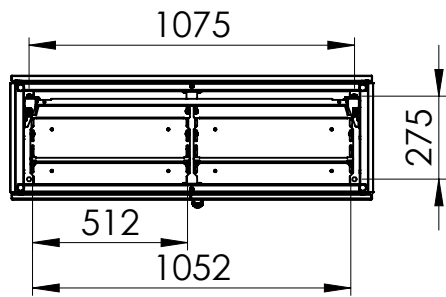
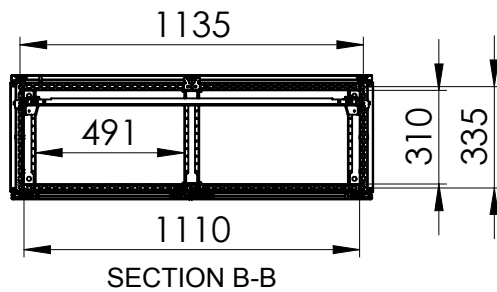


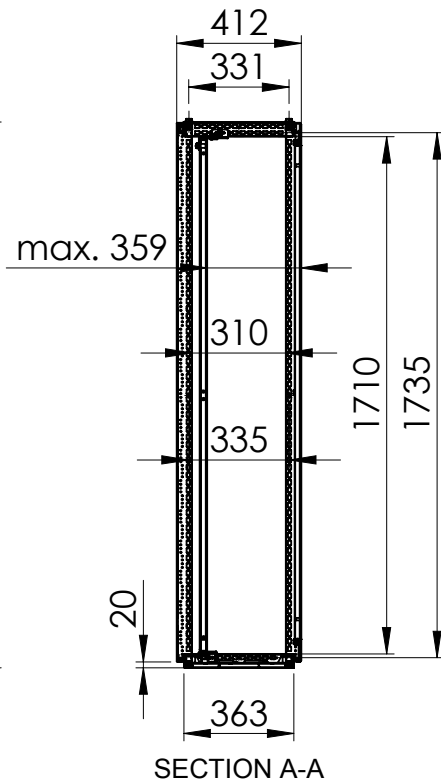
Top view



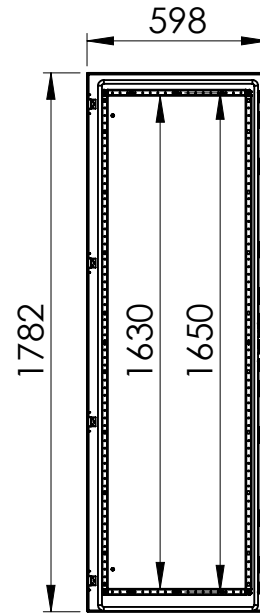
Sectional top view (without bottom plates)



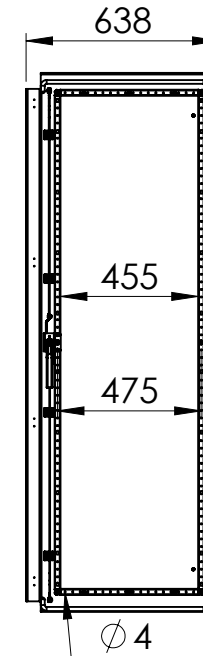
Sectional side view



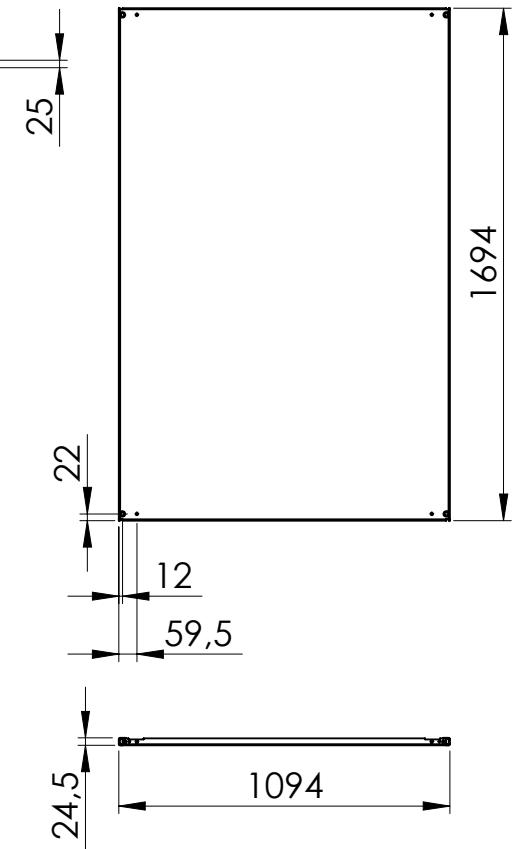
Inside right door view



Inside left door view



Mounting plate view



Drawn by : bvbura	Date: 02-13-2018	Finish : RAL7035	SCALE:1:25	General tolerances according to Norm ISO 2768-1		
Checked by : mdrojo	Date : 02-13-2018					
Revision : 01				Fine	Medium	Coarse
		Floor Standing, Mild steel compact version, double door enclosure		Reference number : MKD18124R5 MKD18124PER5		A4
		1800 mm x 1200 mm x 400 mm				
				Page 1/1		