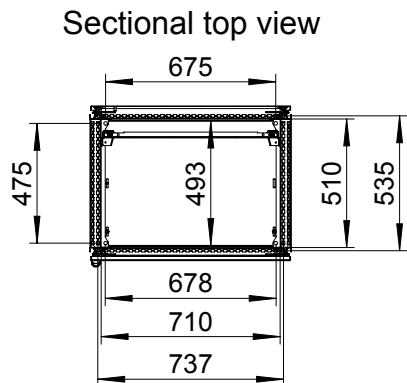
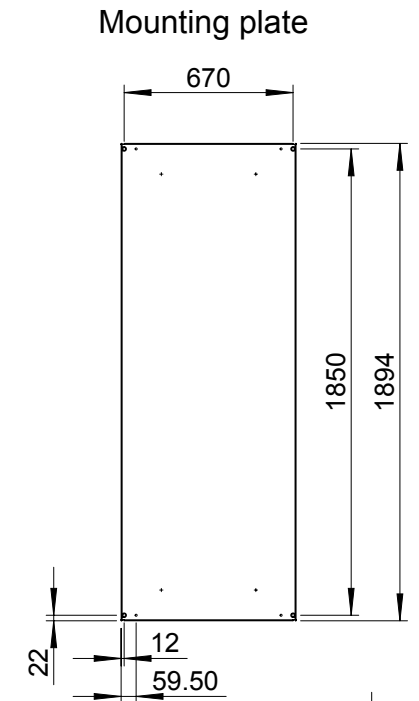
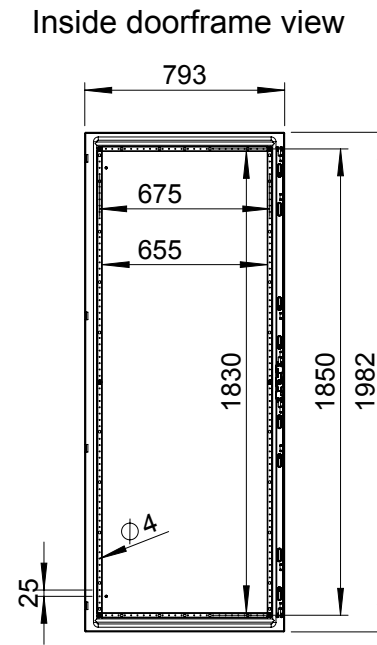
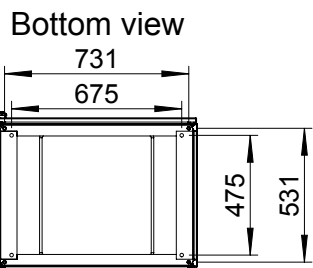
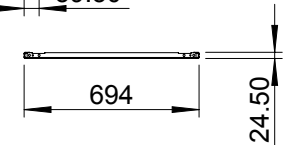
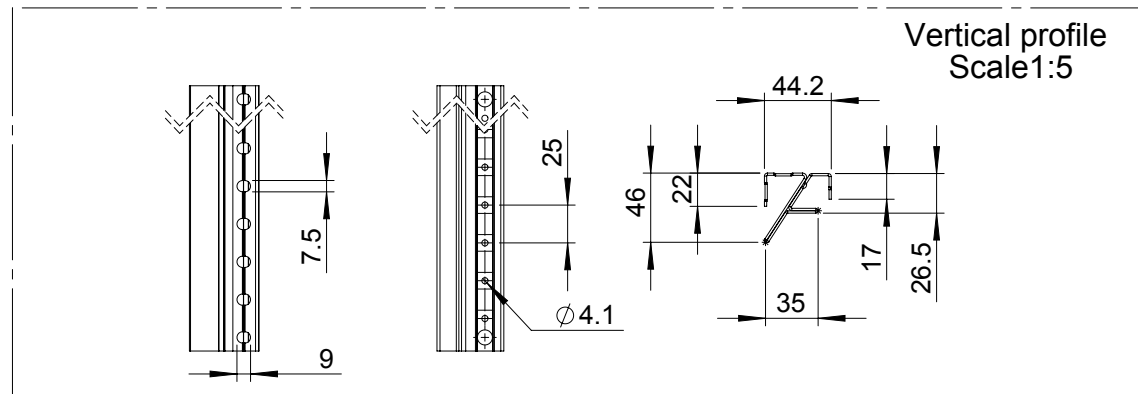


SECTION A-A



SECTION B-B



Drawn by : bvduda1

Date: 24-08-2017

SCALE:1:30

Checked by : mdrojo

Date: 24-08-2017



General tolerances according to Norm ISO 2768-1

Revision : 01

Fine

Medium

Coarse



Floor Standing, Stainless steel combinable version, single door enclosure

2000 mm x 800 mm x 600 mm

Reference number :

MCSS20086

MCSS20086-316

A4