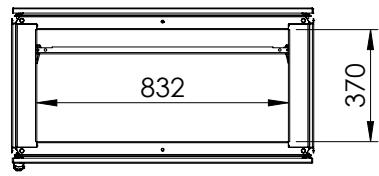
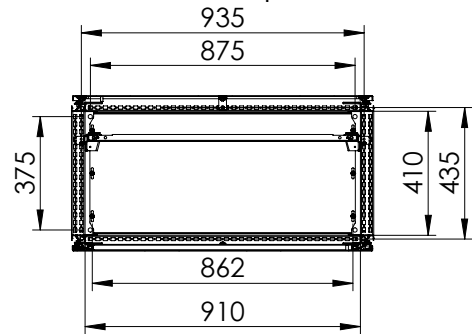


Top view

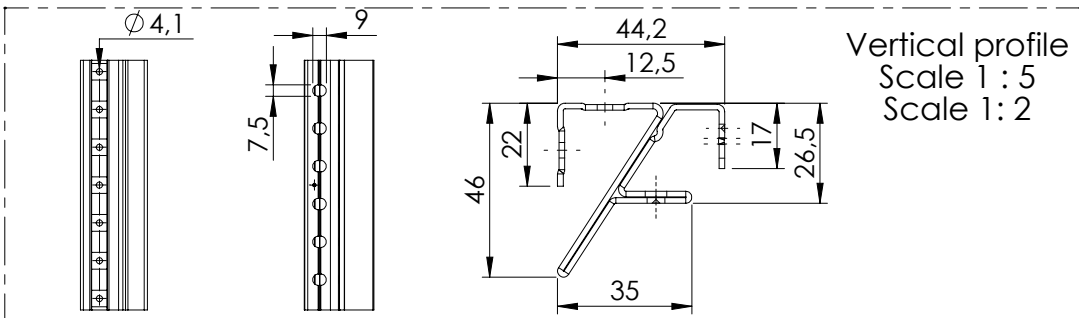


Sectional top view



SECTION A-A

SECTION B-B



Drawn by : bvduda1

Date: 23-08-2017

Finish : RAL7035

SCALE:1:25

Checked by : mdrojo

Date: 23-08-2017



General tolerances according to Norm ISO 2768-1

Revision : 01

Fine Medium Coarse



Floor standing, Mild steel combinable version,
Single door enclosure

Reference number :
MCSS18105
MCSS18105-316

A4

1800 mm x 1000 mm x 500 mm