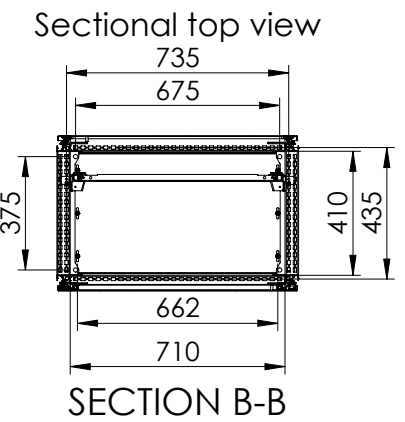


Vertical profile
Scale 1 : 5
Scale 1 : 2



Drawn by : bvduda1	Date: 23-08-2017	Finish : RAL7035	SCALE:1:25
Checked by : mdrojo	Date: 23-08-2017		

General tolerances according to Norm ISO 2768-1

Revision : 01

Fine	Medium	Coarse
------	--------	--------



Floor standing, Mild steel combinable version,
Single door enclosure
1800 mm x 800 mm x 500 mm

Reference number :
MCSS18085
MCSS18085-316

A4