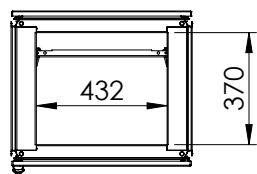
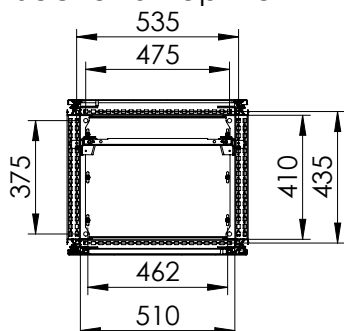


Front view

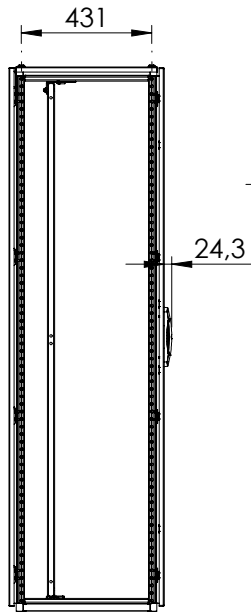


Top view

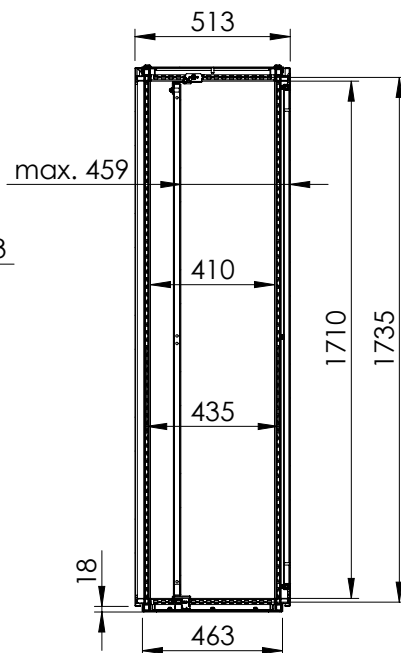


Sectional top view

Side view

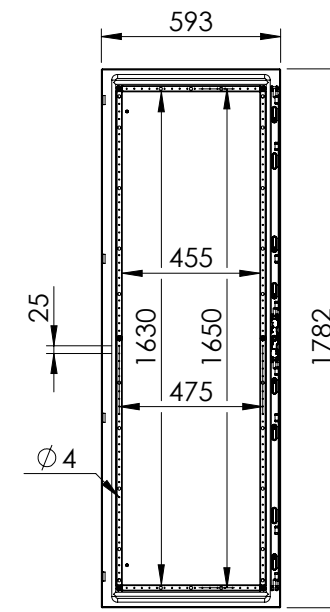


Sectional side view

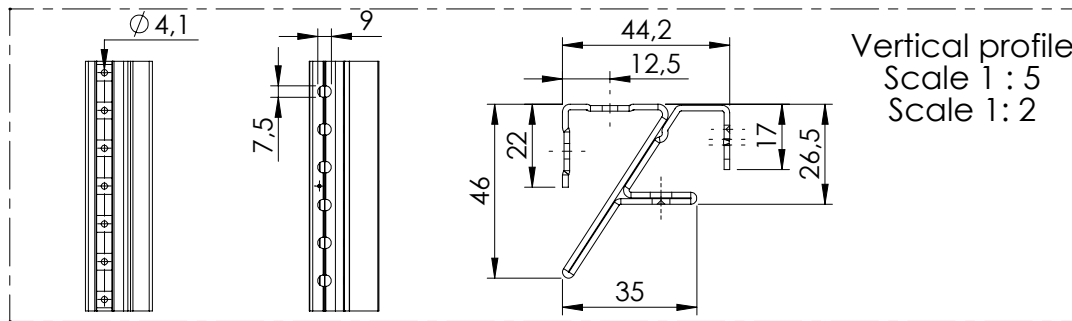
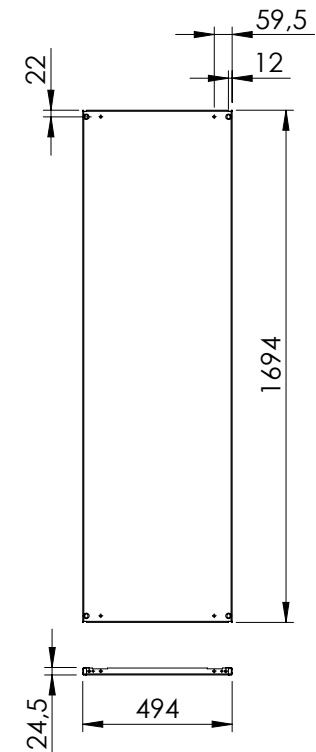


SECTION A-A

Inside doorframe view



Mounting plate



Vertical profile
Scale 1 : 5
Scale 1 : 2

Drawn by : bvduda1	Date: 23-08-2017	Finish : RAL7035	SCALE:1:25	General tolerances according to Norm ISO 2768-1		
Checked by : mdrojo	Date: 23-08-2017					
Revision : 01				Fine	Medium	Coarse
			Floor standing, Mild steel combinable version, Single door enclosure		Reference number : MCSS18065 MCSS18065-316	A4
			1800 mm x 600 mm x 500 mm			
					Page 1/1	