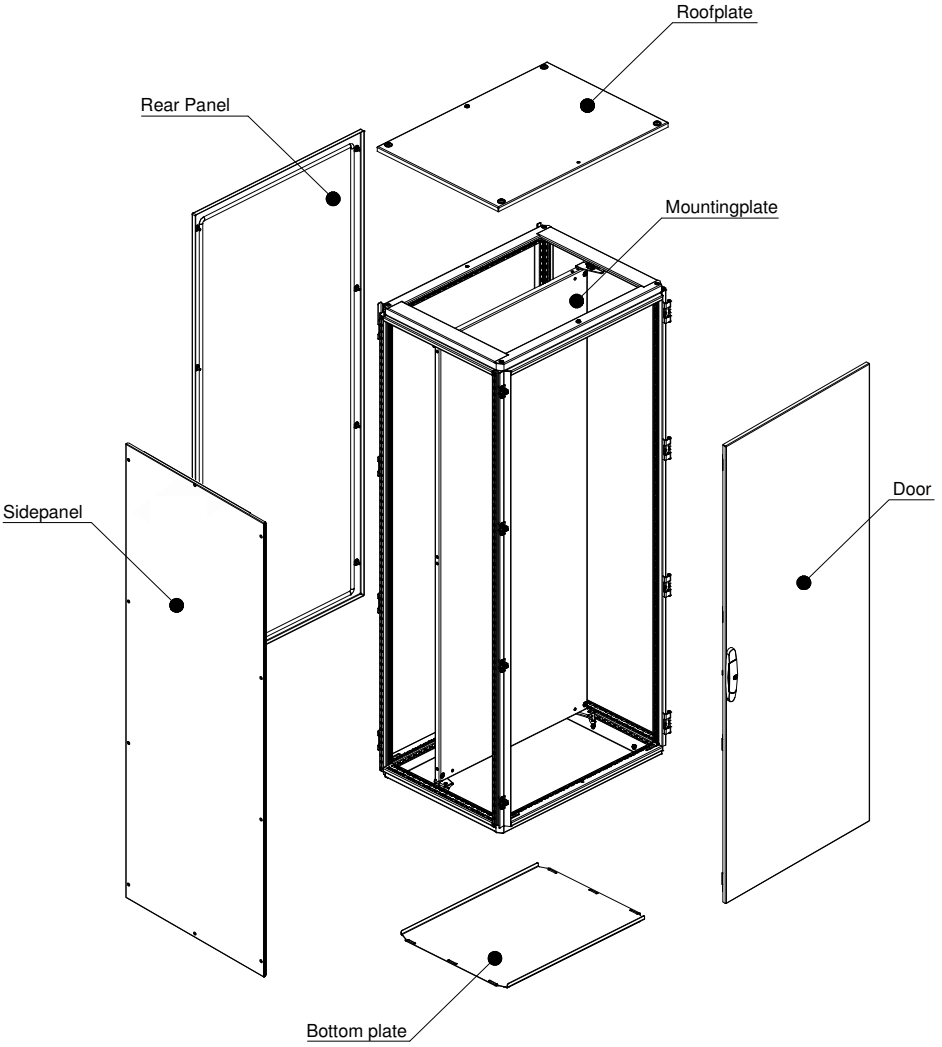


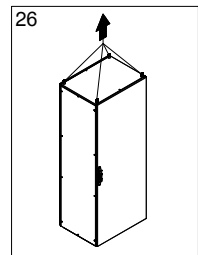
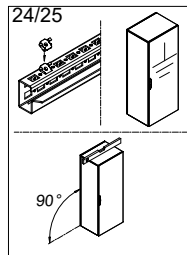
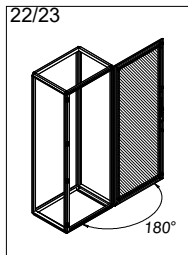
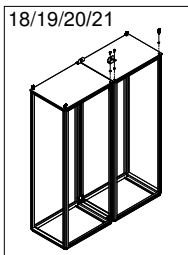
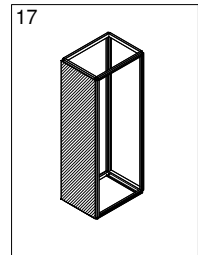
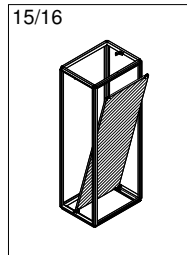
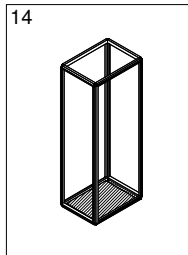
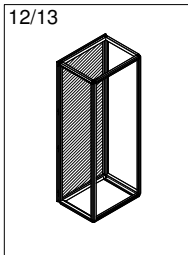
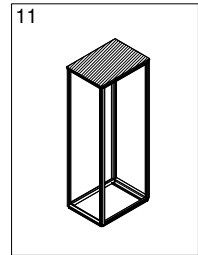
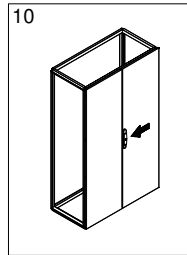
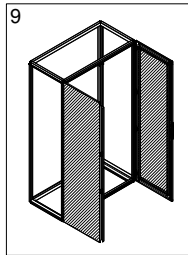
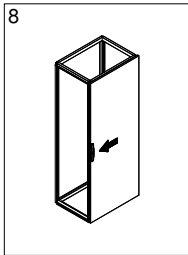
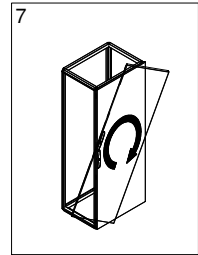
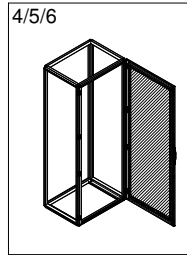
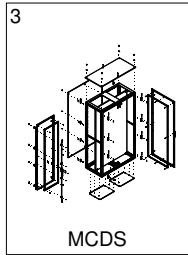
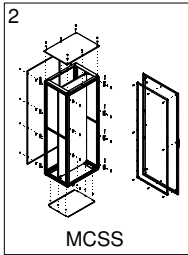
Floor standing enclosures
Combinable version
Stainless steel

MOUNTING INSTRUCTIONS

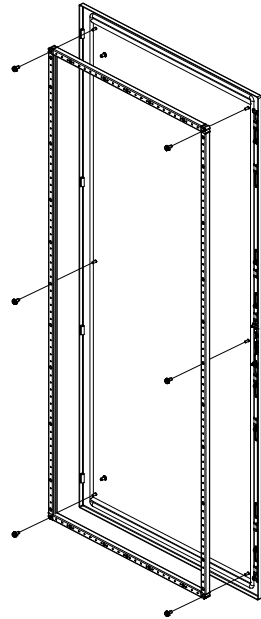
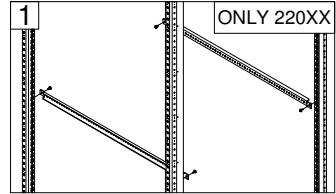
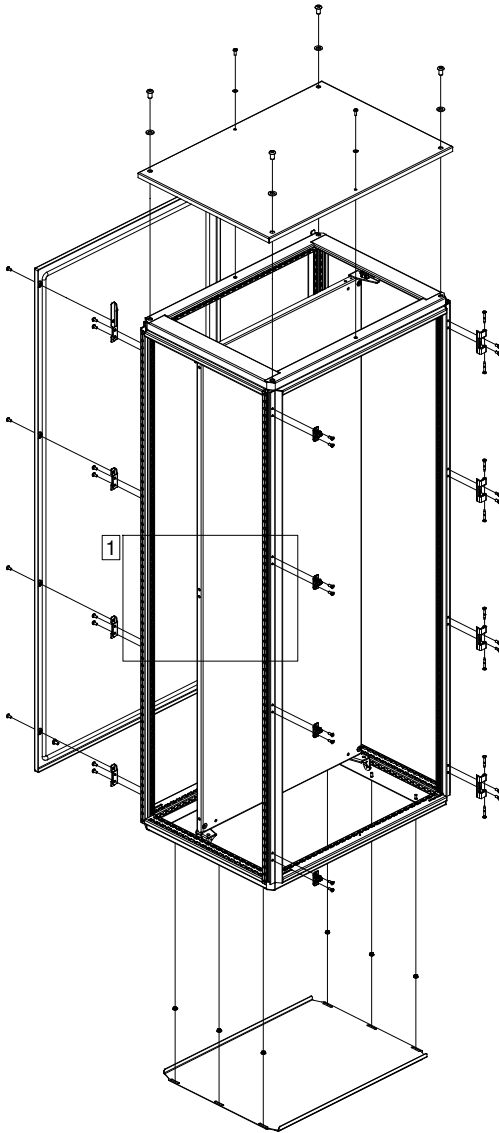
6885-0120-02 REV.9



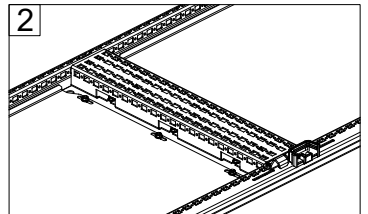
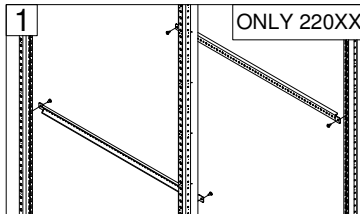
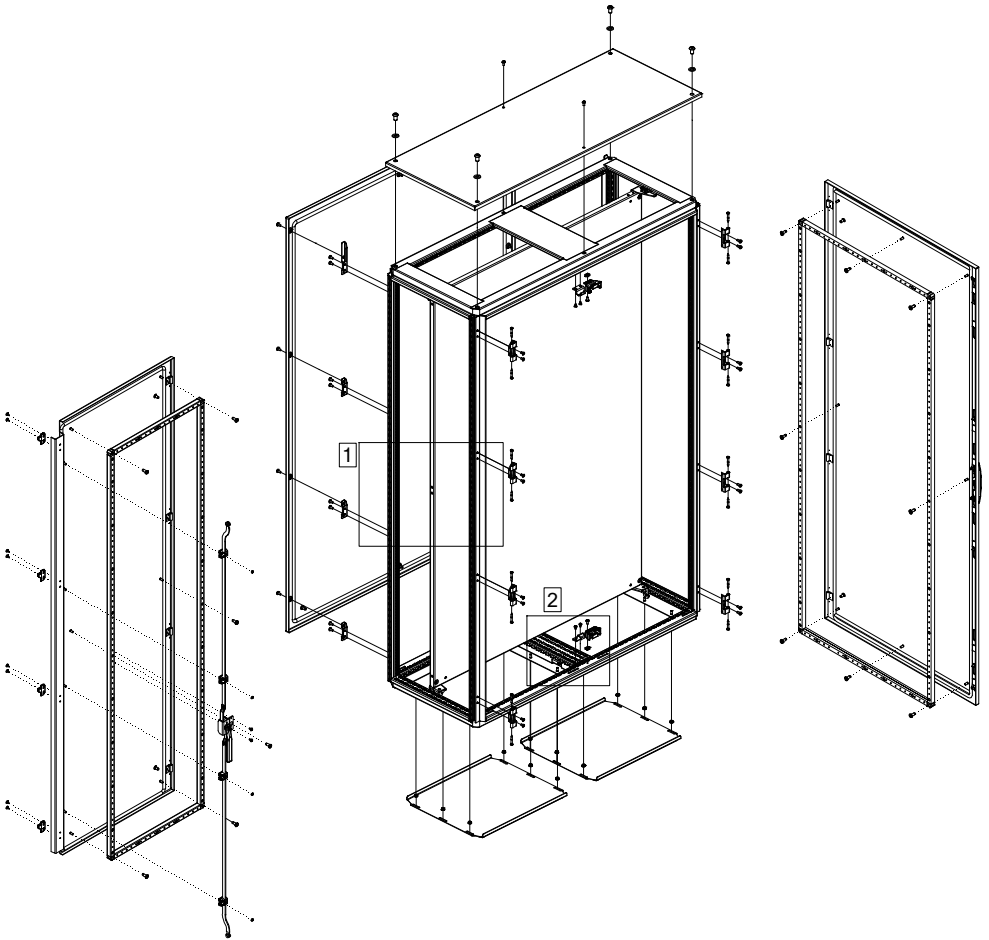




MCSS



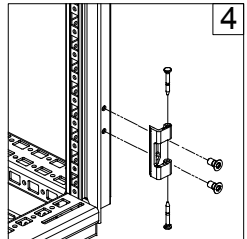
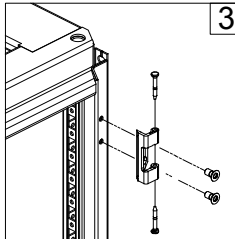
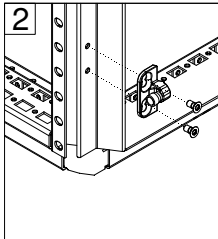
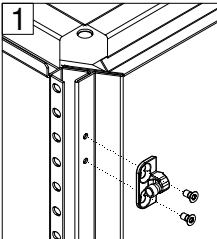
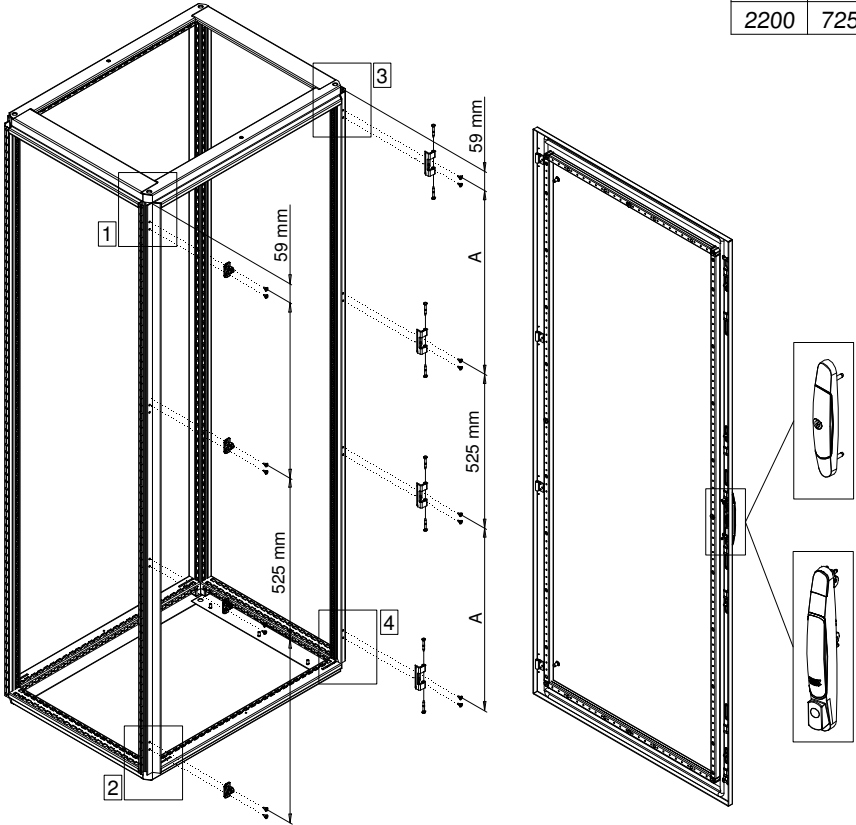
MCDS





COMBINABLE ENCLOSURE

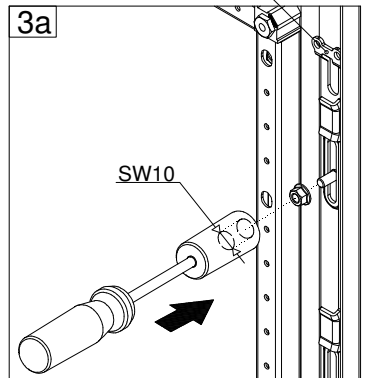
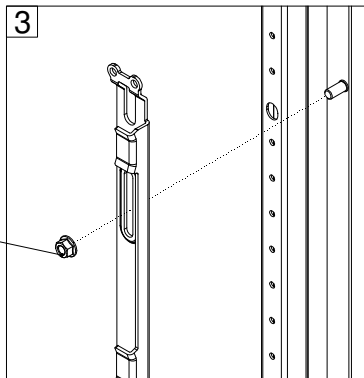
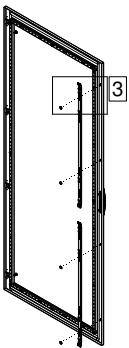
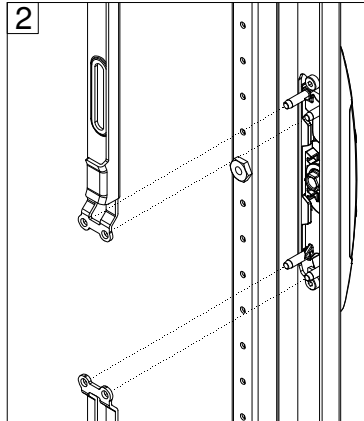
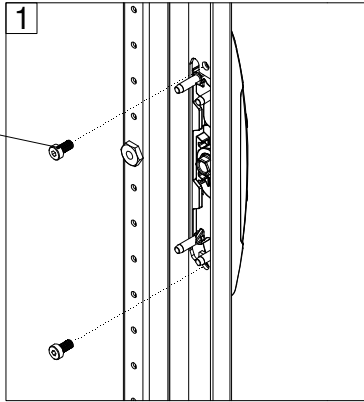
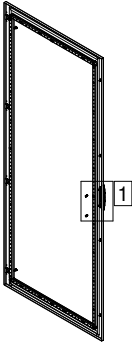


| H | A |
|------|-----|
| 1100 | 175 |
| 1400 | 325 |
| 1600 | 425 |
| 1800 | 525 |
| 2000 | 625 |
| 2200 | 725 |



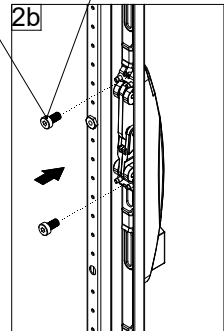
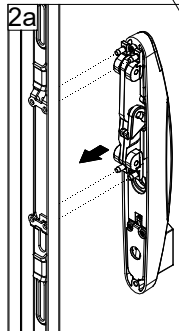
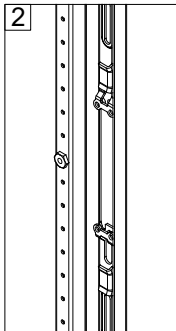
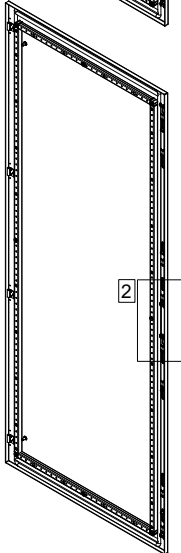
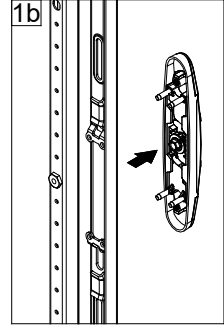
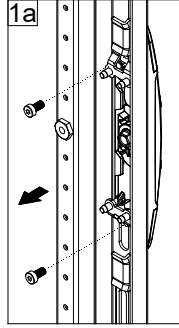
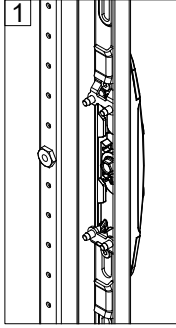
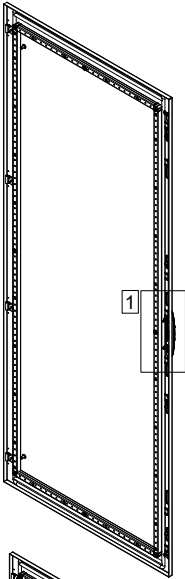


| Ref. | Pic. | Qty. |
|------|---|------|
| A |  M5x10 | 2 |
| B |  M5 | 4 |

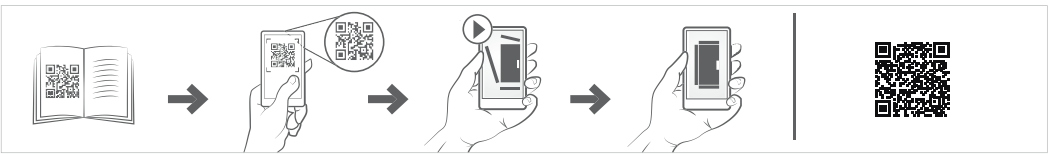




MOUNTING THE LIFT HANDLE

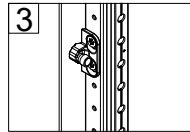
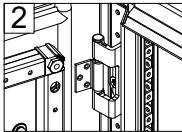
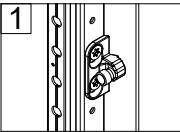
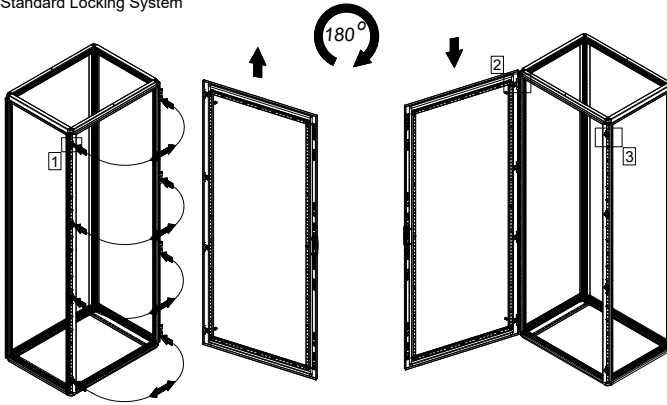


Torque
4-5.5 Nm

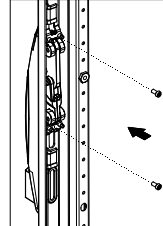
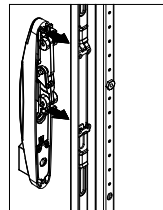
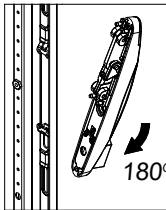
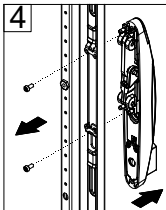
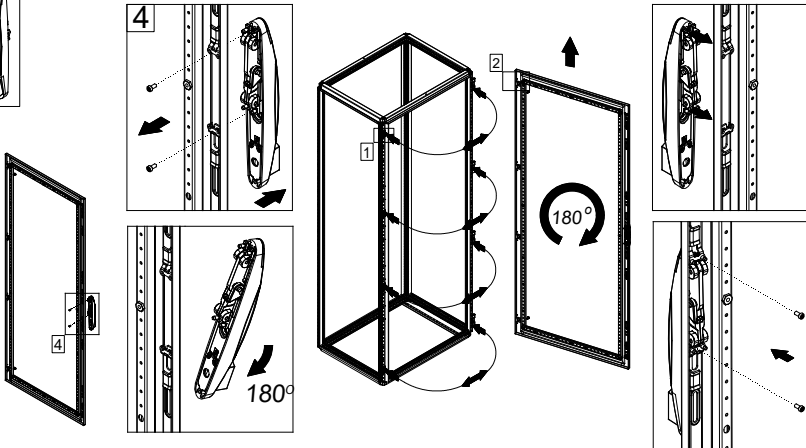




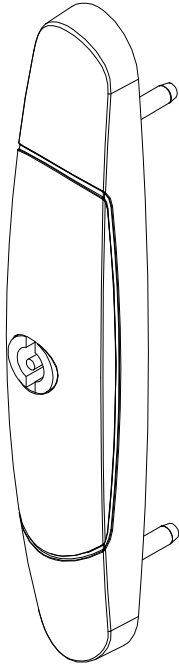
Standard Locking System



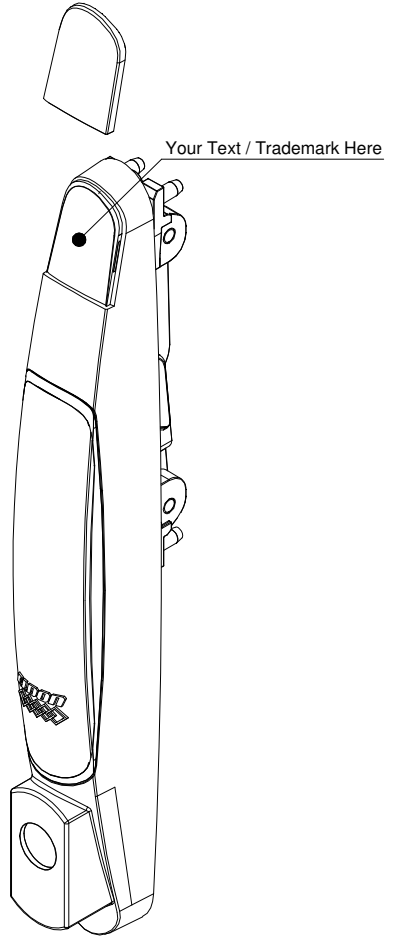
Lift Handle Locking System



Standard Locking System

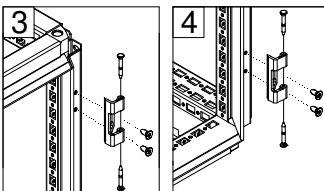
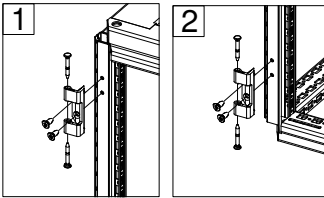
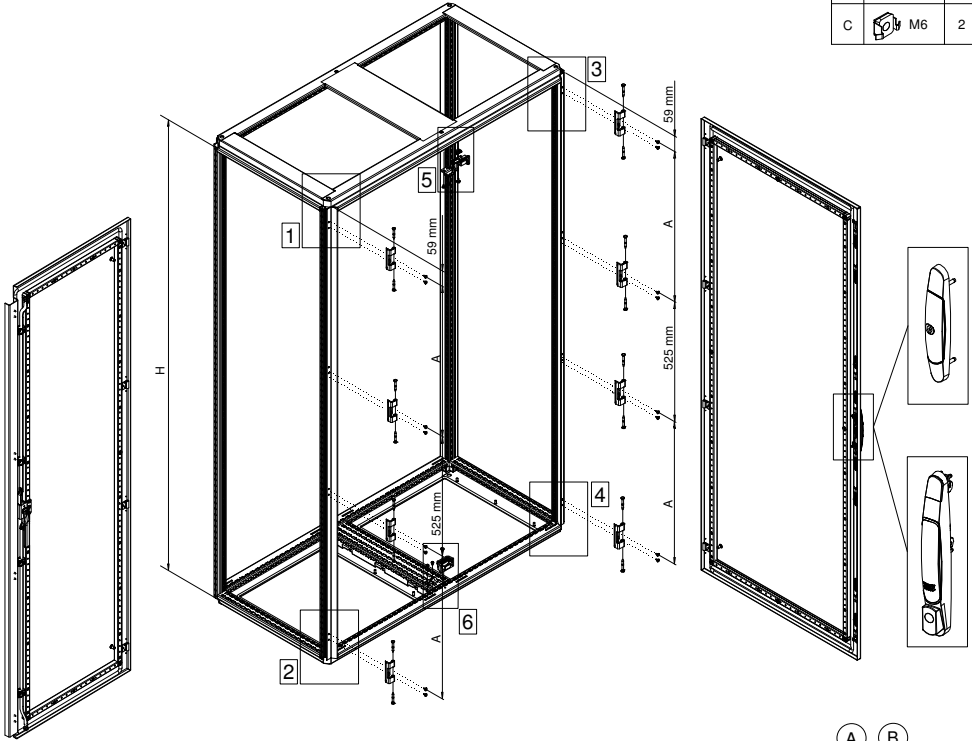


Lift Handle Locking System

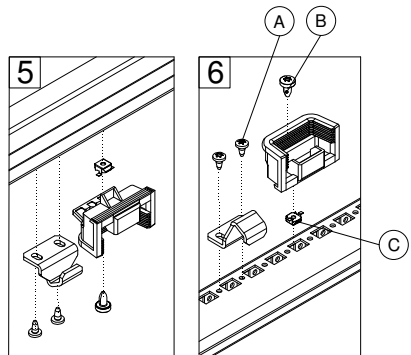




| Ref. | Pic. | Qty. |
|------|------|------|
| A | | 20 |
| B | | 2 |
| C | | 2 |



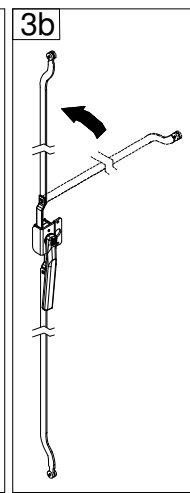
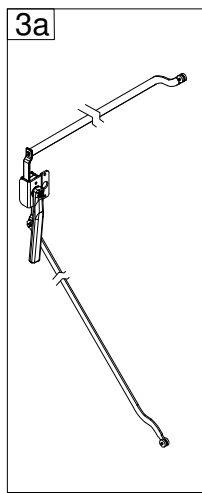
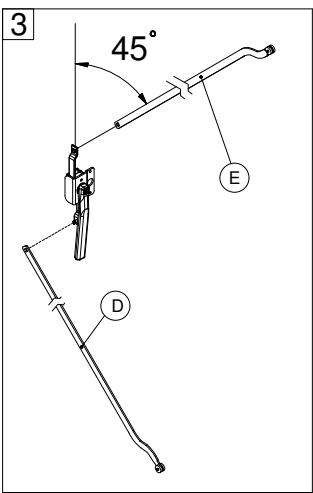
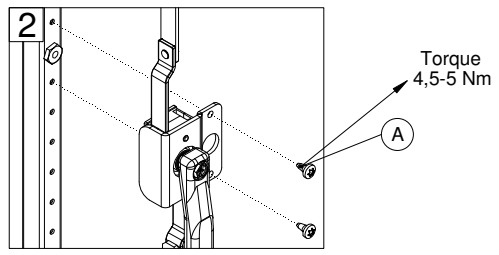
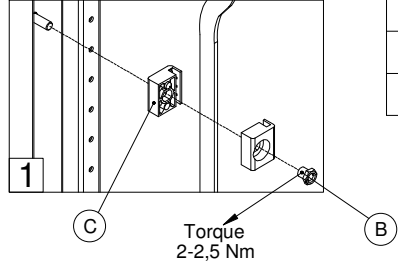
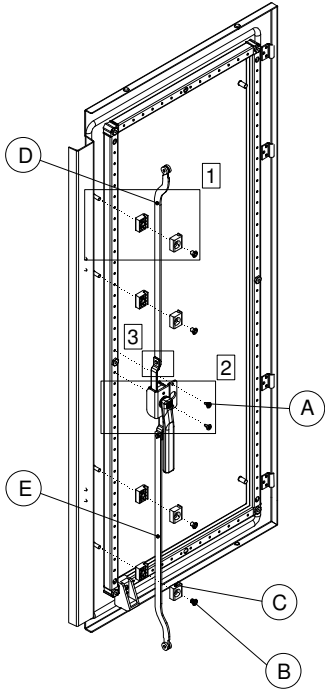
| H | A |
|------|-----|
| 1100 | 175 |
| 1400 | 325 |
| 1600 | 425 |
| 1800 | 525 |
| 2000 | 625 |
| 2200 | 725 |





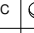
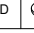
MOUNTING LSEL

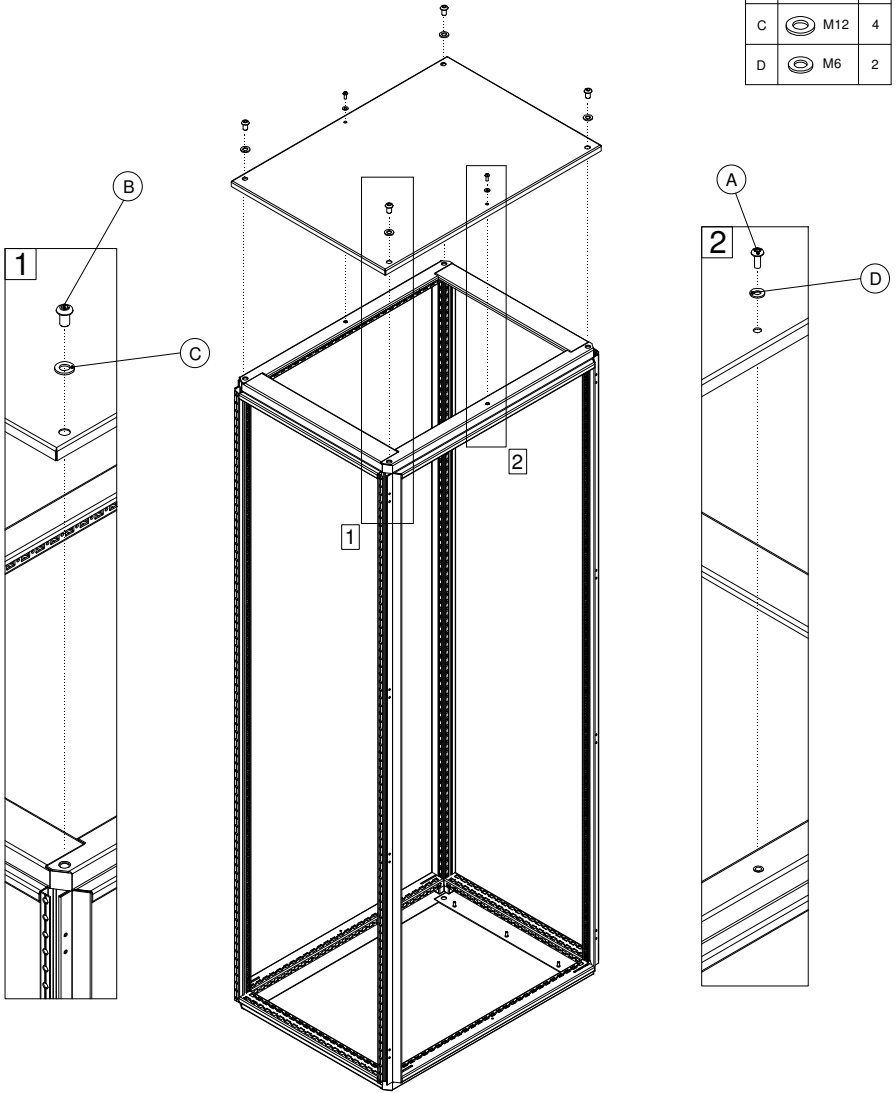


| Ref. | Pic. | Qty. |
|------|------|------|
| A | | 6 |
| B | | 4 |
| C | | 8 |
| D | | 1 |
| E | | 1 |





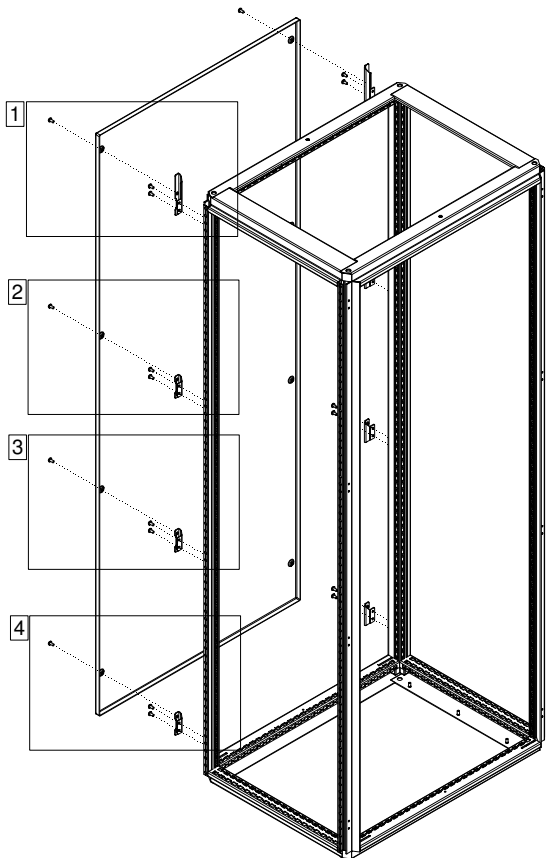
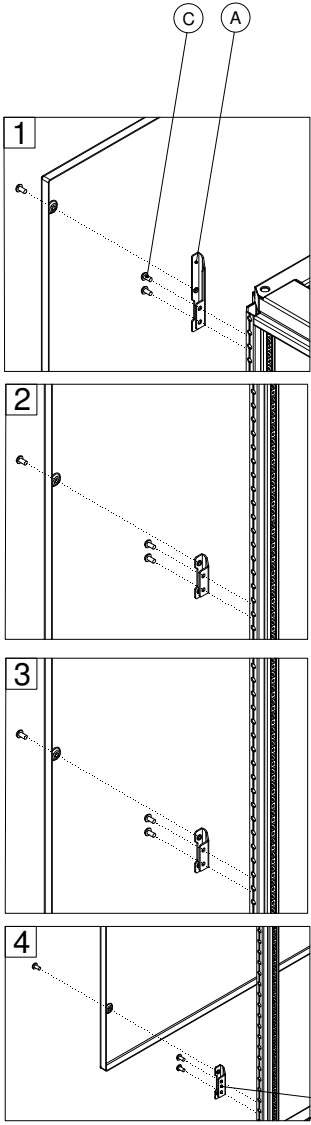
| Ref. | Pic. | Qty. |
|------|---|------|
| A |  M6x12 | 2 |
| B |  M6x12 | 8 |
| C |  M12 | 4 |
| D |  M6 | 2 |



MCSS REAR PANEL



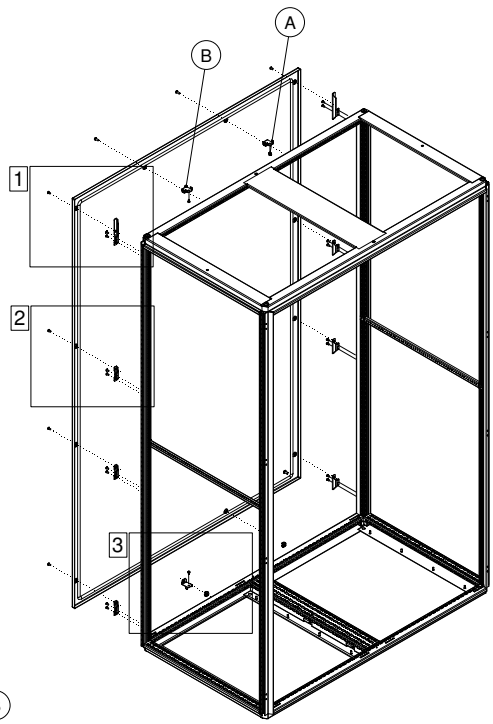
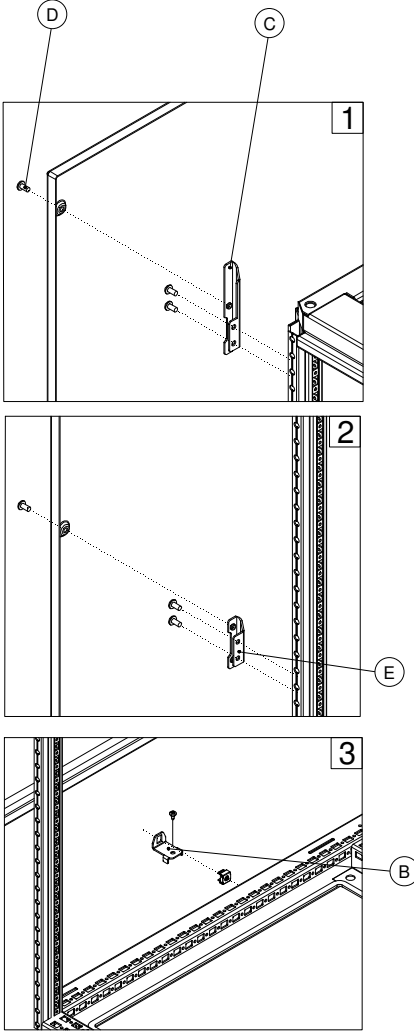
| Ref. | Pic. | Qty. |
|------|------|------|
| A | | 2 |
| B | | 6 |
| C | | 24 |





MCDS REAR PANEL

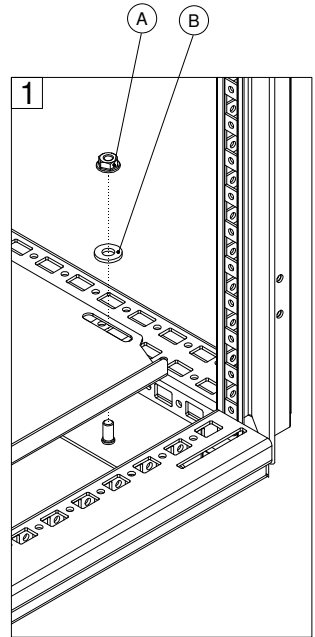
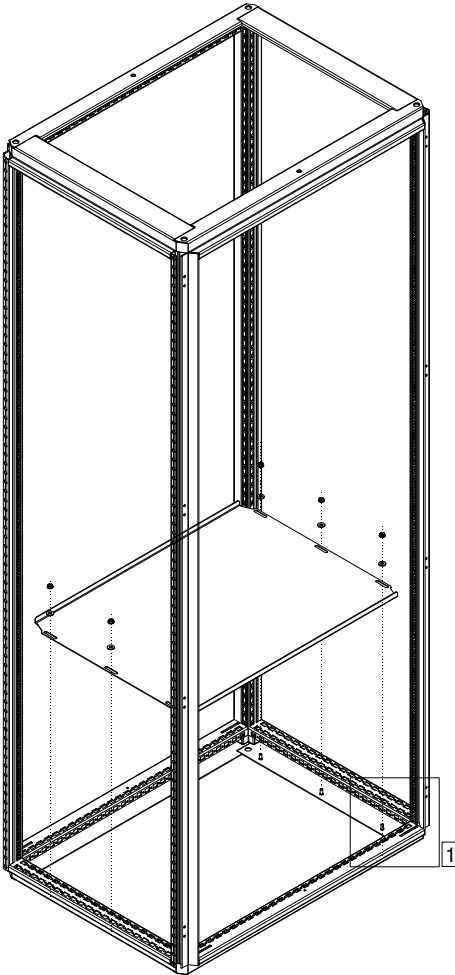


| Ref. | Pic. | Qty. |
|------|------|------|
| A | | 4 |
| B | | 4 |
| C | | 2 |
| D | | 32 |
| E | | 6 |



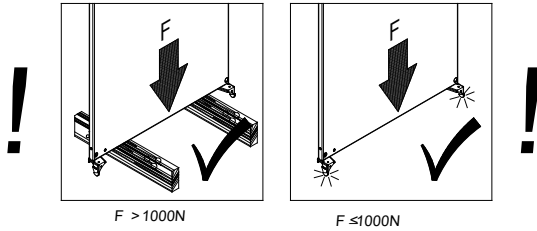
BOTTOM PLATE

| Ref. | Pic. | Qty. |
|------|--|------|
| A |  M6 | 6 |
| B |  M6 | 6 |

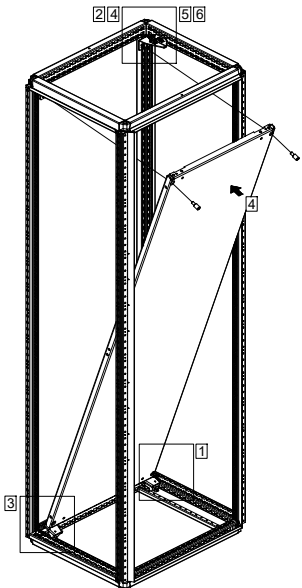
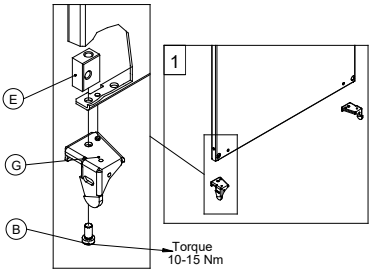




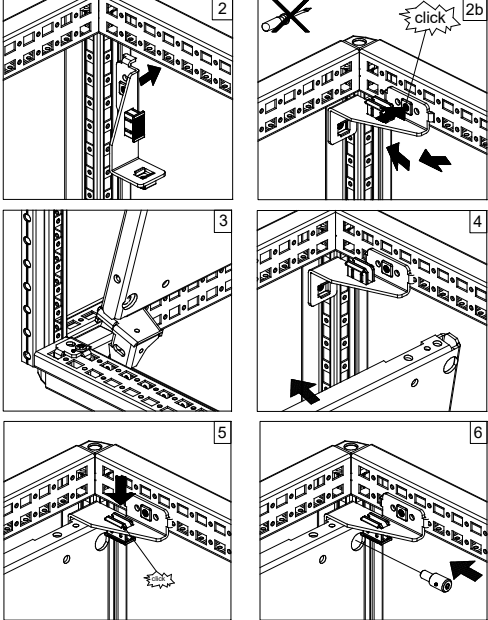
MOUNTING PLATE



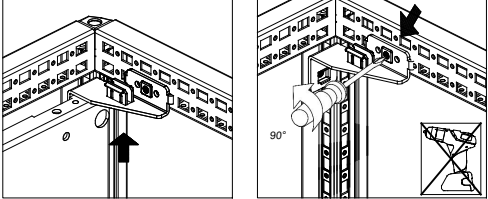
| Ref. | Pic. | Qty. |
|------|------|------|
| A | | 2 |
| B | | 2 |
| C | | 2 |
| D | | 1 |
| E | | 1 |
| F | | 1 |
| G | | 1 |



MOUNTING



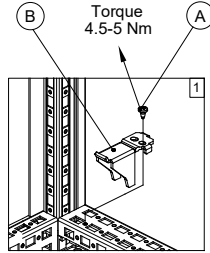
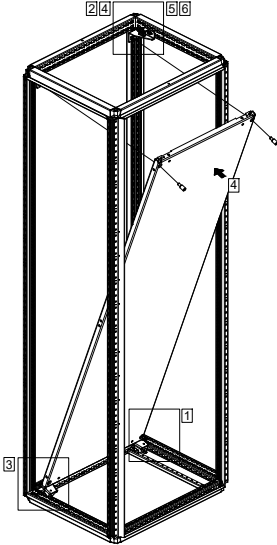
UNMOUNTING



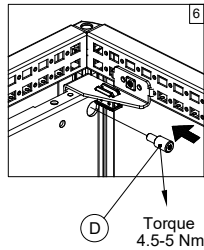
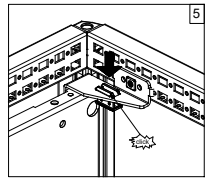
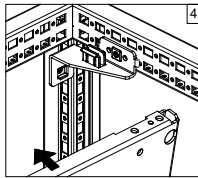
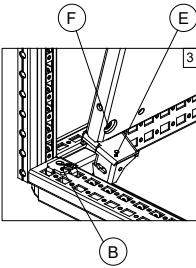
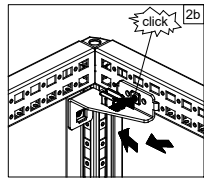
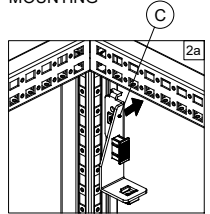
MPD02



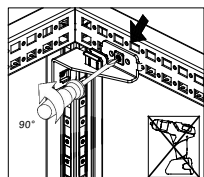
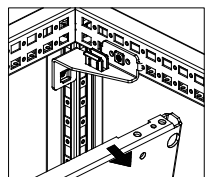
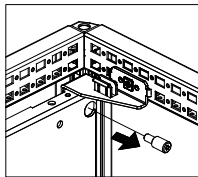
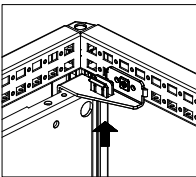
| Ref. | Pic. | Qty. |
|------|--------------|------|
| A | MSX12 | 2 |
| B | Bottom left | 1 |
| C | Bottom right | 1 |



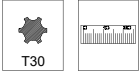
MOUNTING



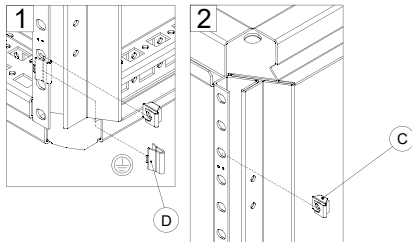
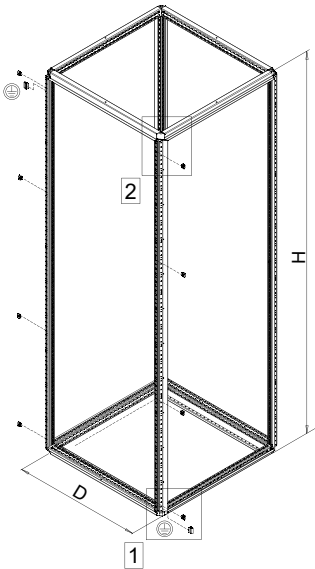
UNMOUNTING



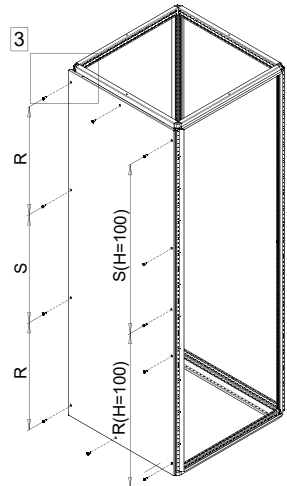
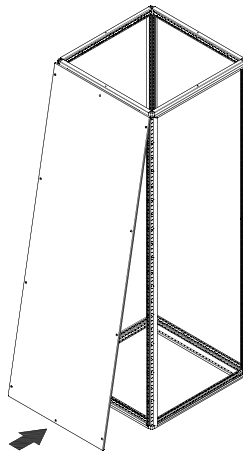
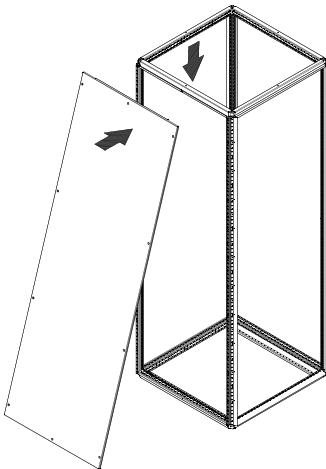
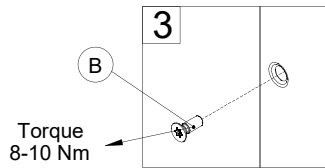
SPMS

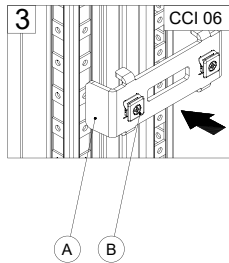
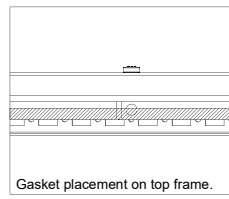
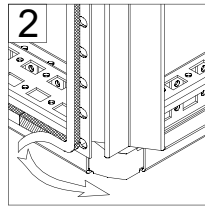
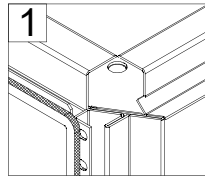
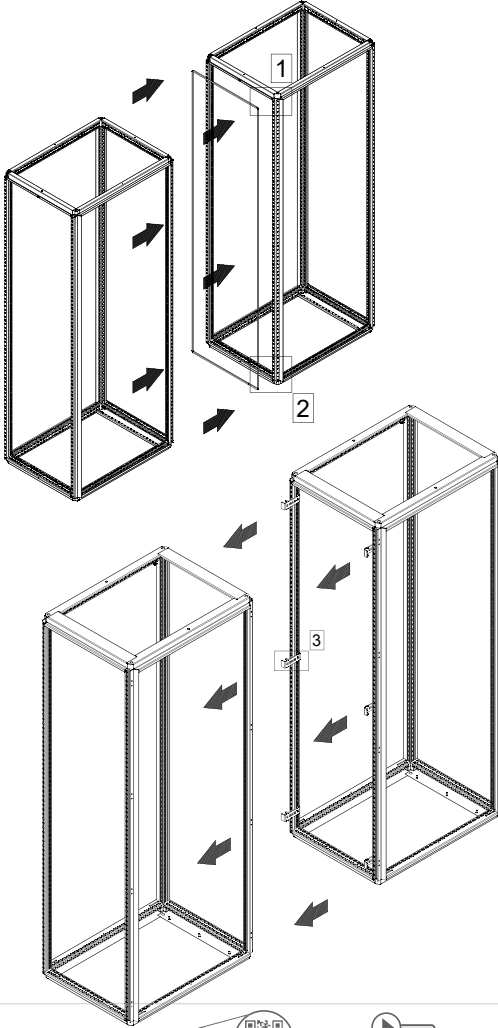


| Ref. | Pic. | Qty. |
|------|------|-------|
| A | | 0/1 |
| B | | 6/8/9 |
| C | | 6/8/9 |
| D | | 2 |

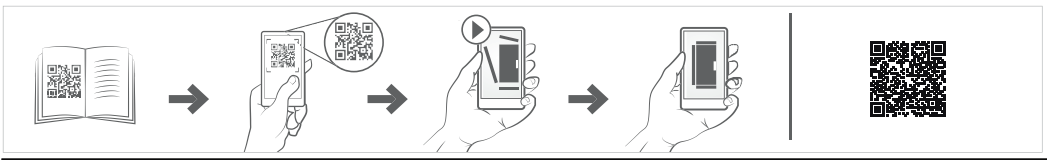
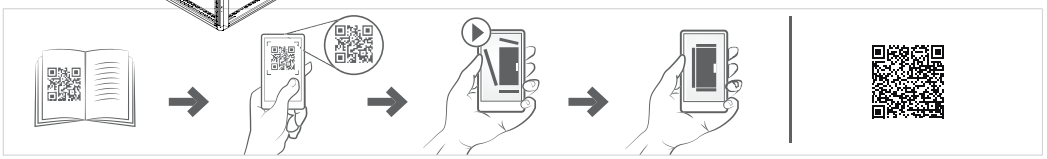


| H | R | S |
|------|-----|-----|
| 1800 | 525 | 575 |
| 2000 | 625 | 575 |


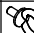




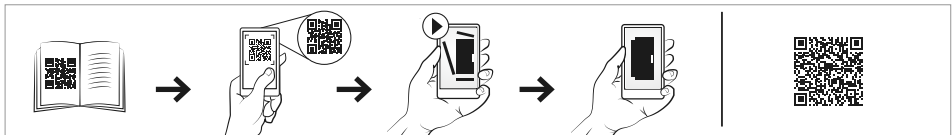
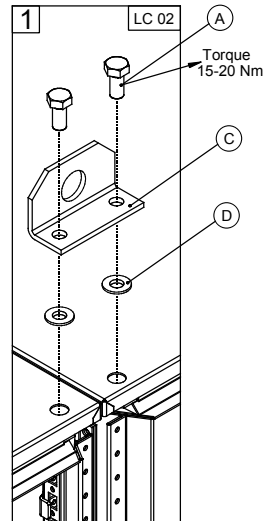
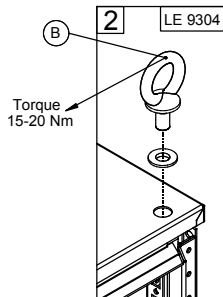
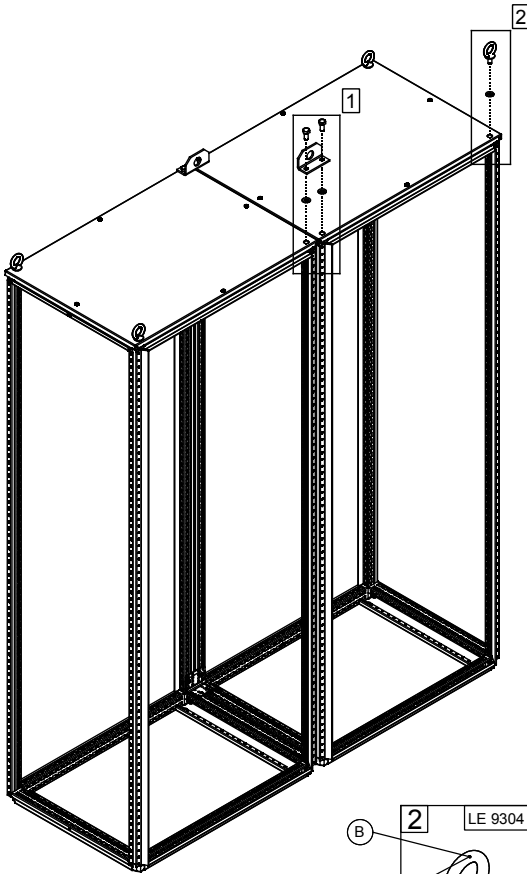


| Ref. | Pic. | Qty. |
|------|------|------|
| A | | 6 |
| B | | 12 |





| Ref. | Pic. | Qty. |
|------|--|------|
| A |  M12x25 | 4 |
| B |  M12 | 4 |
| C |  | 2 |
| D |  M12 | 4 |

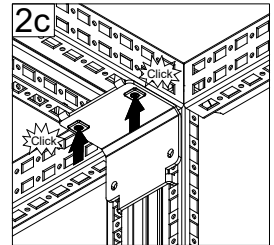
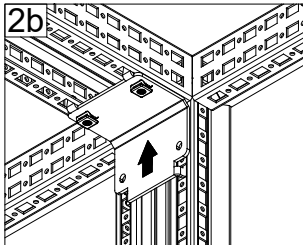
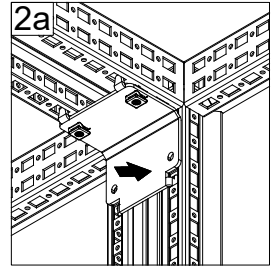
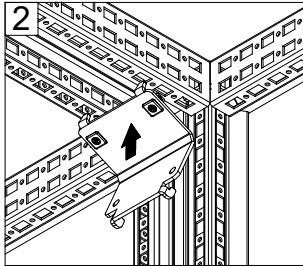
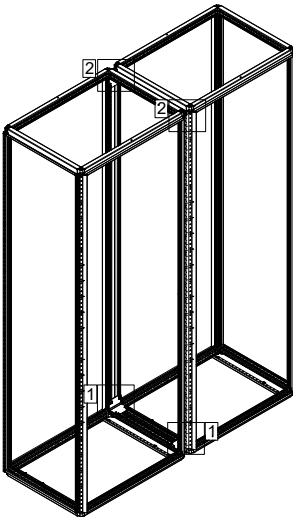
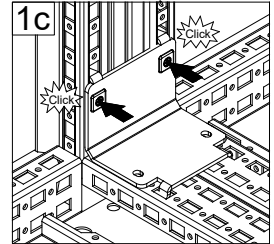
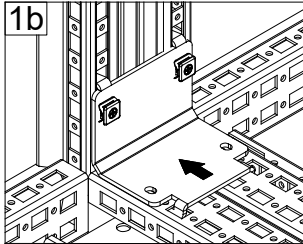
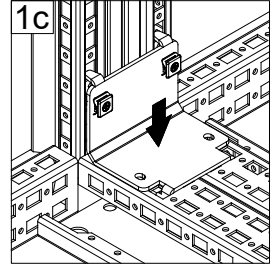
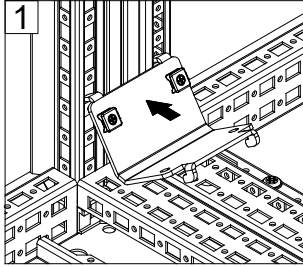
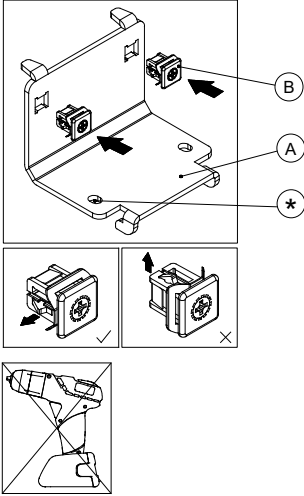




CCM 04

| Ref. | Pic. | Qty. |
|------|------|------|
| A | | 4 |
| B | | 8 |

MOUNTING

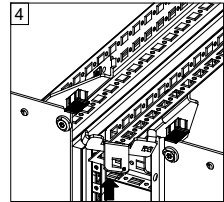
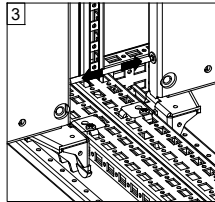
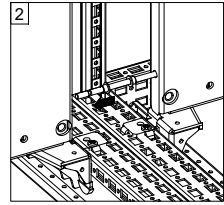
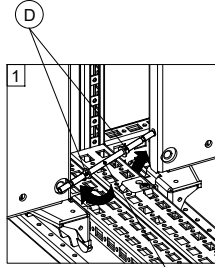
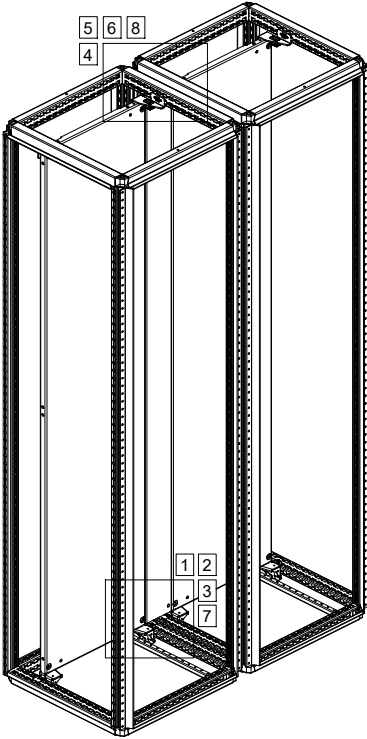


Note: It is mandatory for all four brackets to be installed at all four corners !

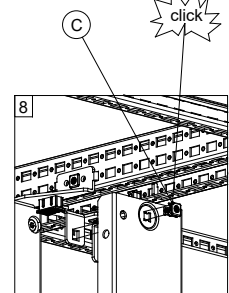
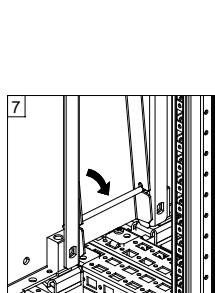
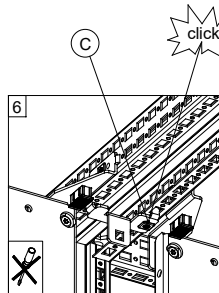
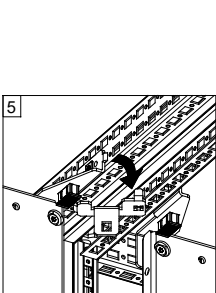
* The fixation holes can be used to better fix the bracket to the frame, using cage nuts and screws !

MPF

| Ref. | Pic. | Qty. |
|------|------|------|
| A | | 1 |
| B | | 1 |
| C | | 2 |
| D | | 2 |



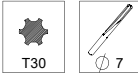
B



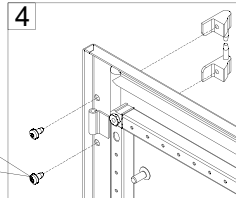
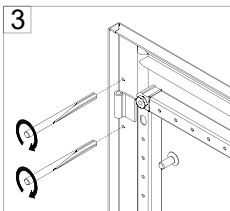
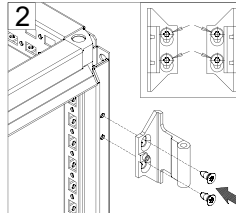
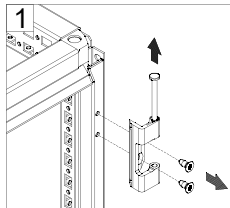
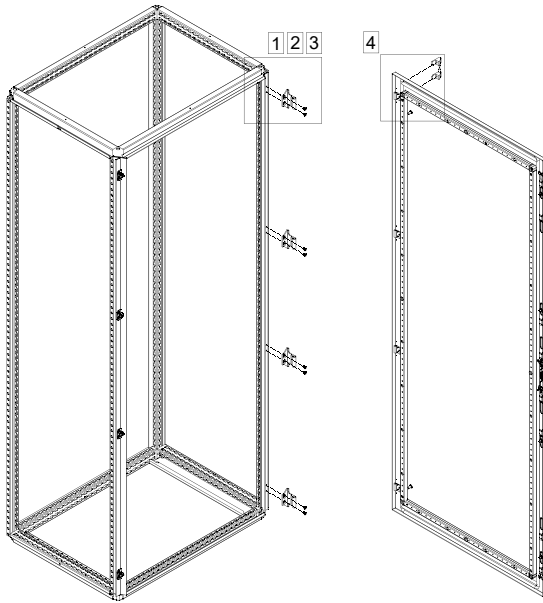
Back view



DHN 180



| Ref. | Pic. | Qty. |
|------|-------|------|
| A | M6x12 | 8 |



DHN 180

Door adjustment

