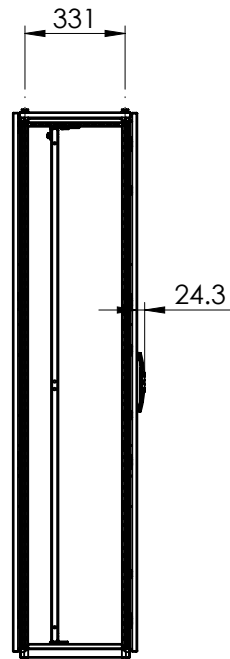
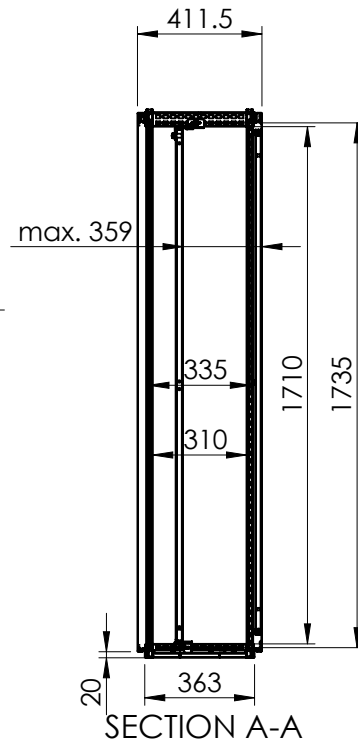


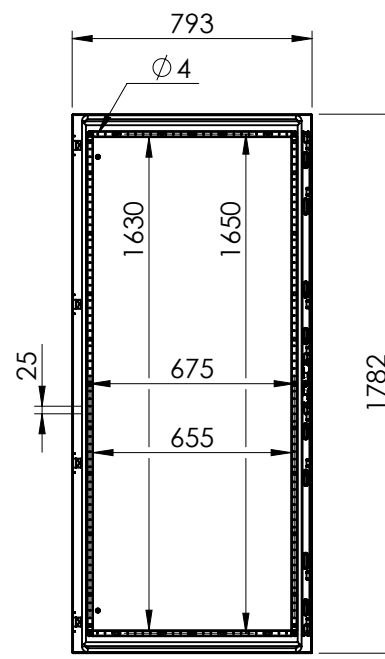
Side view



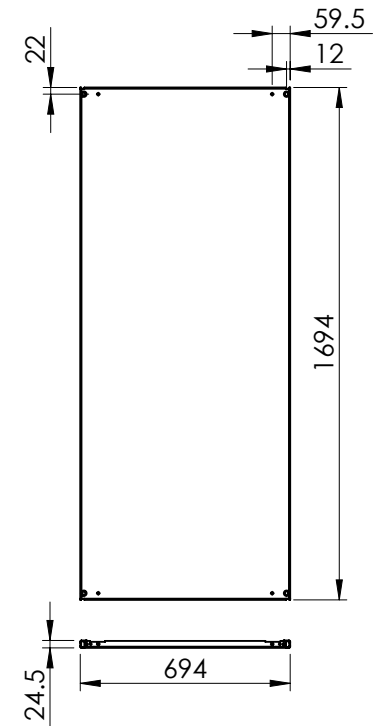
Sectional side view



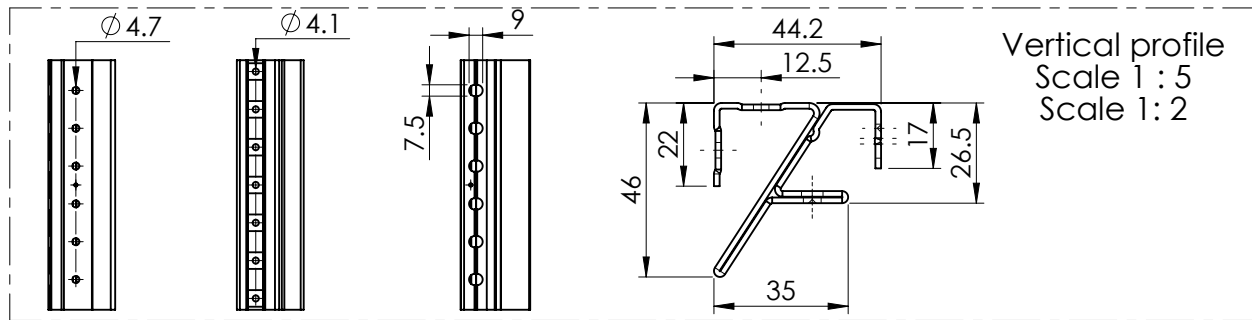
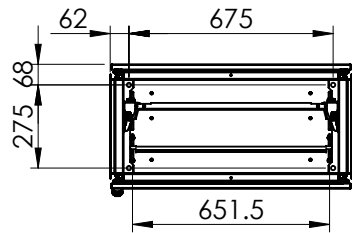
Inside doorframe view



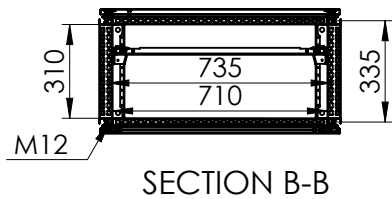
Mounting plate



Top view



Sectional top view
(without bottom plates)



Drawn by : bvbura	Date: 18-05-2016	Finish : RAL7035	SCALE:1:25	General tolerances according to Norm ISO 2768-1		
Checked by : roreja	Date: 18-05-2016					
Revision : 01				Fine	Medium	Coarse
			Floor standing, Mild steel combinable version, Single door enclosure		Reference number : MCS18084R5 MCS18084PER5	A4
			1800 mm x 800 mm x 400 mm			
					Page 1/1	