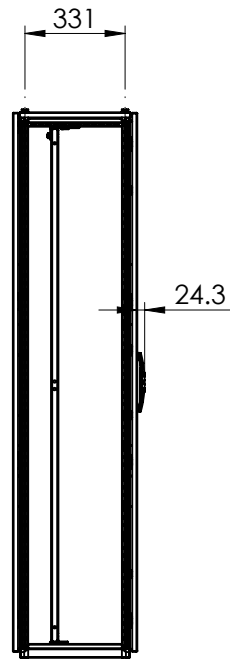
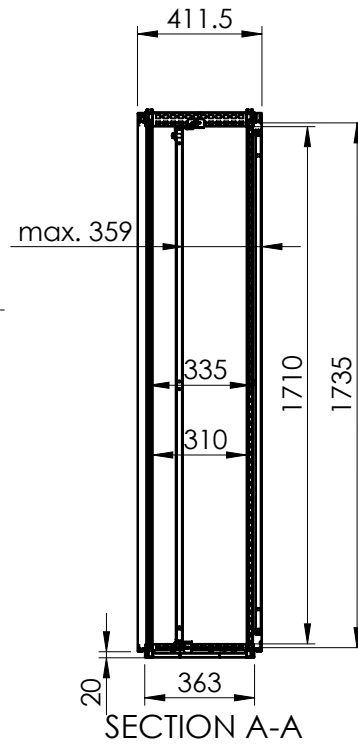


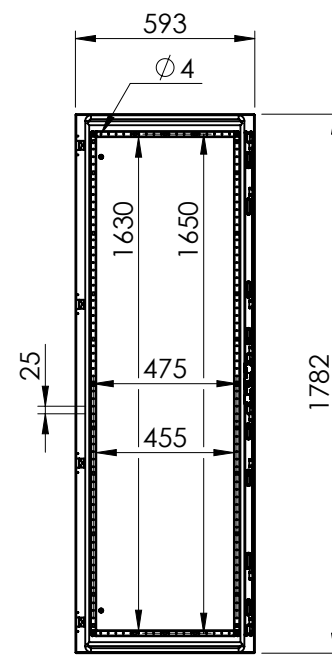
Side view



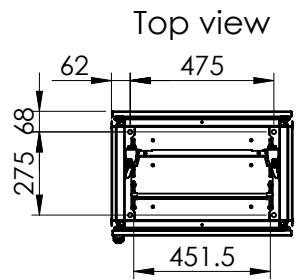
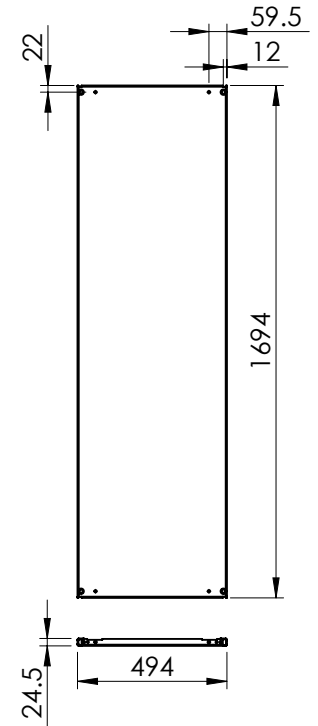
Sectional side view



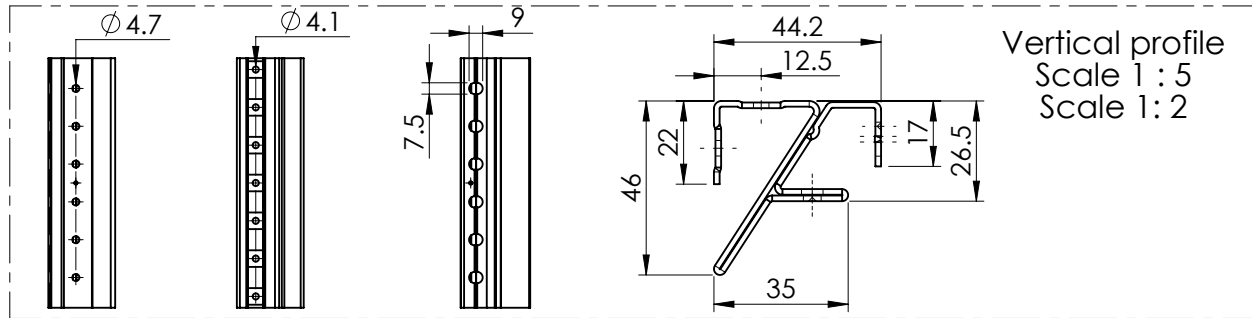
Inside doorframe view



Mounting plate

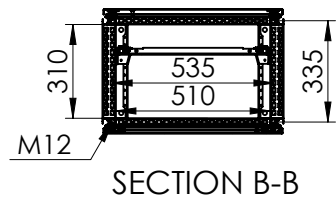


Top view



Vertical profile  
Scale 1 : 5  
Scale 1 : 2

Sectional top view  
(without bottom plates)



Drawn by : bvbura	Date: 18-05-2016	Finish : RAL7035	SCALE:1:25	General tolerances according to Norm ISO 2768-1		
Checked by : roreja	Date: 18-05-2016					
Revision : 01				Fine	Medium	Coarse
		Floor standing, Mild steel combinable version, Single door enclosure		Reference number :		
		1800 mm x 600 mm x 400 mm		MCS18064R5 MCS18064PER5		A4
				Page 1/1		