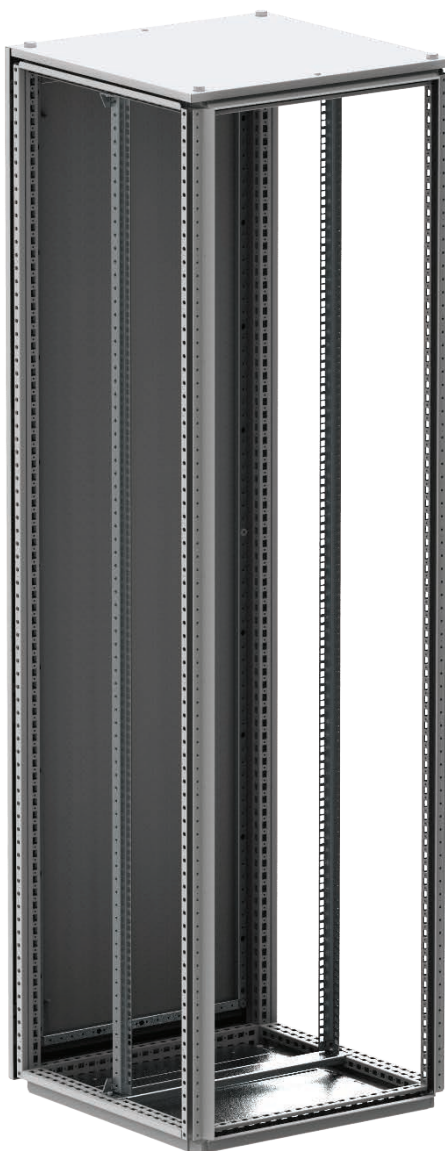
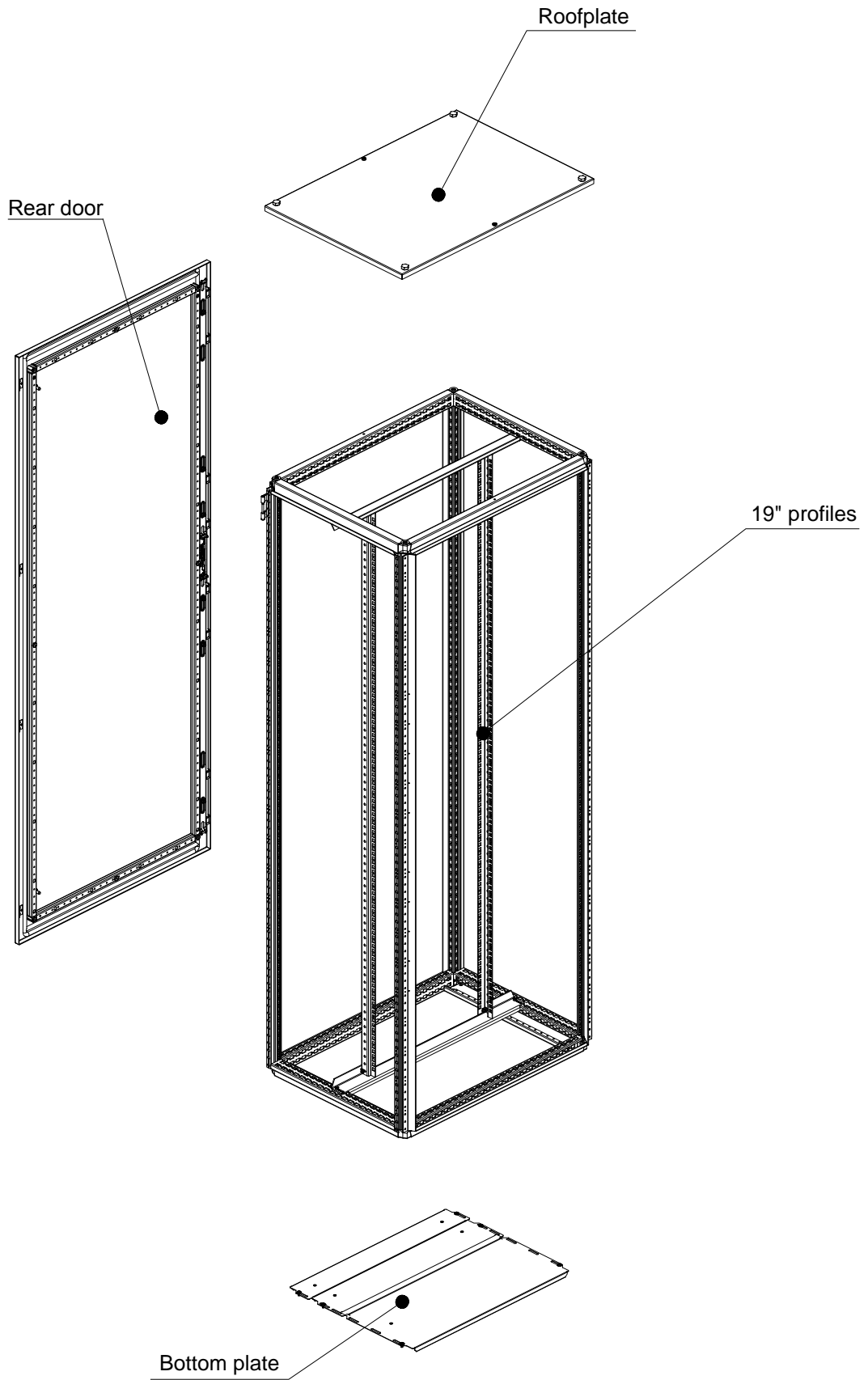


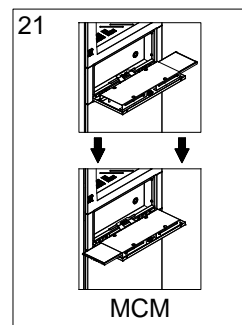
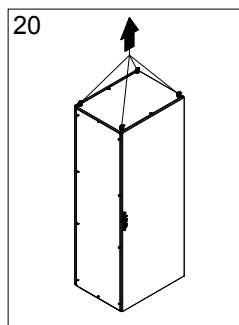
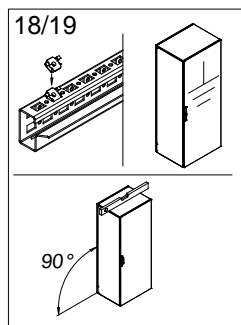
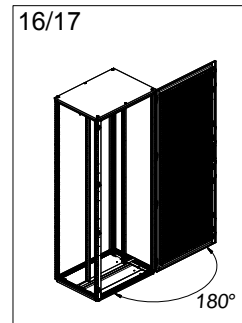
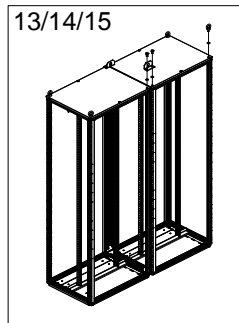
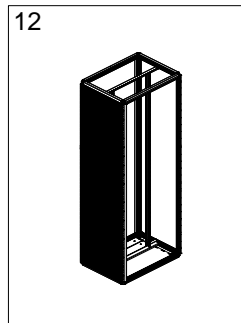
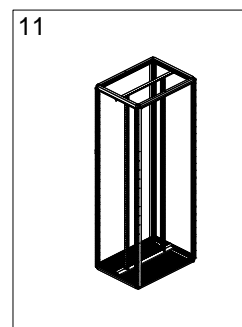
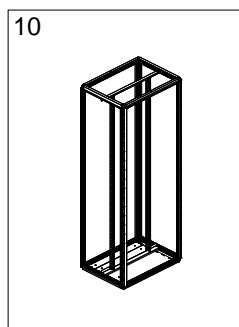
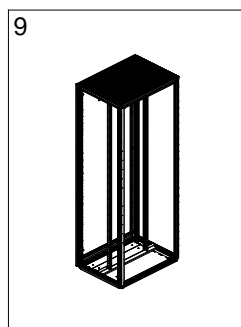
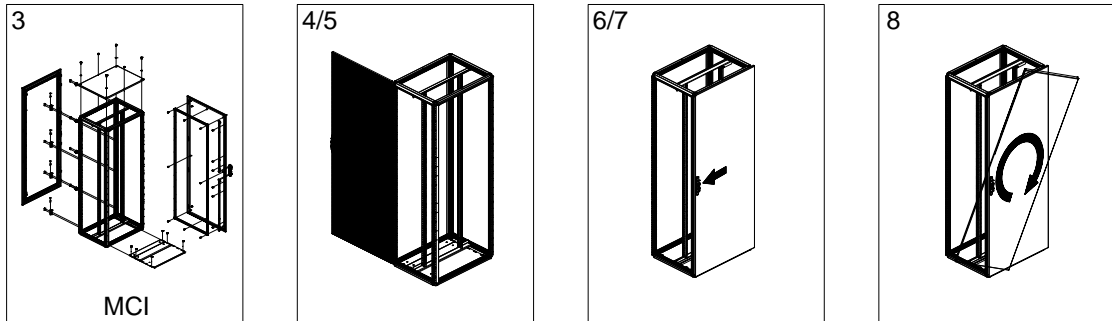
Floor standing enclosures

Mild steel IP protected ICT Rack

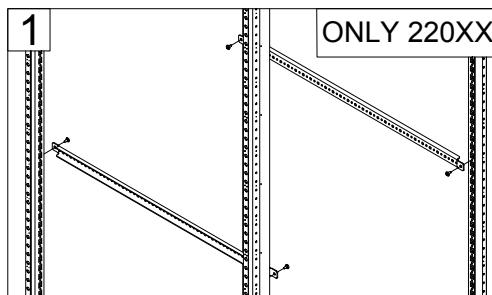
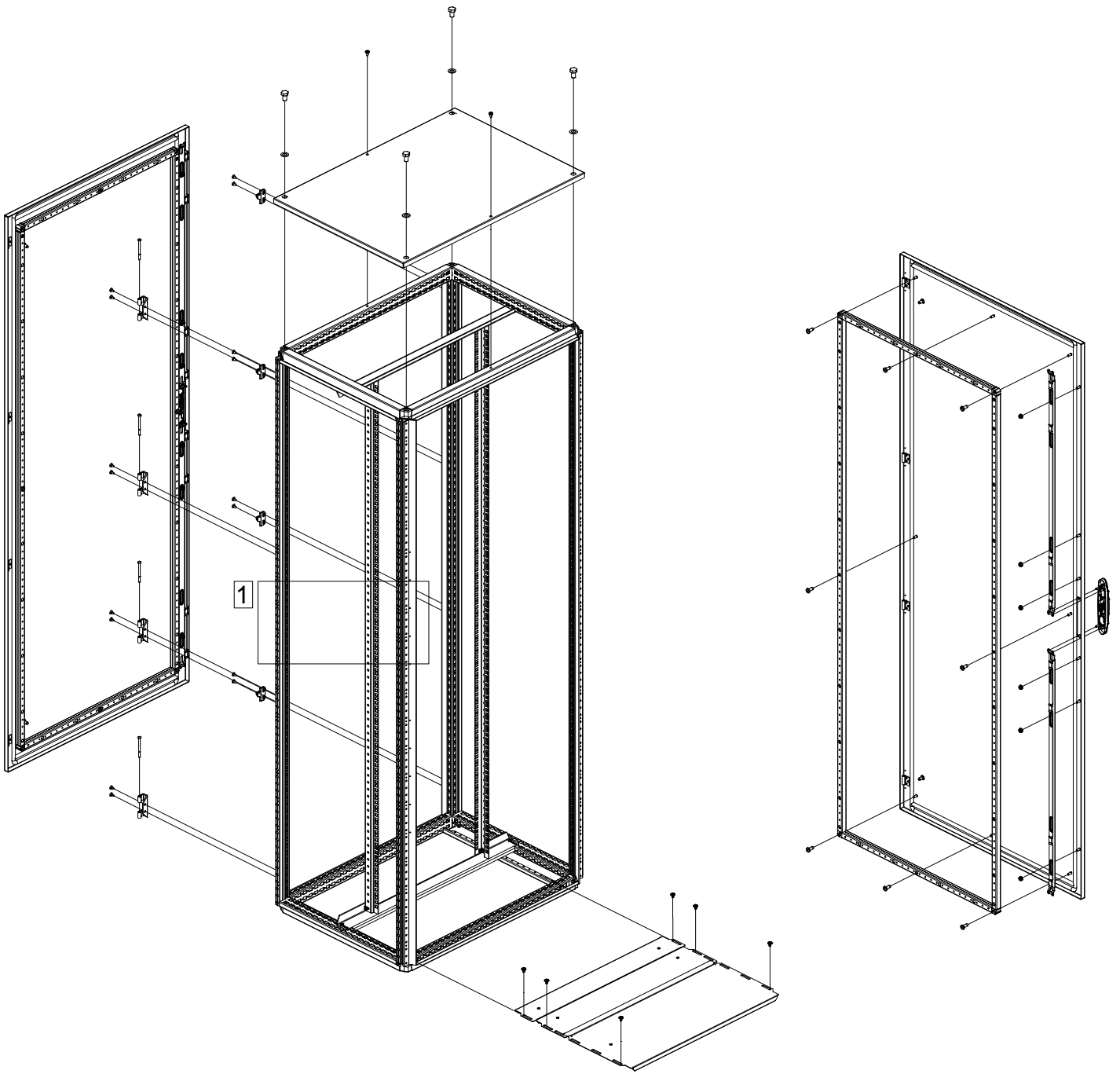
MOUNTING INSTRUCTIONS
7697-0501-68 REV.0

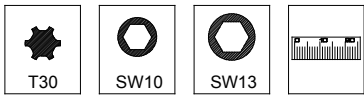






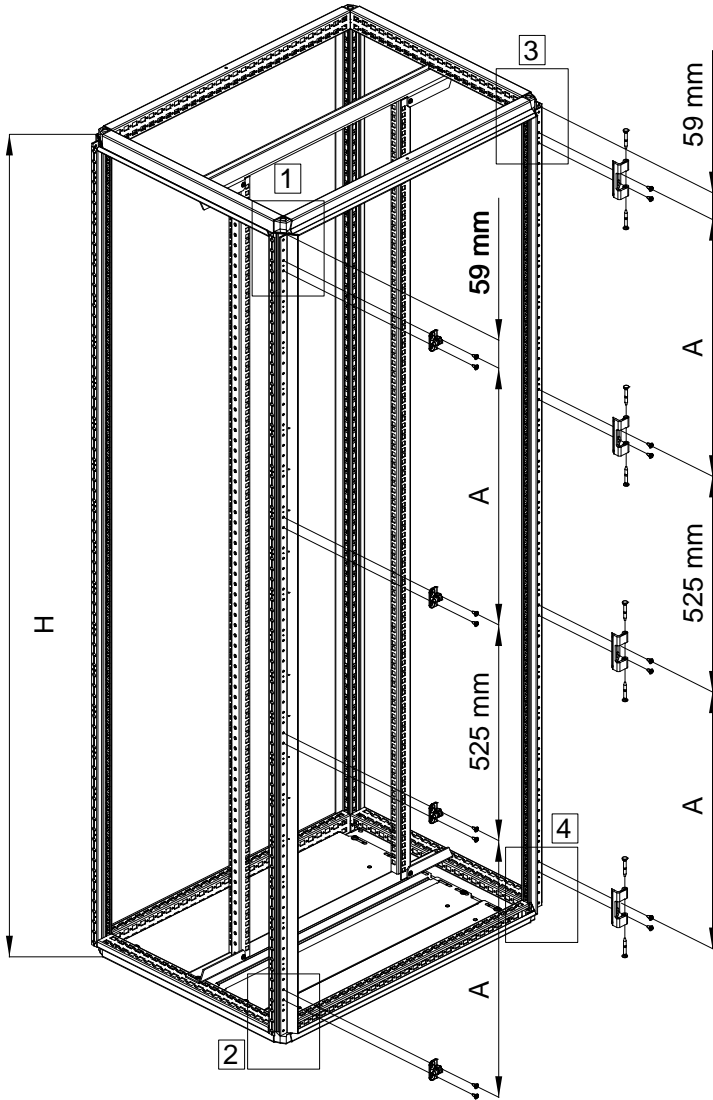
MCI



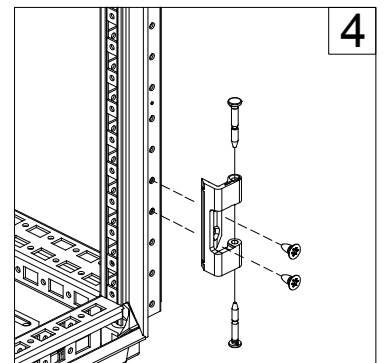
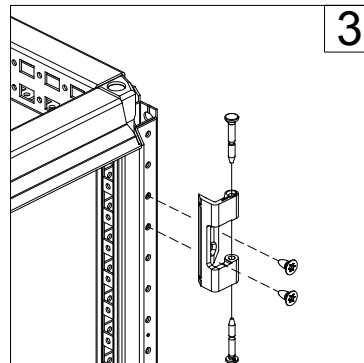
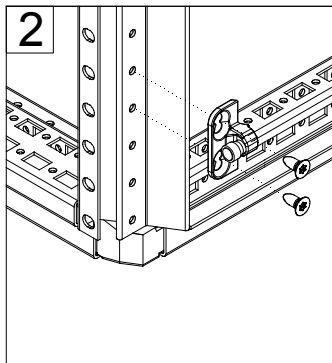
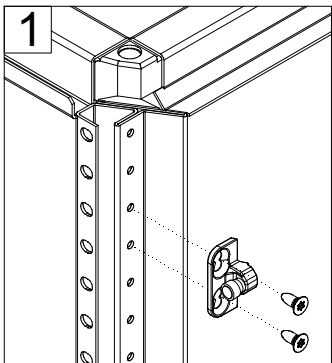
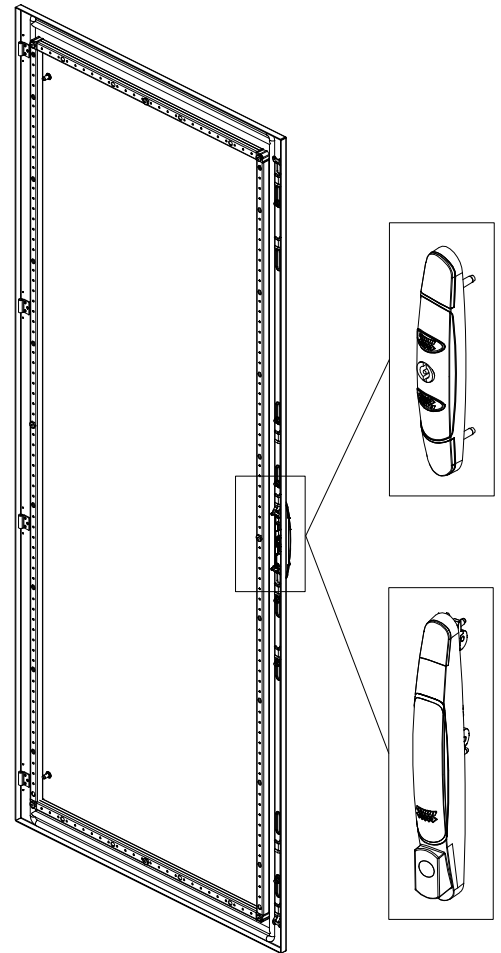


COMBINABLE ENCLOSURE

H	A
1100	175
1400	325
1600	425
1800	525
2000	625
2200	725

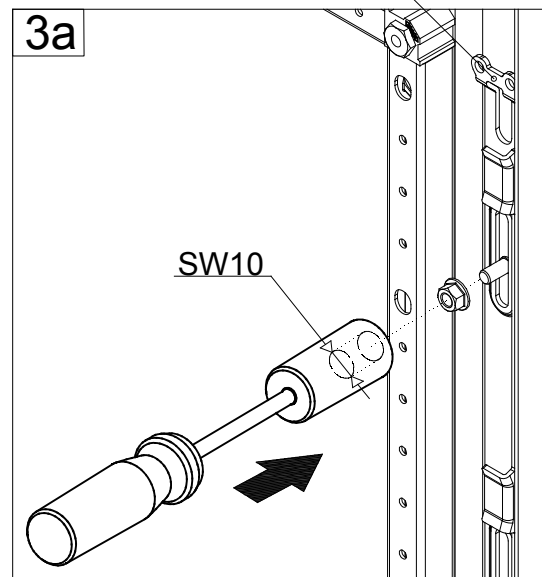
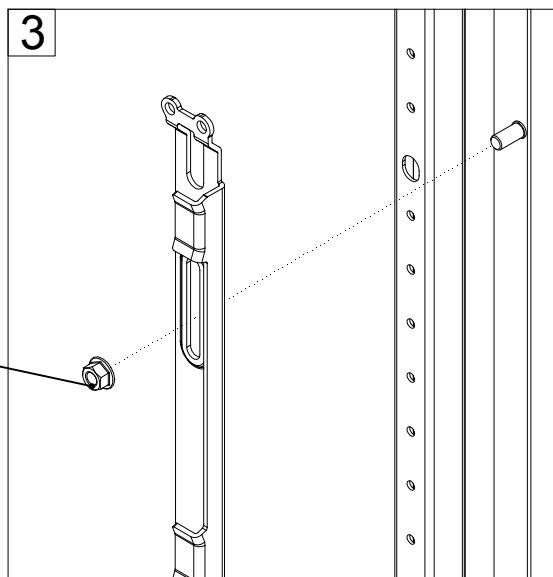
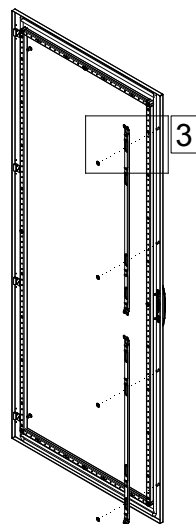
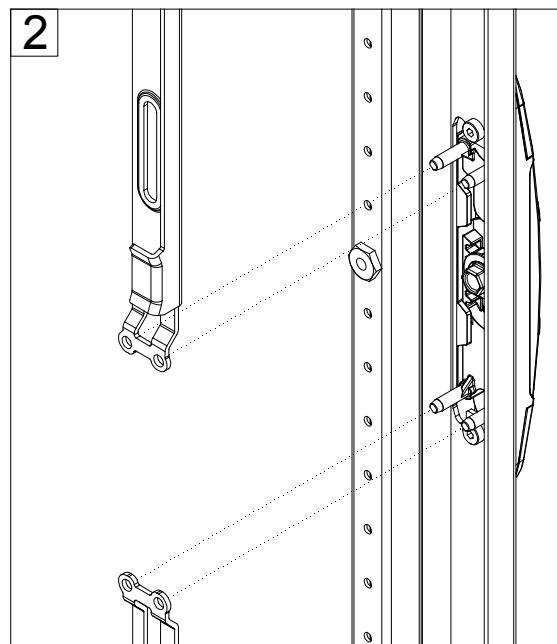
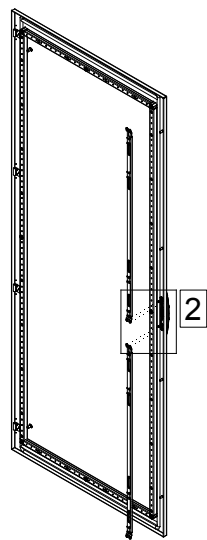
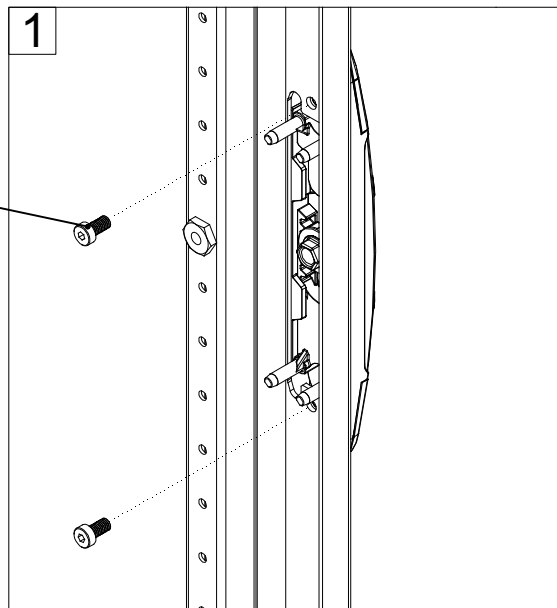
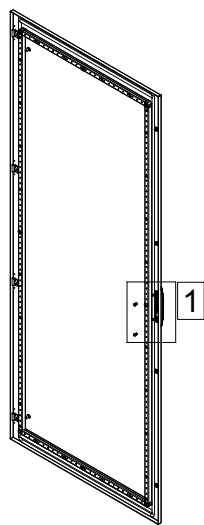


Rear door

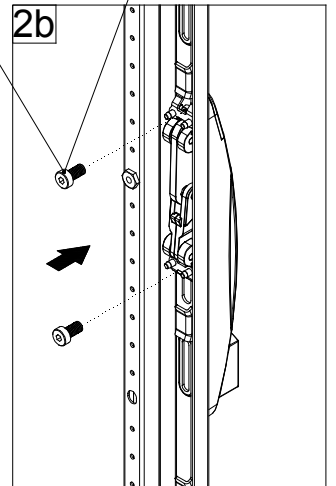
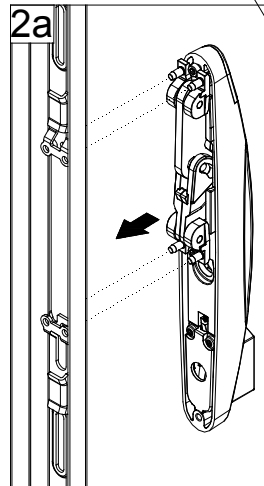
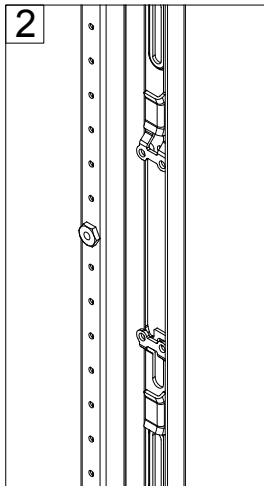
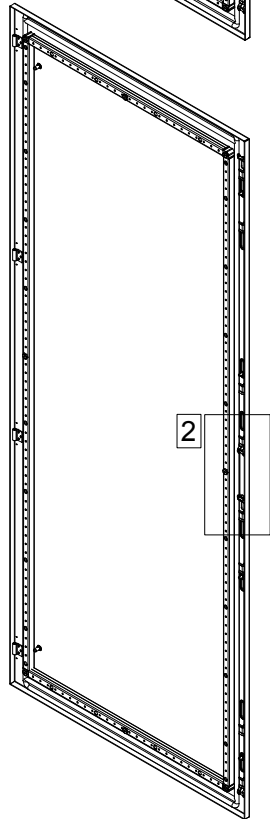
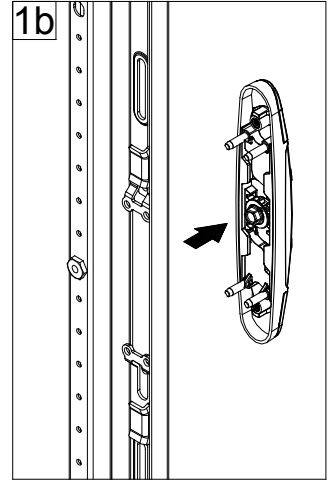
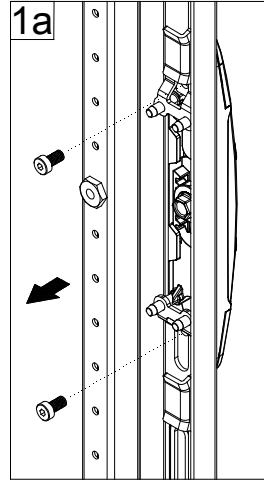
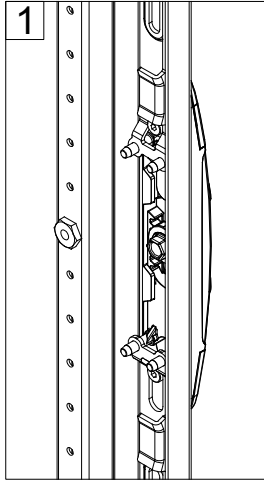
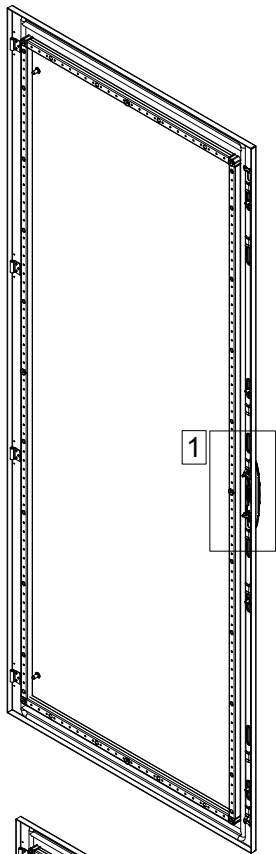




Ref.	Pic.	
A	M5x10	2
B	M5	4

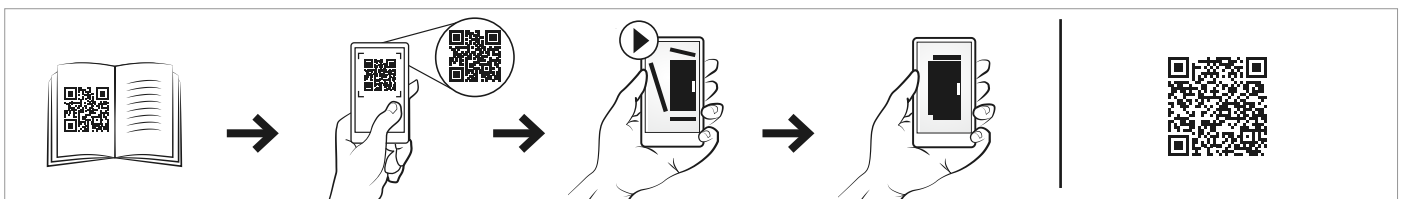


MOUNTING THE LIFT HANDLE

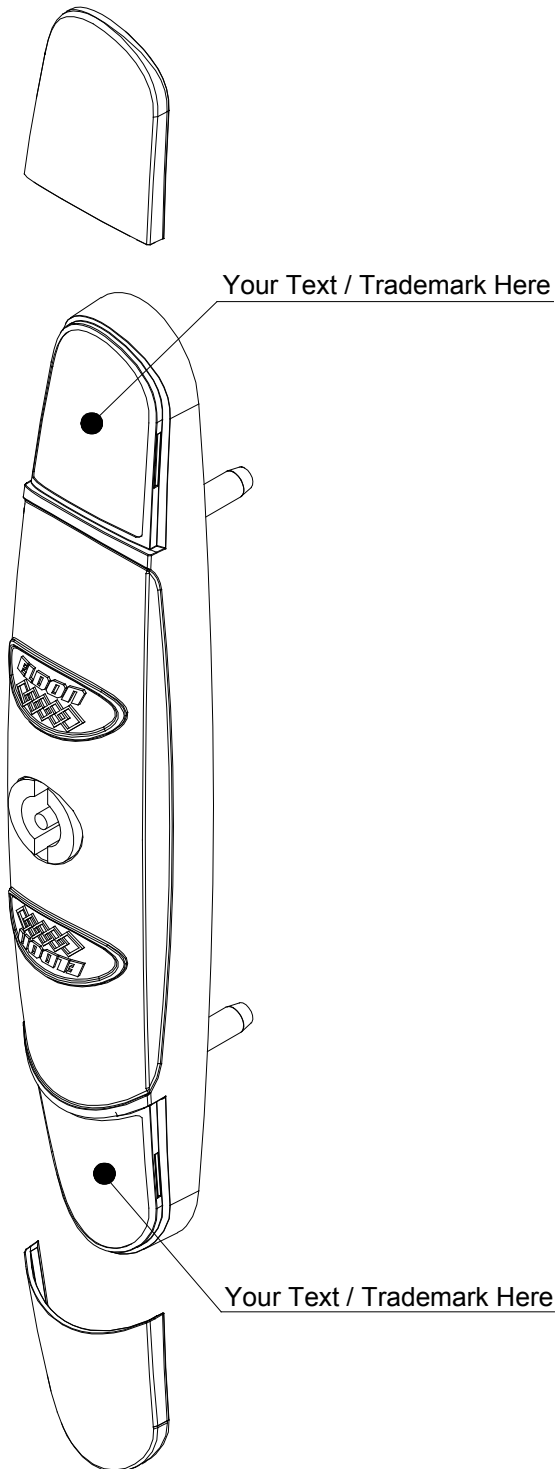


Torque
4-5.5 Nm

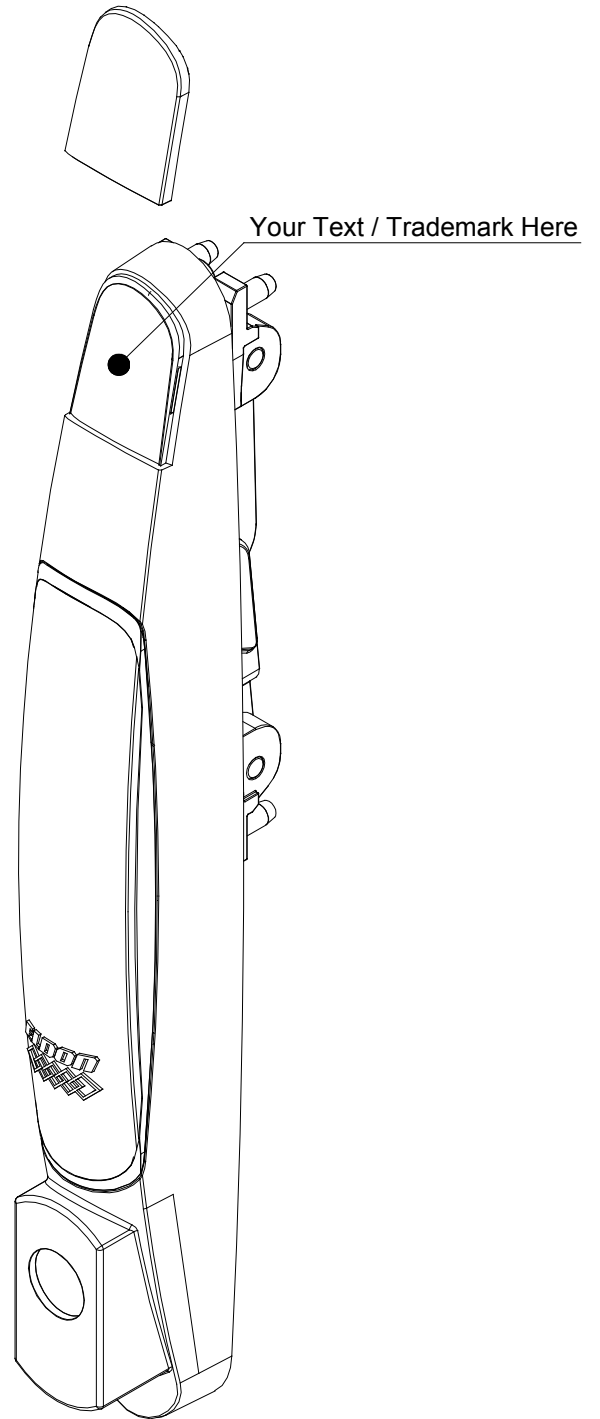
A

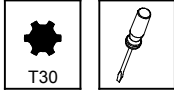


Standard Locking System

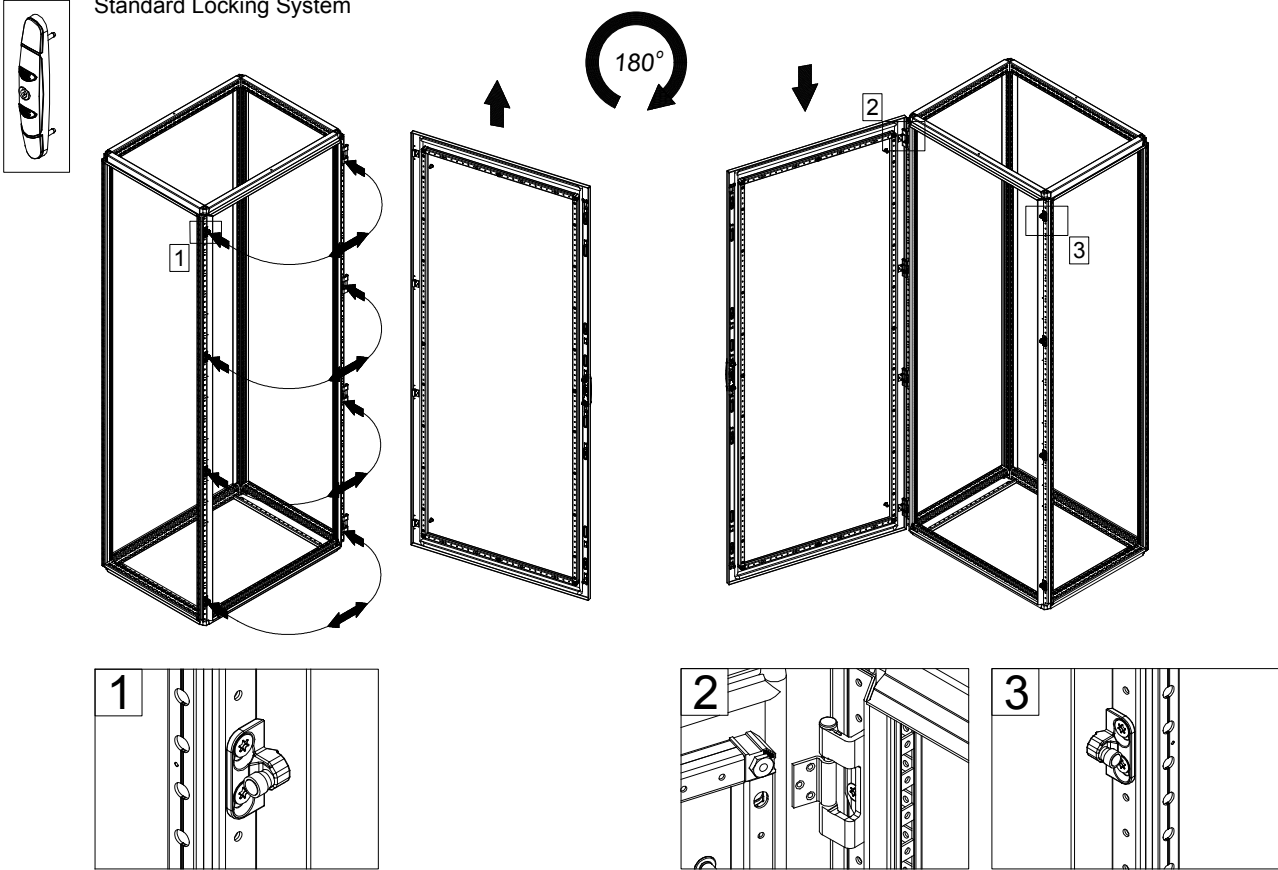


Lift Handle Locking System

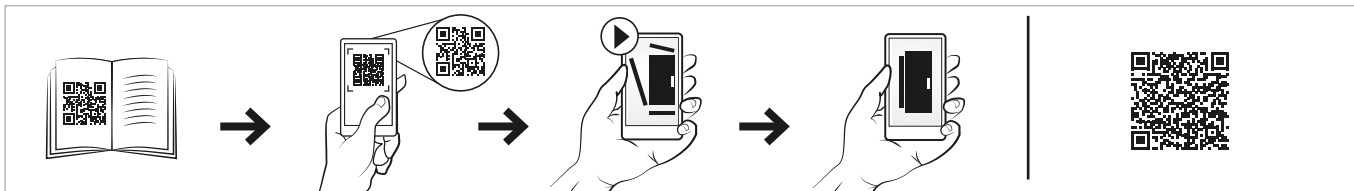
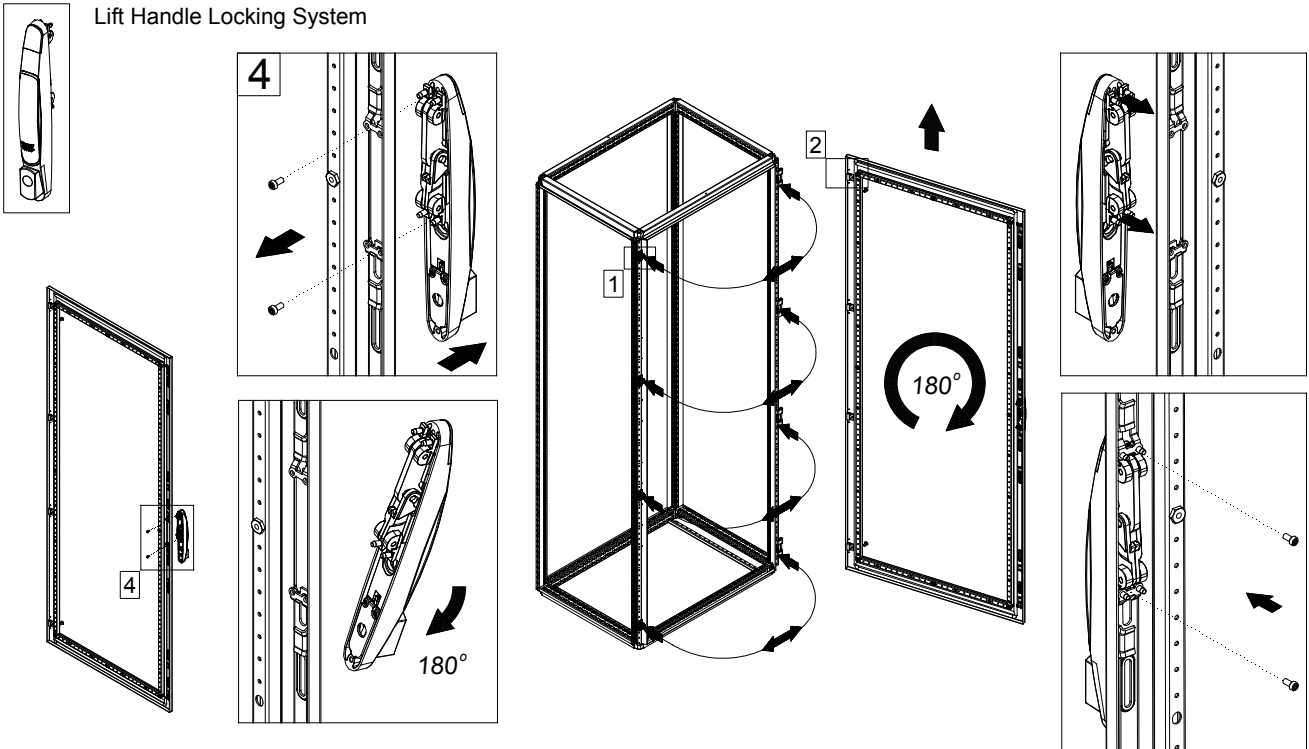




Standard Locking System



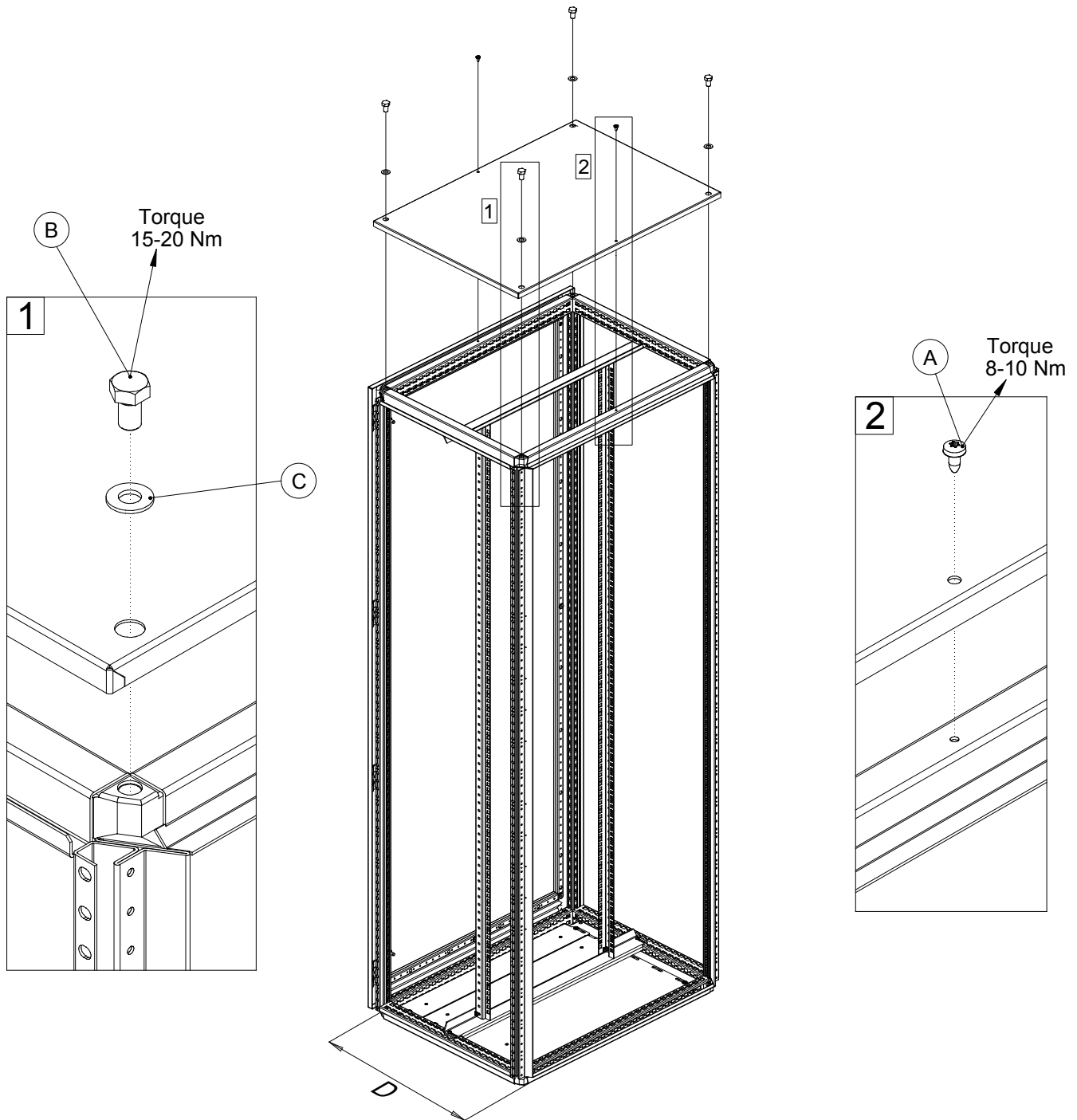
Lift Handle Locking System

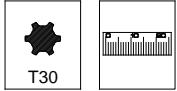




Roof panel

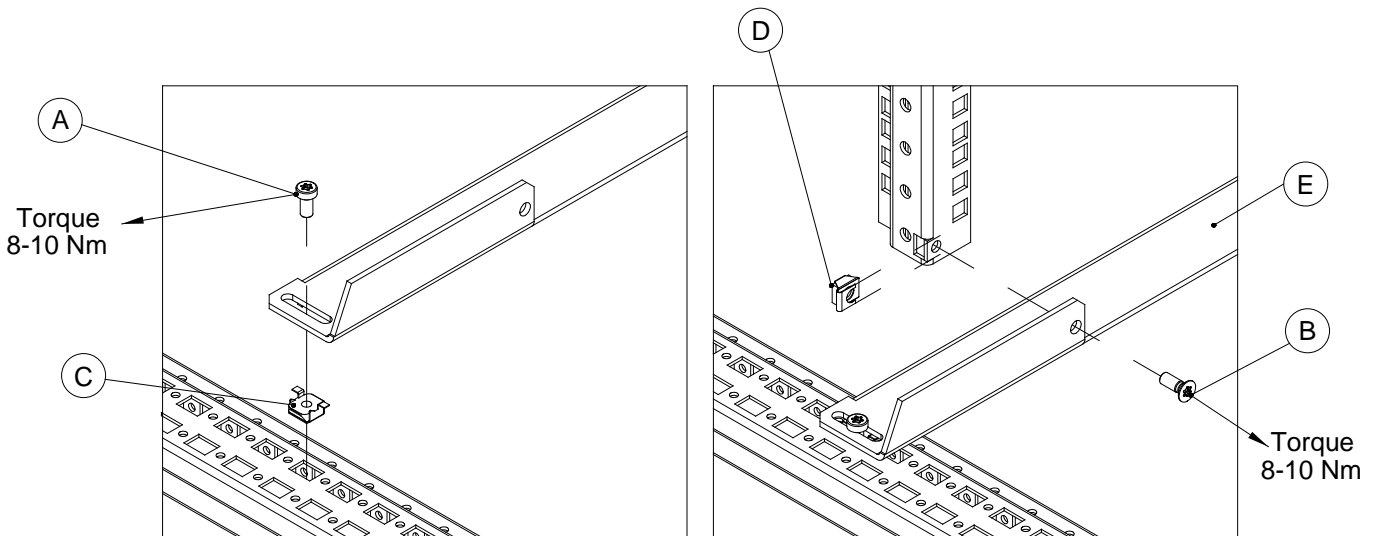
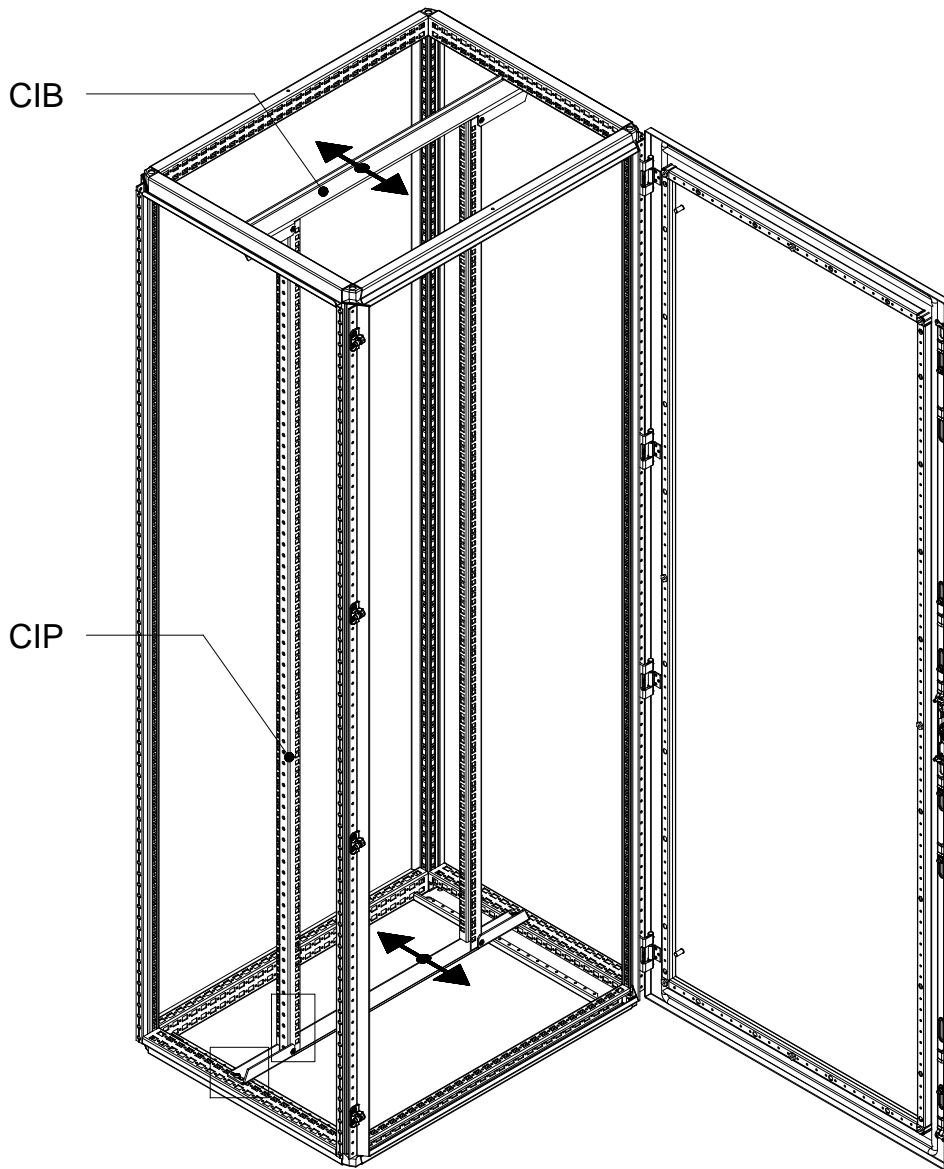
Ref.	Pic.	D (mm)	<800	≥800
A	M6x12		2	4
B	M12x20		4	4
C	M12		4	4





19" profiles

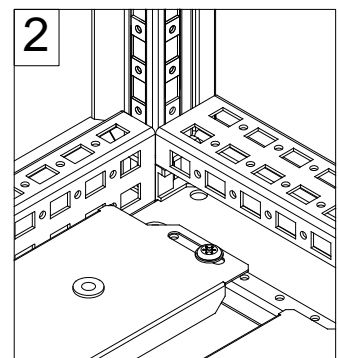
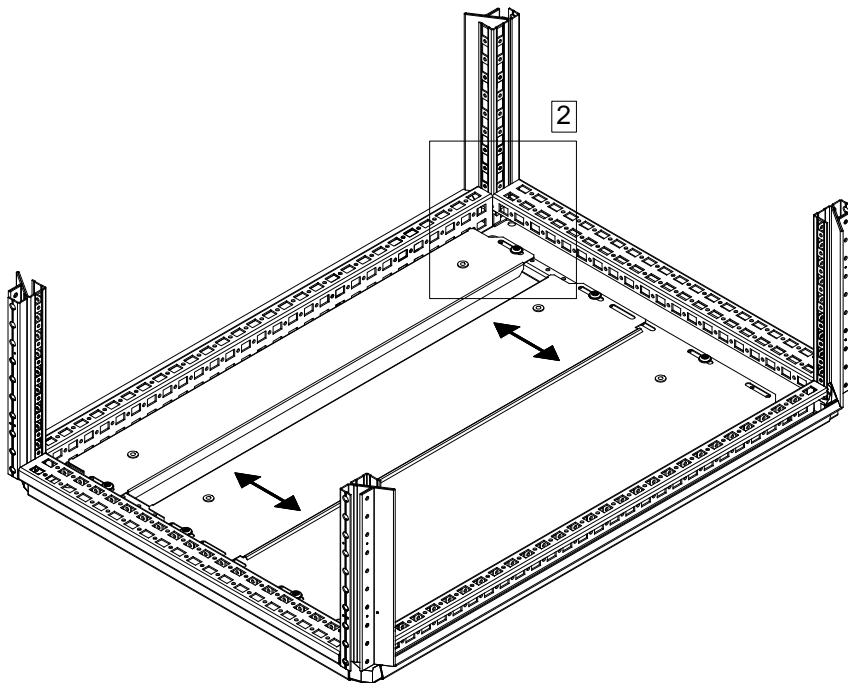
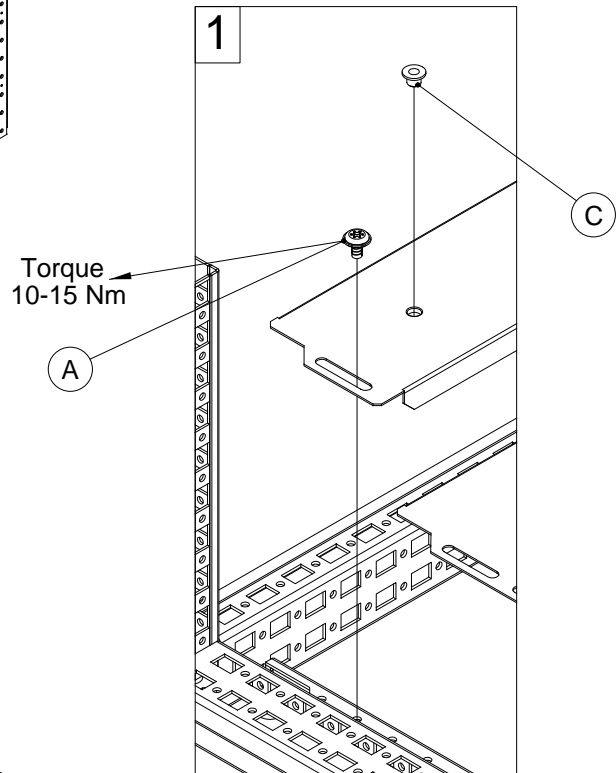
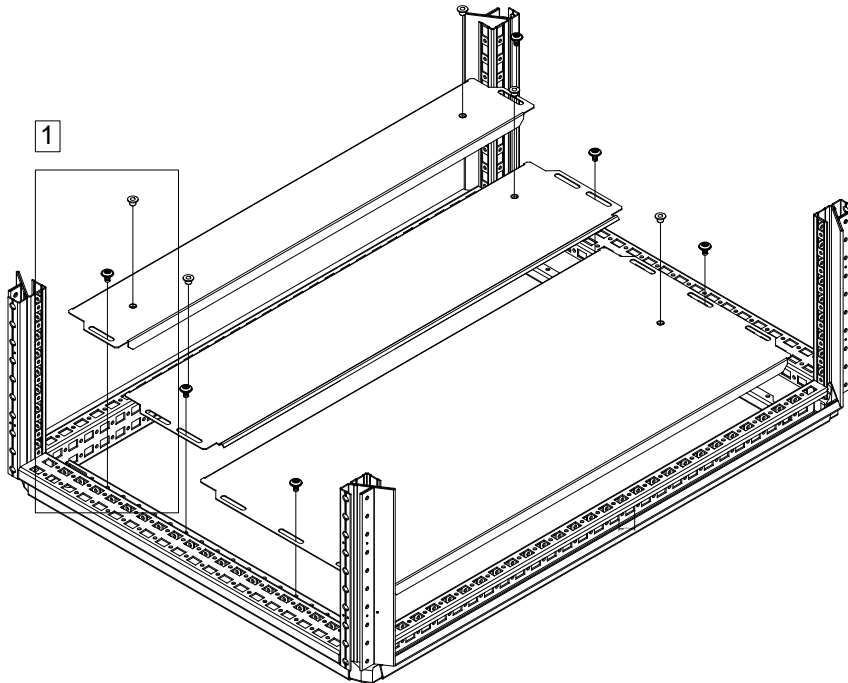
Ref.	Pic.	Qty.
A	M6x12	4
B	M6x16	4
C	M6	4
D	M6	4
E		2

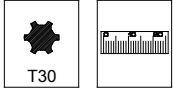




Bottom plate

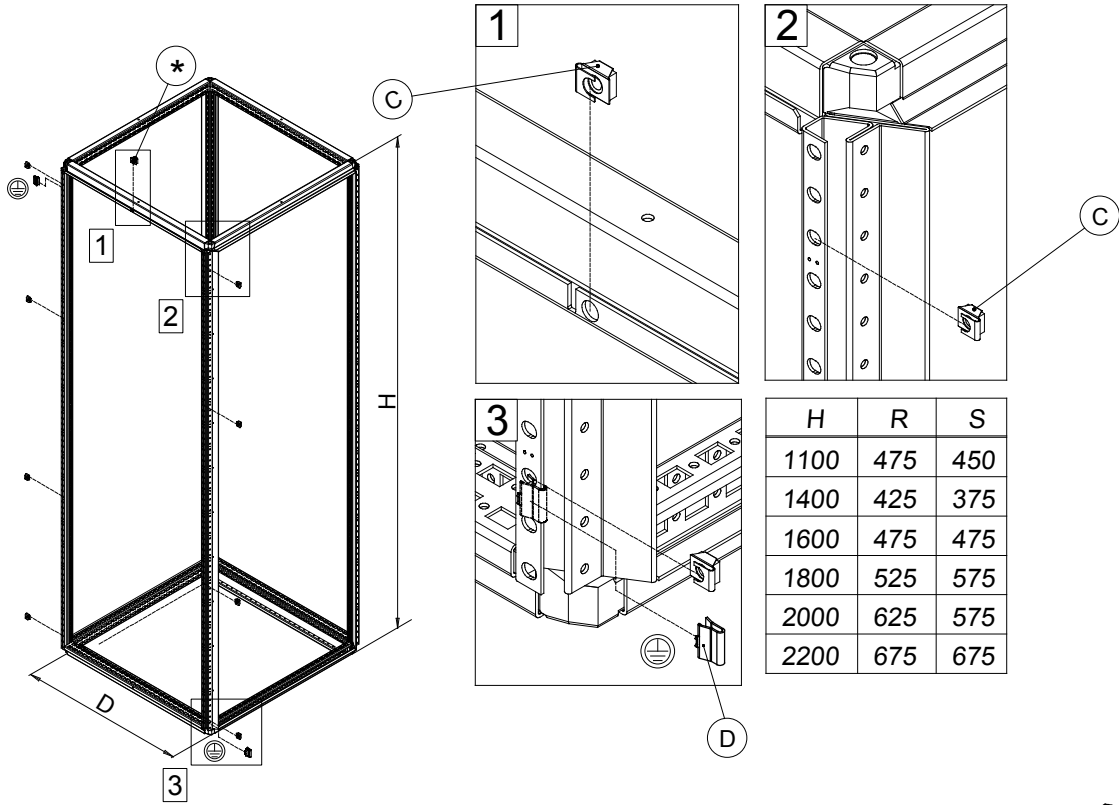
Ref.	Pic.	
A	St. 5.5x10	6/8/12/16
B	M5x10	4
C		5/7/10/14



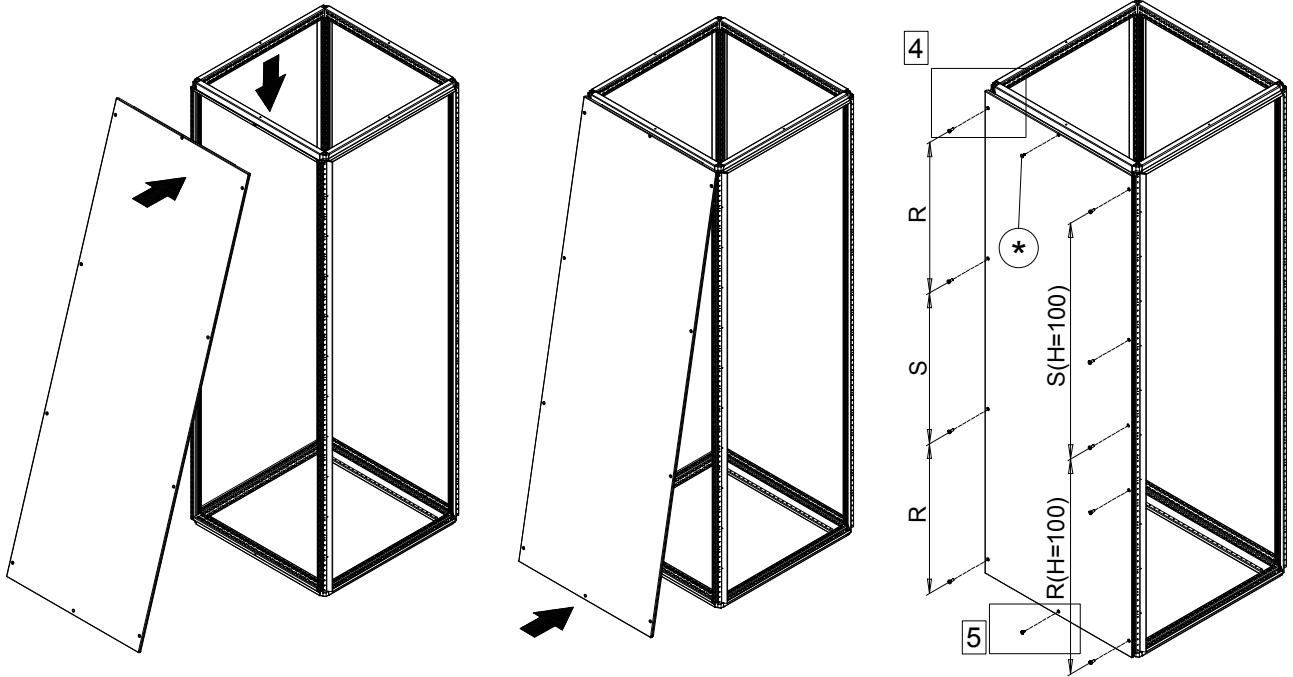


SPM

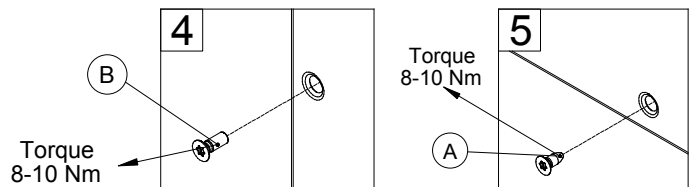
Ref.	Pic.	
A		0/1
B		6/8/9
C		6/8/9
D		2



H	R	S
1100	475	450
1400	425	375
1600	475	475
1800	525	575
2000	625	575
2200	675	675

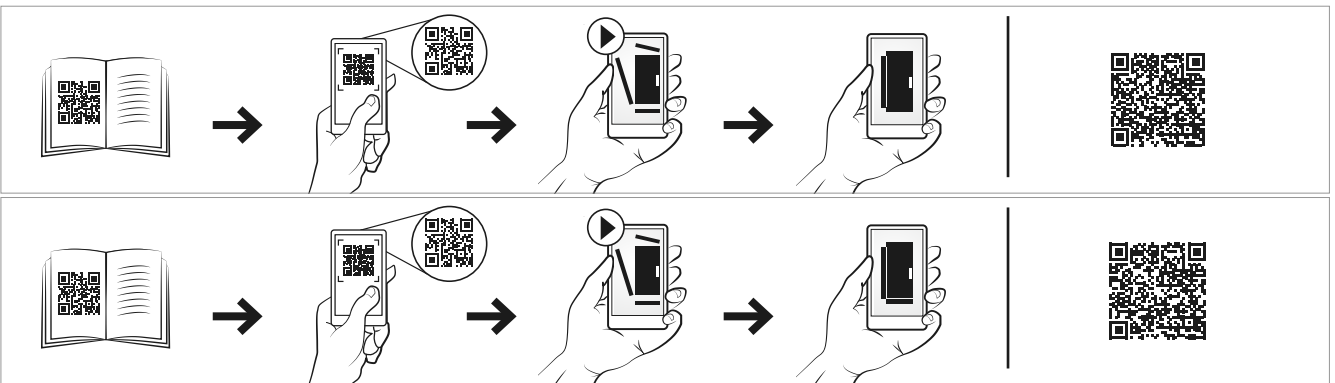
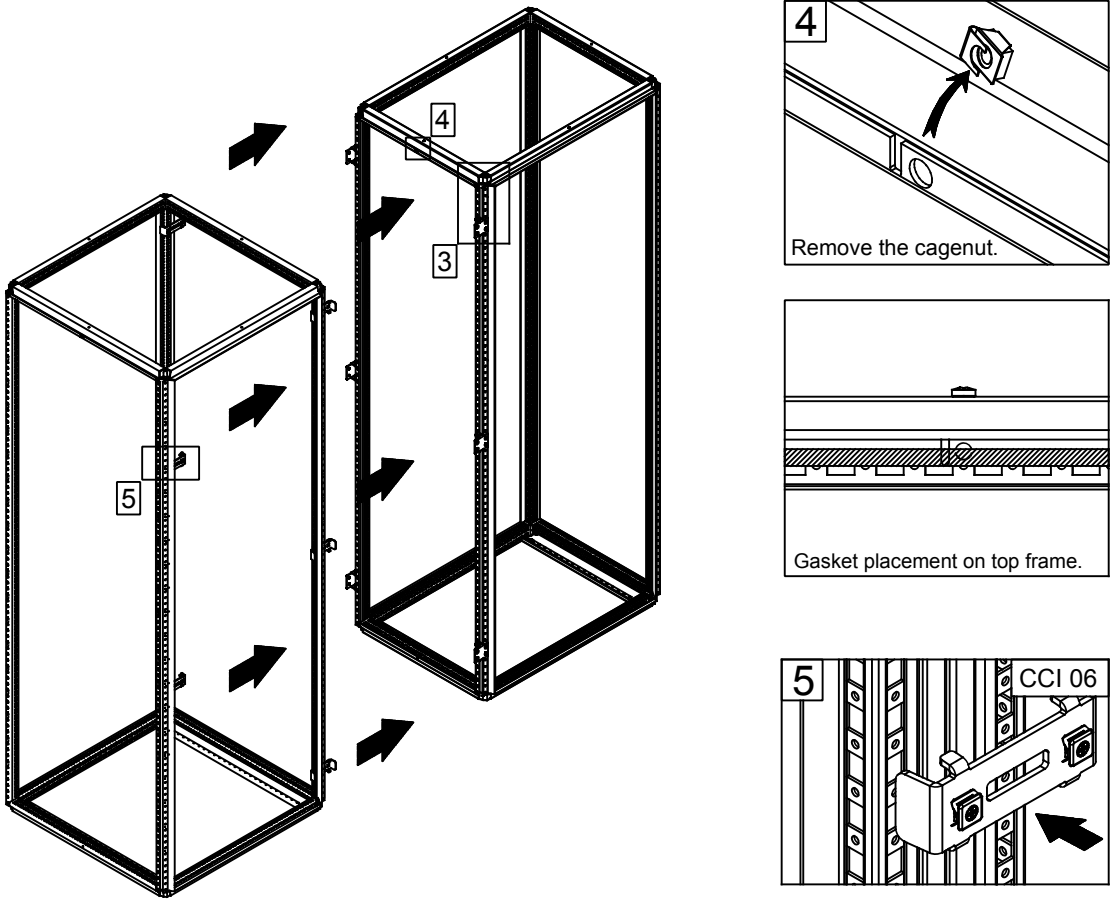
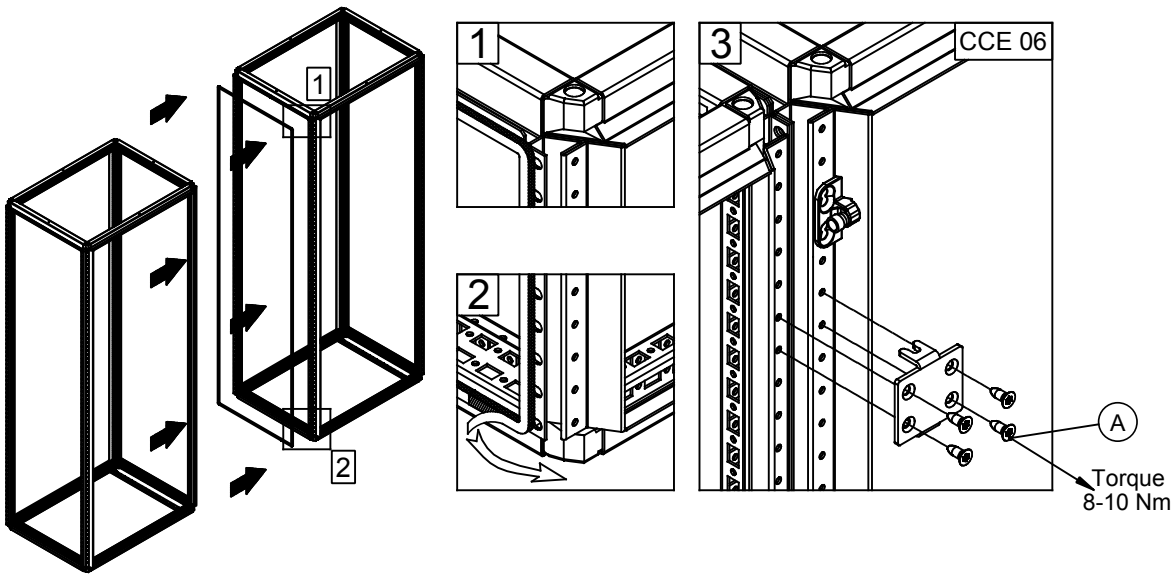


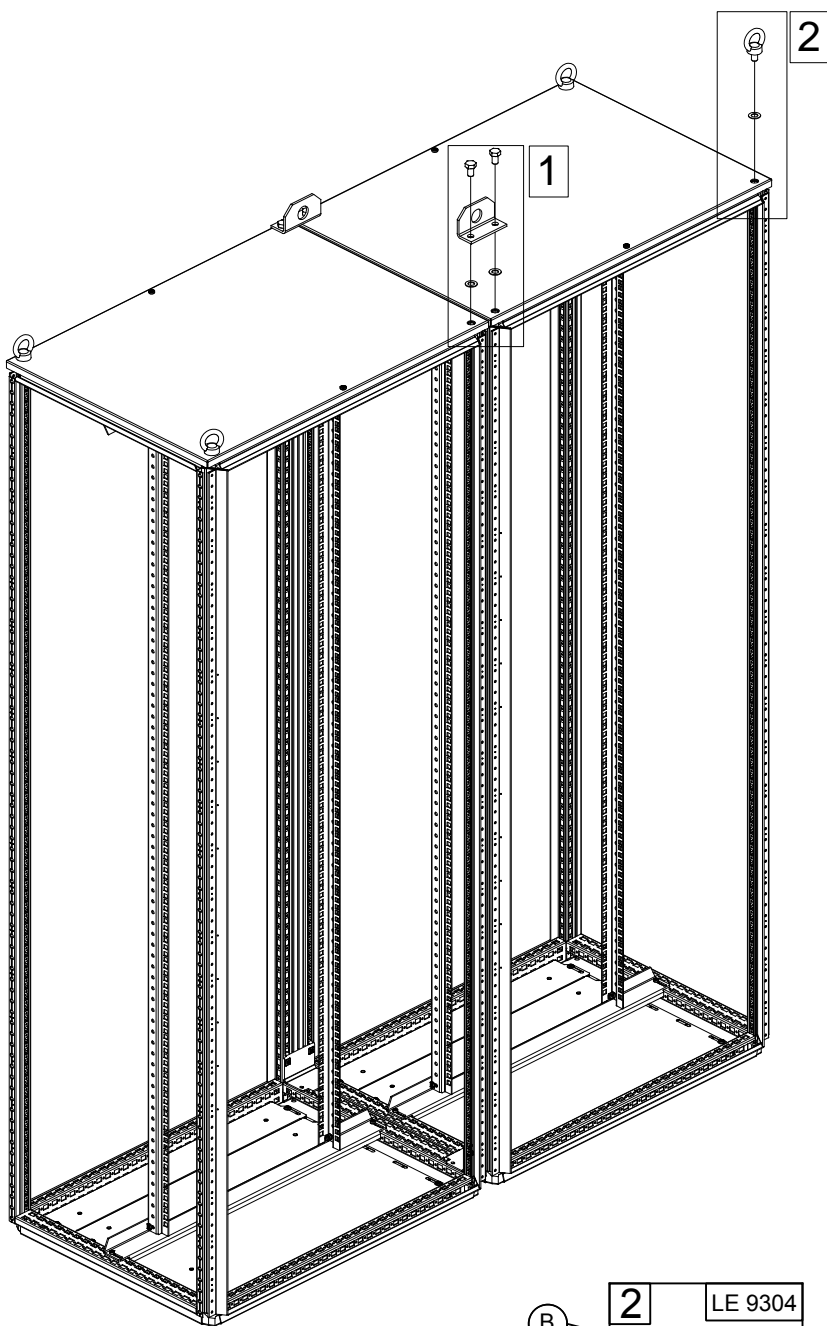
* - Used only on enclosures 800mm deep and above.



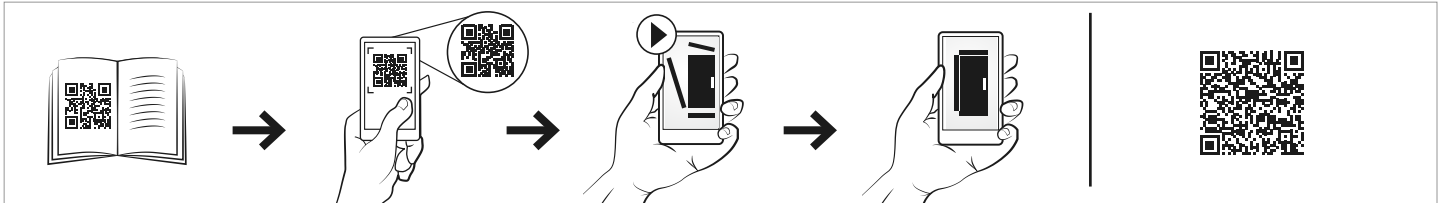
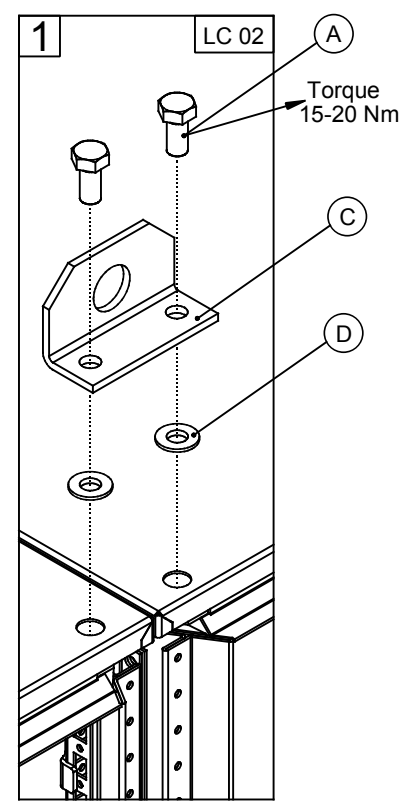
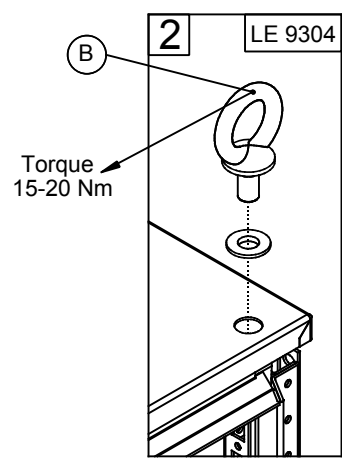


Ref.	Pic.	
A		8
B		6
C		12
D		6





Ref.	Pic.	Qty.
A		4
B		4
C		2
D		4

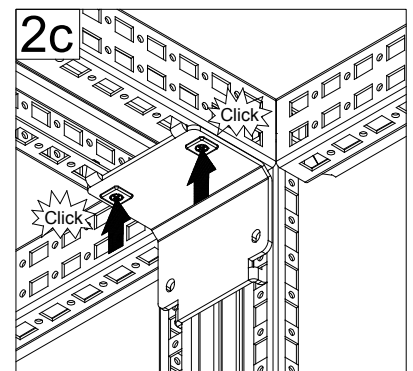
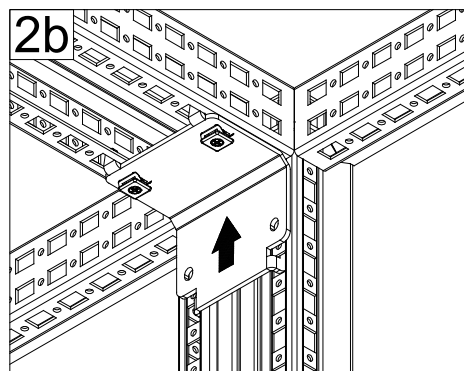
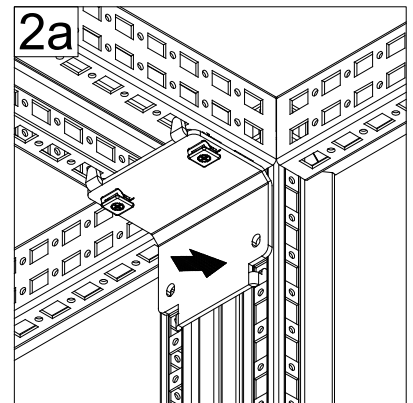
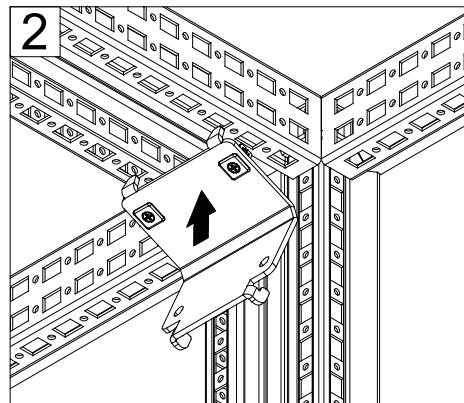
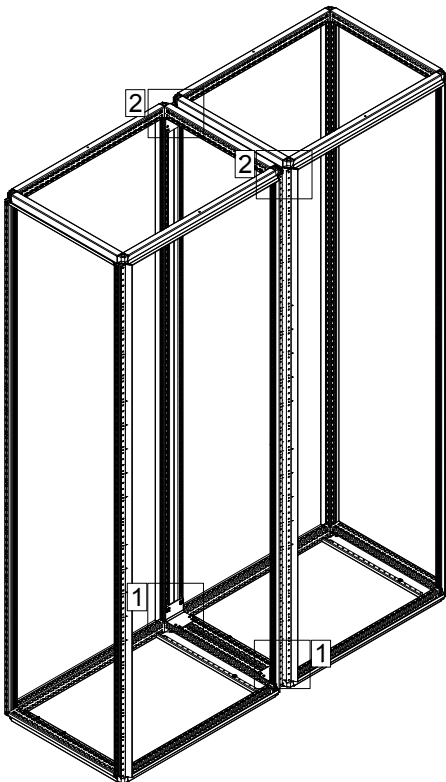
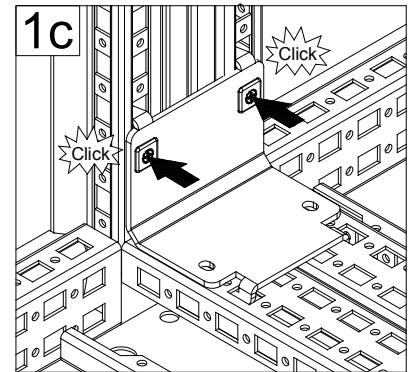
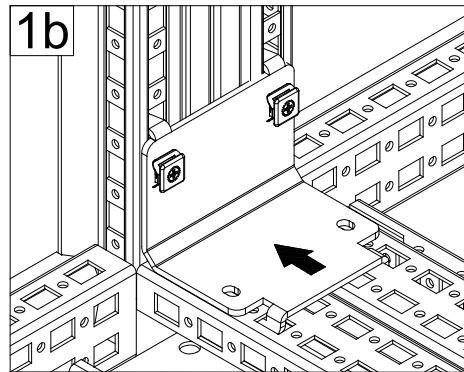
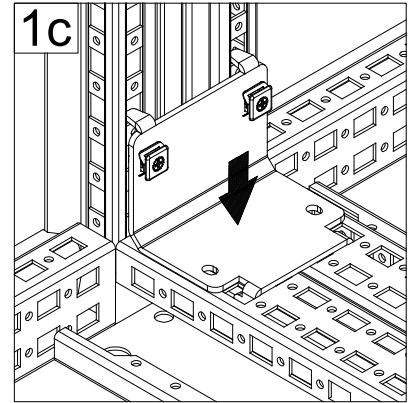
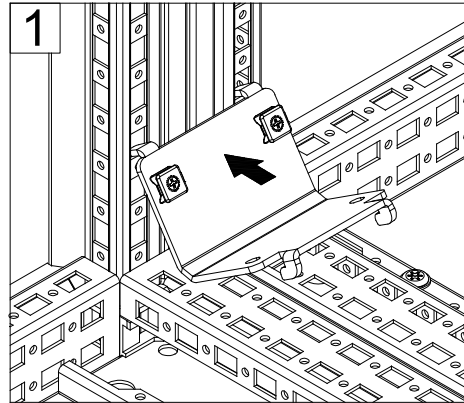
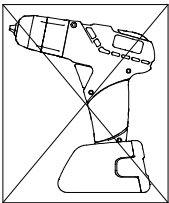
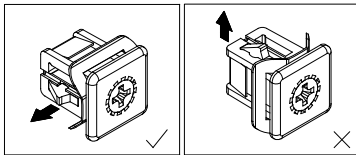
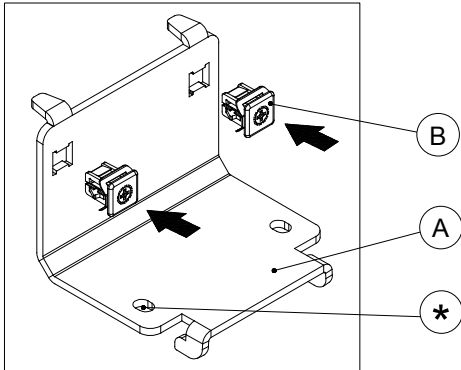




CCM 04

Ref.	Pic.	
A		4
B		8

MOUNTING

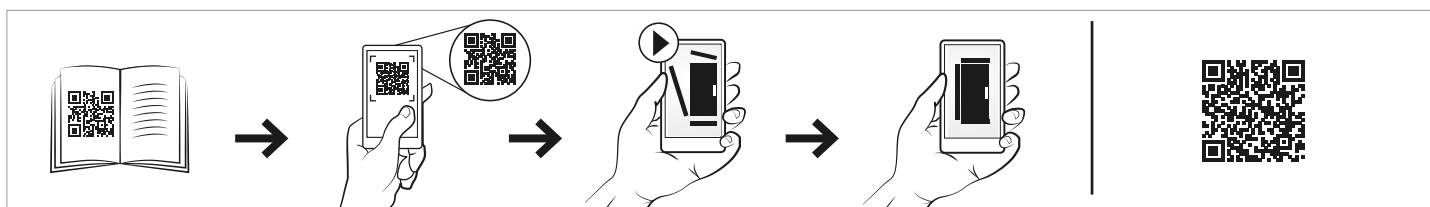
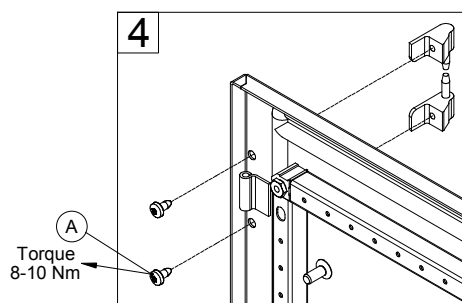
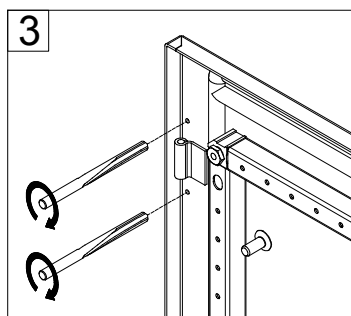
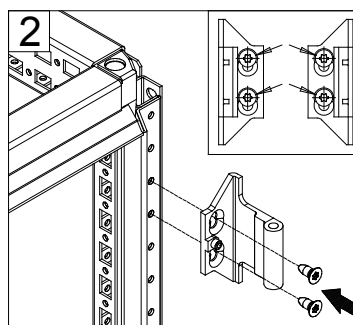
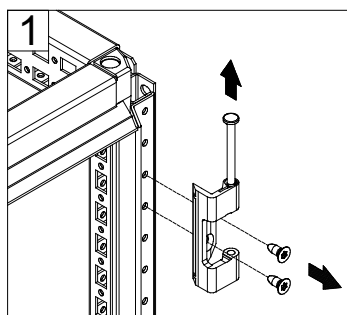
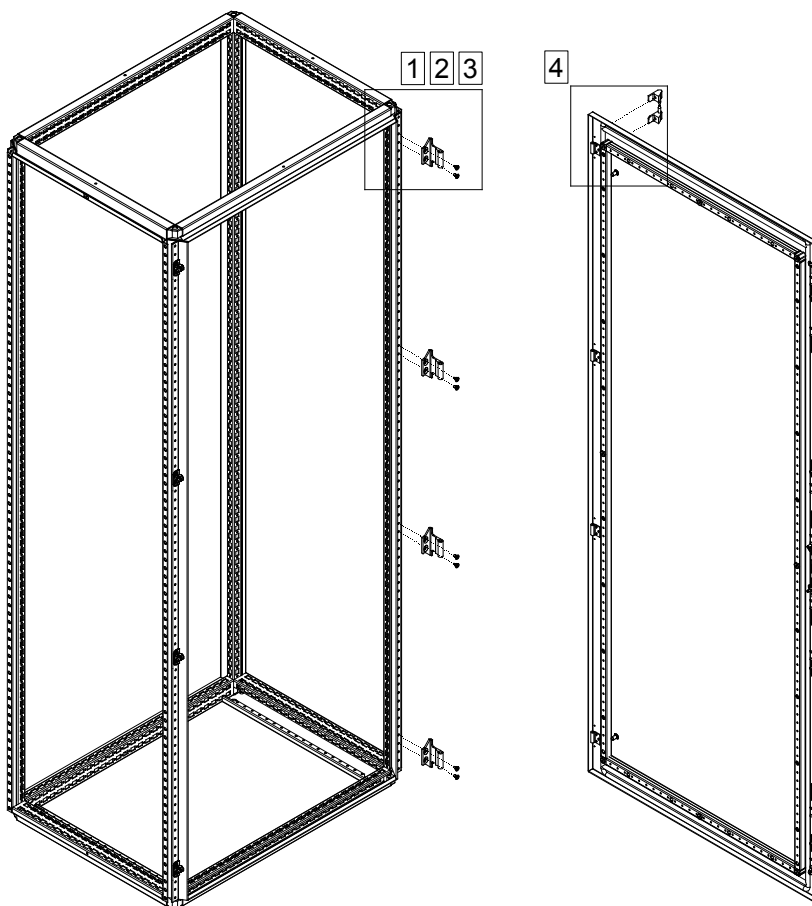
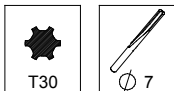


Note: It is mandatory for all four brackets to be installed at all four corners !

* The fixation holes can be used to better fix the bracket to the frame, using cage nuts and screws !

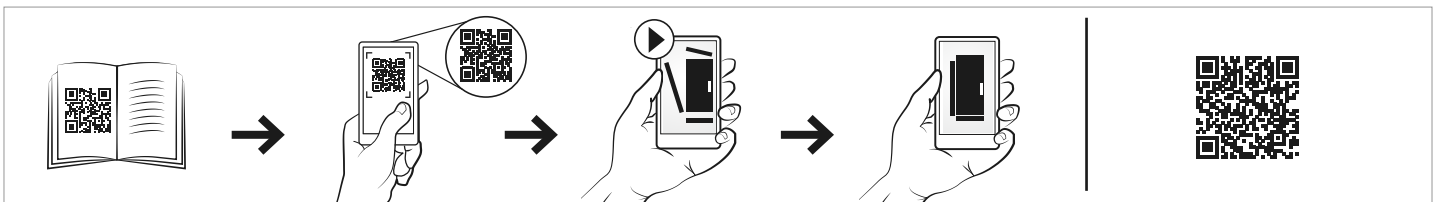
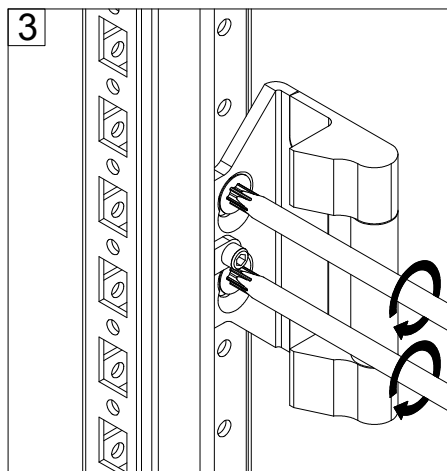
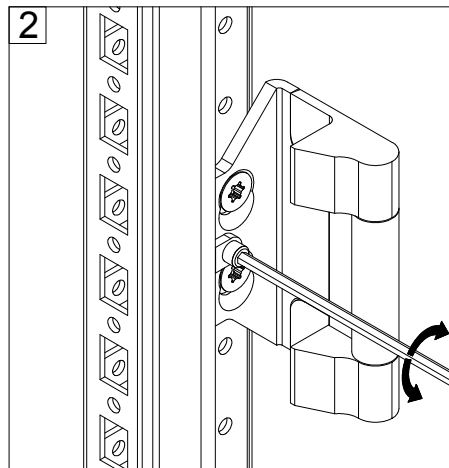
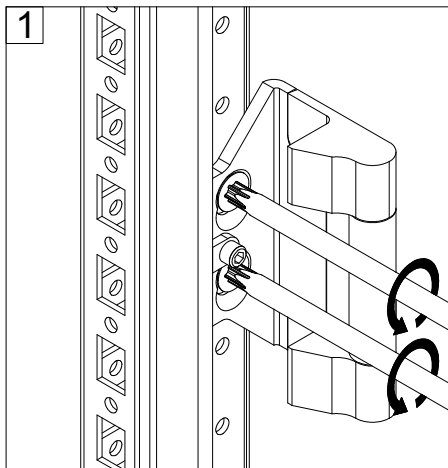
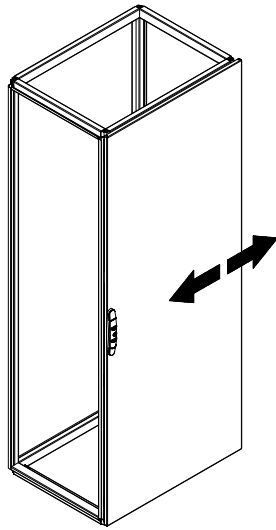
DHN 180

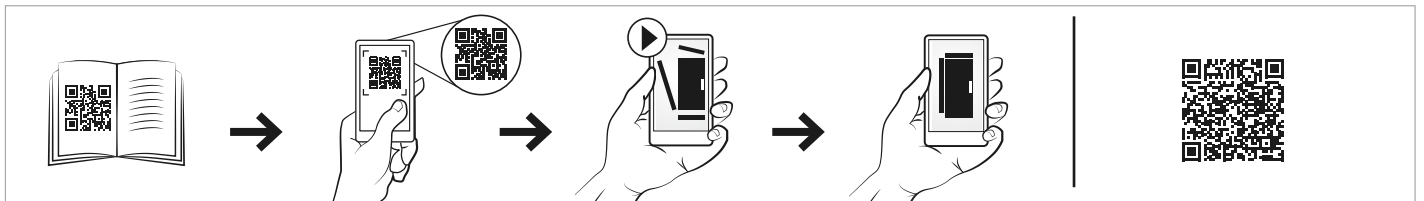
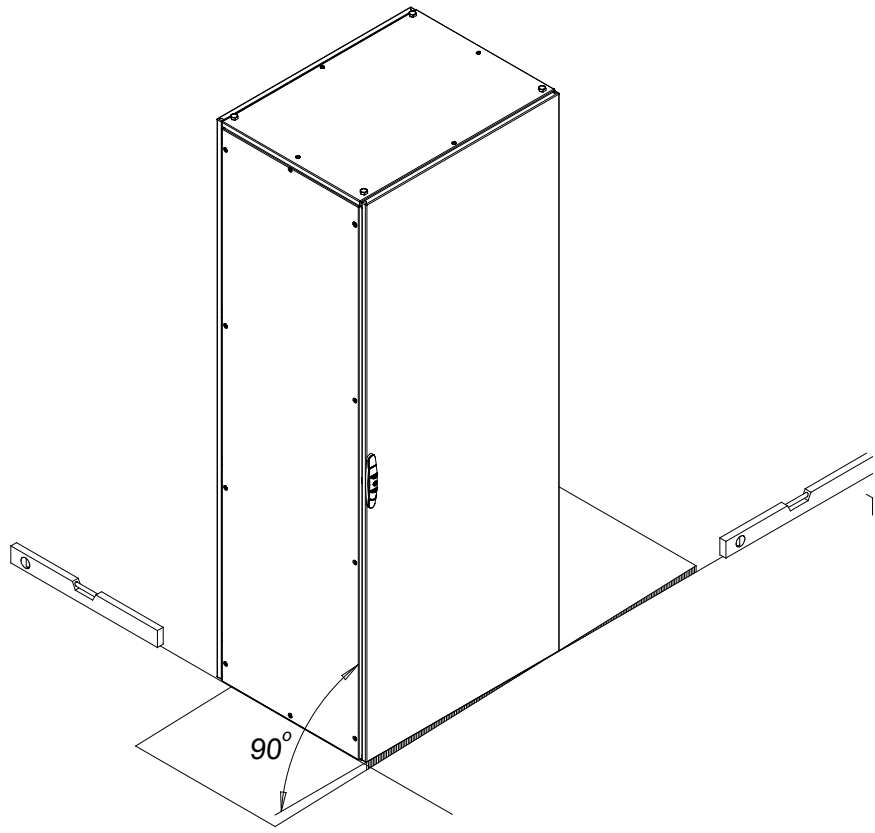
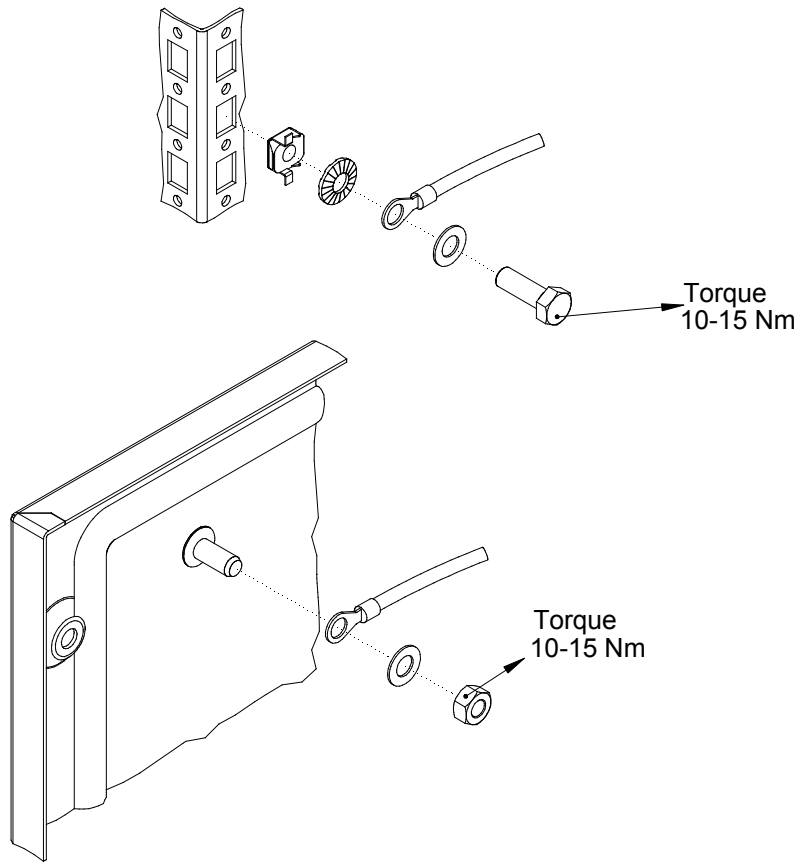
Ref.	Pic.	
A		8

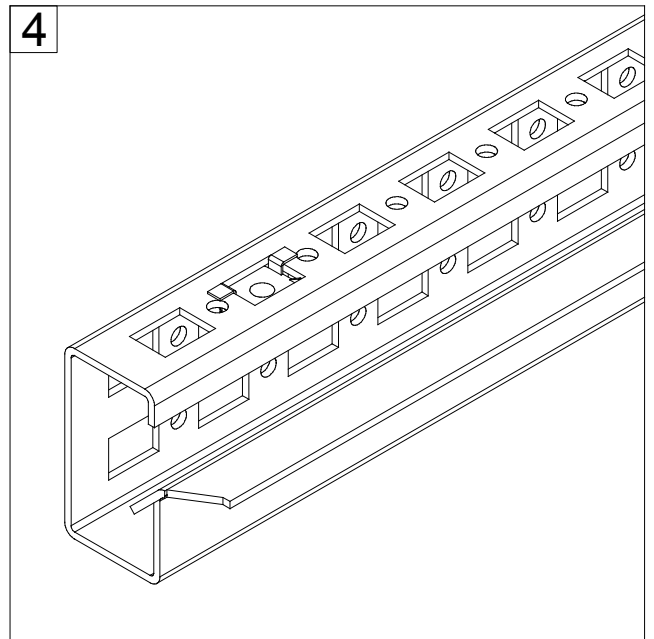
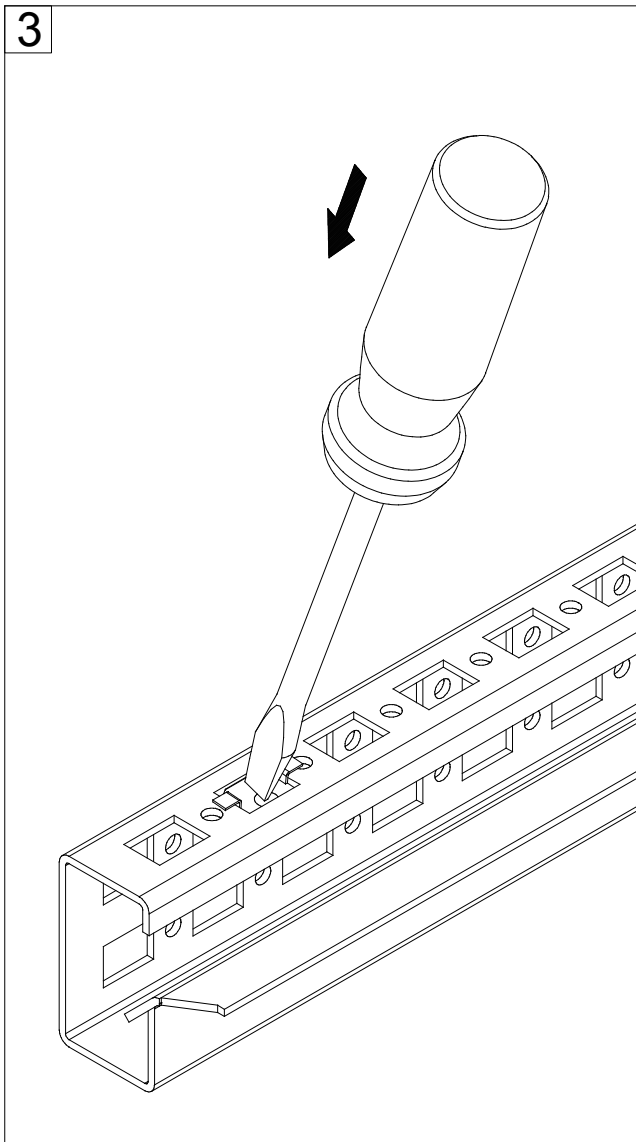
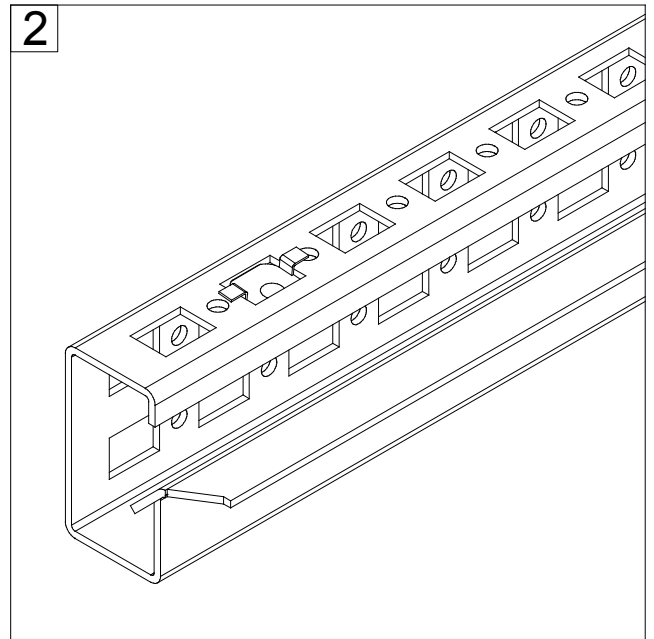
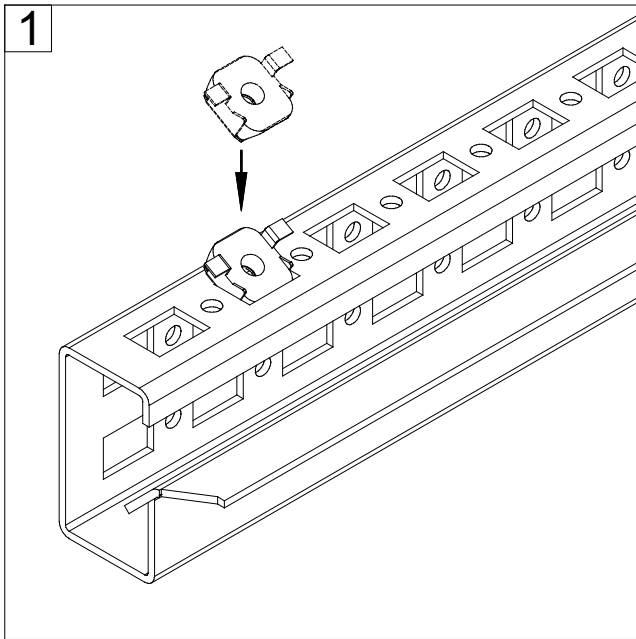


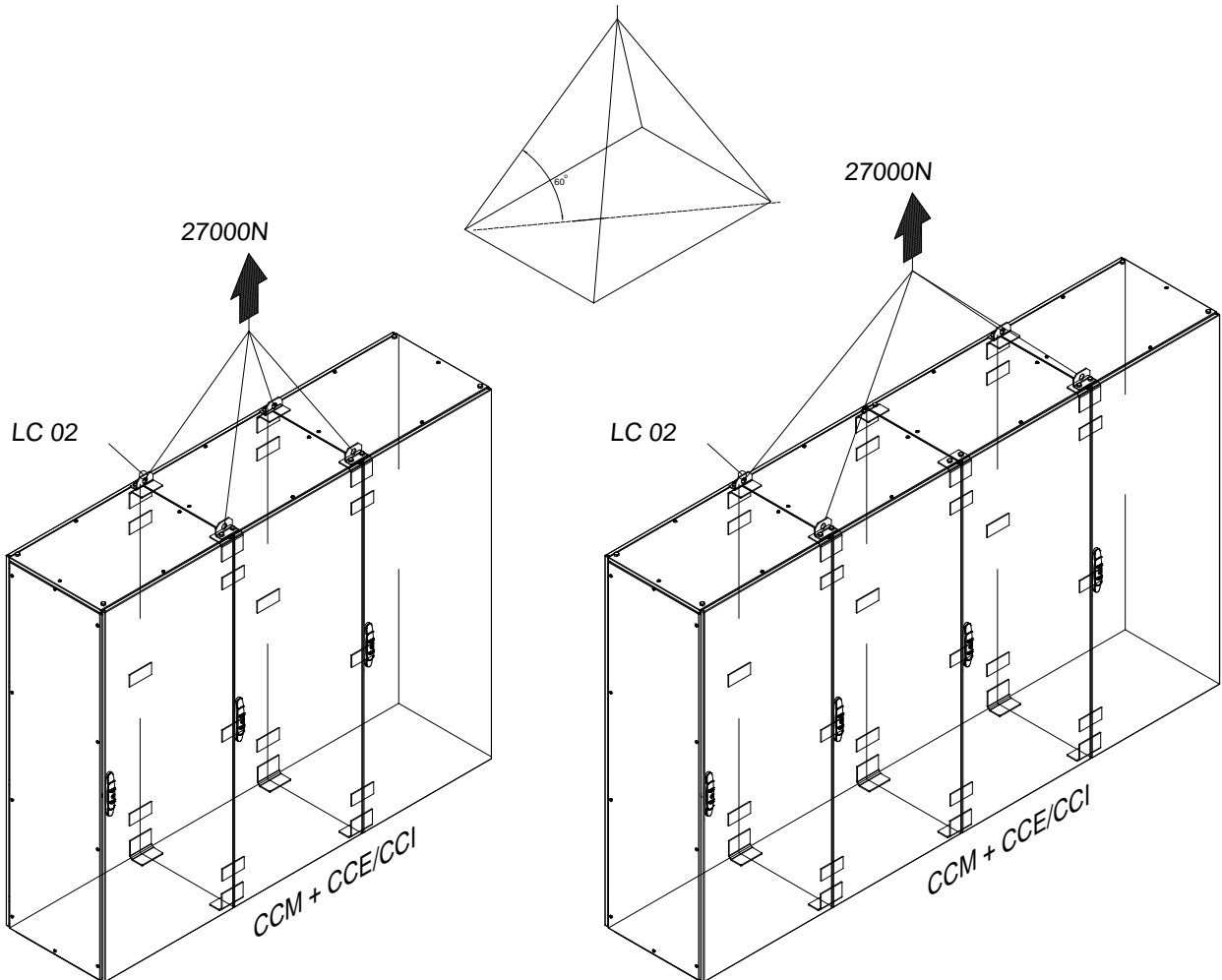
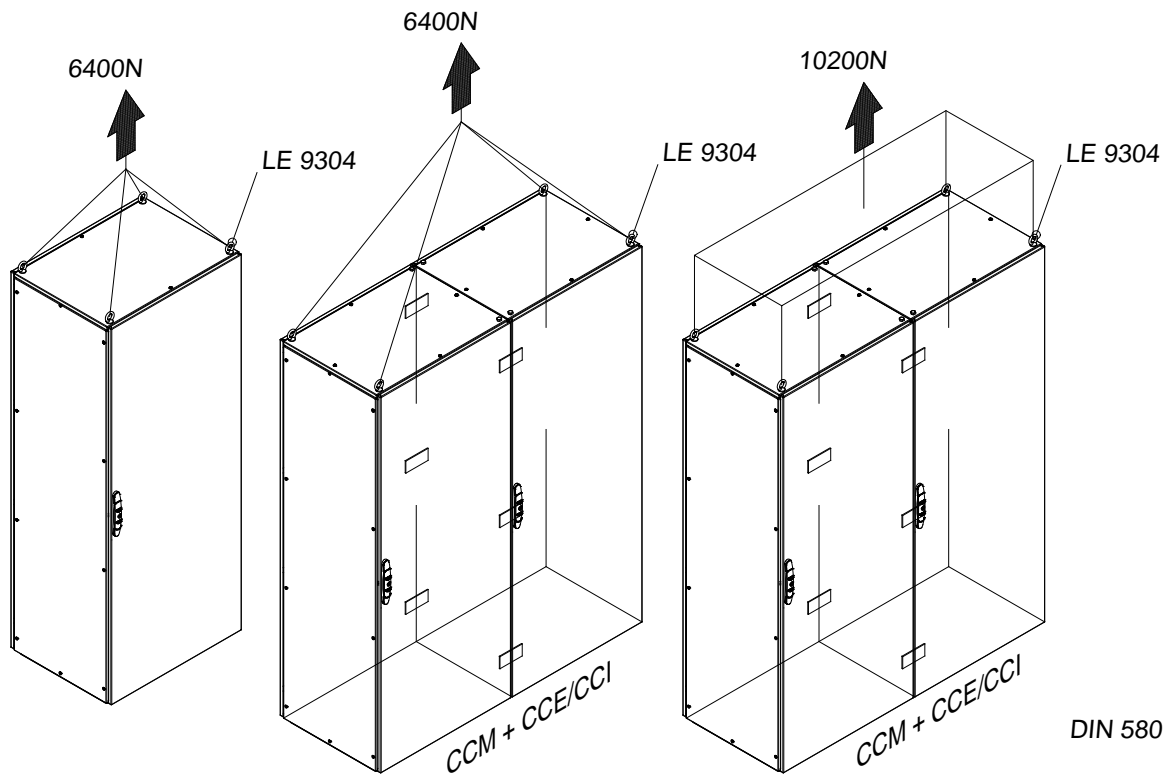


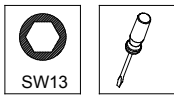
DHN 180 DOOR ADJUSTMENT











Mousepad RH into LH

