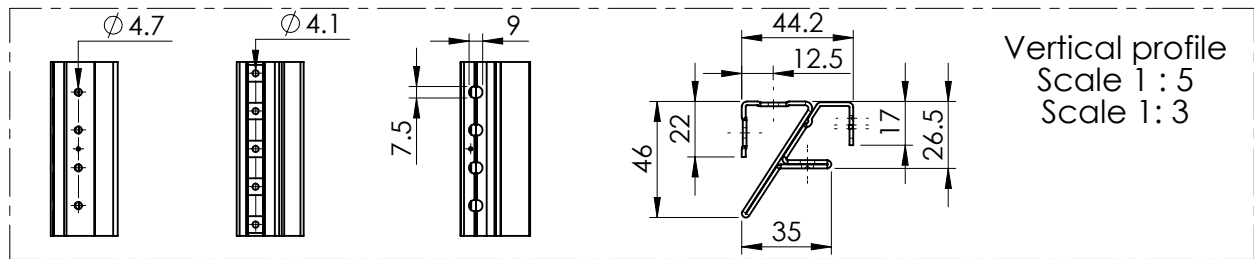
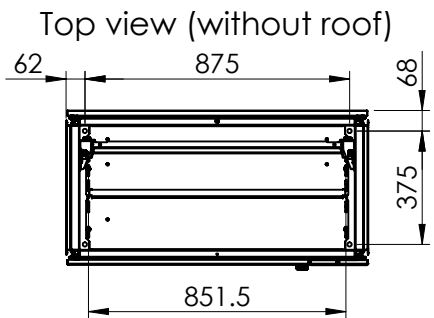
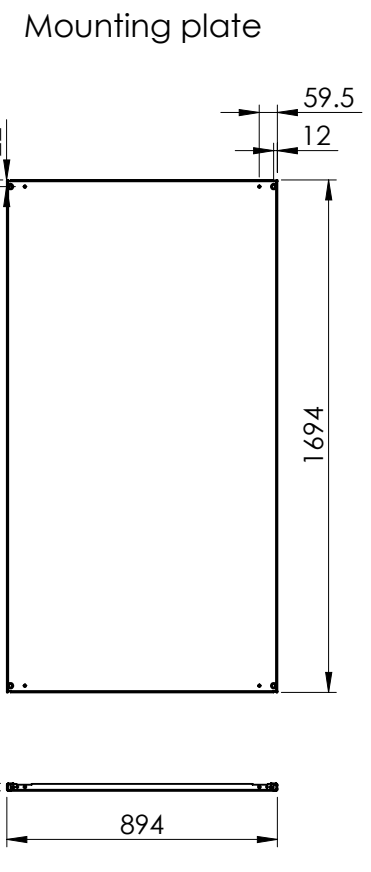
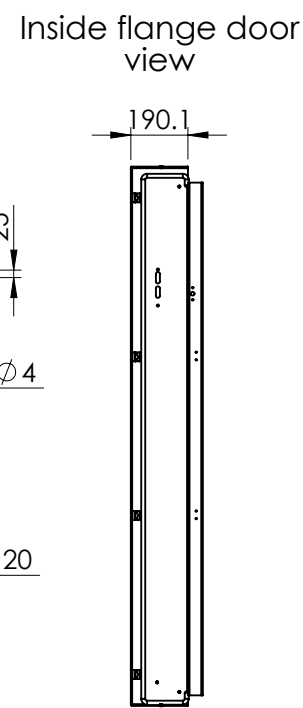
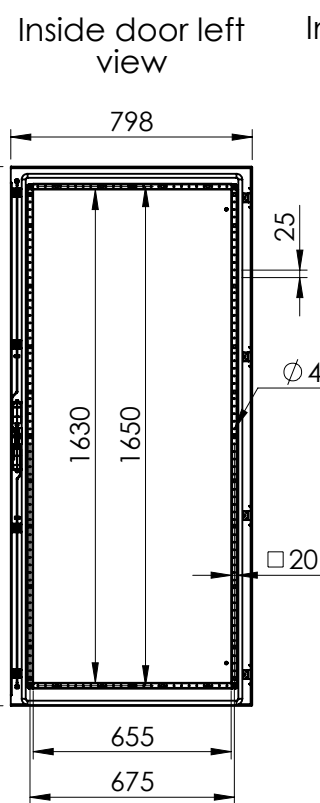
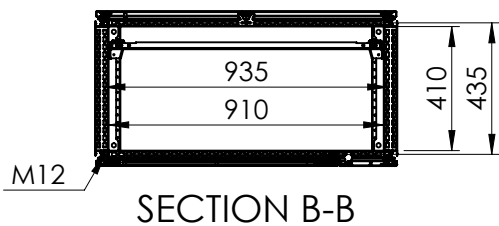


SECTION A-A



Sectional top view (without bottom plates)



Drawn by : bvbura	Date: 15-05-2017	Finish : RAL7035	SCALE:1:25	General tolerances according to Norm ISO 2768-1	
Checked by : mdrojo	Date: 15-05-2017			Fine	Medium
Revision : 01				Coarse	
			Floor standing, Mild steel combinable version, Flange Mount Disconnect		Reference number : MCF18105R5
			1800 mm x 1000 mm x 500 mm		
			Page 1/1		