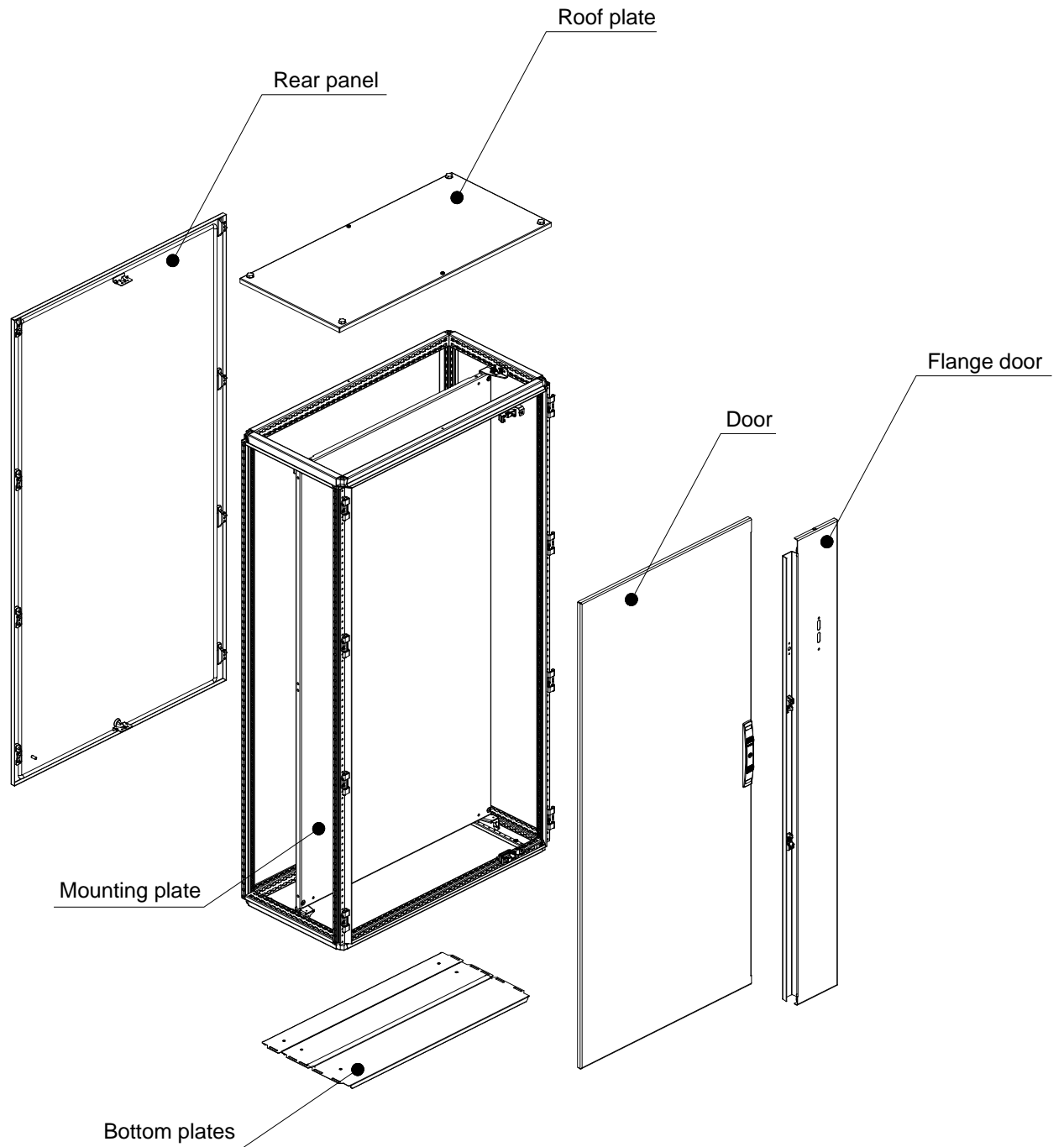


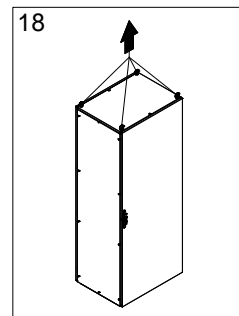
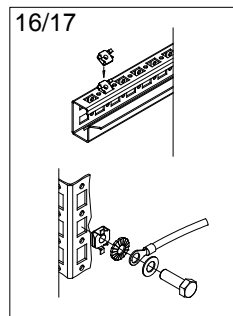
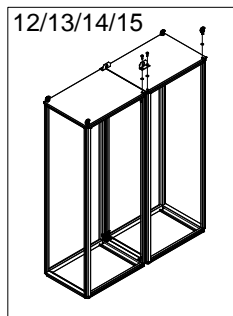
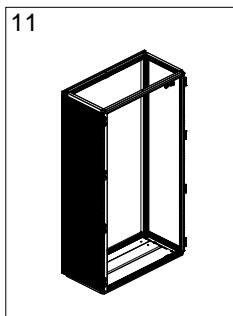
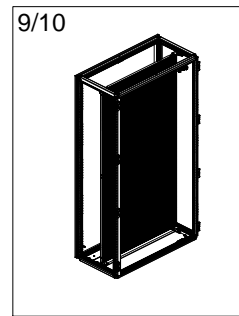
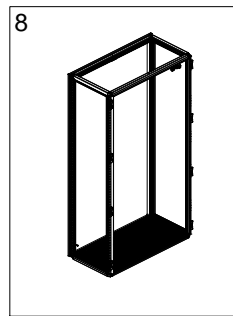
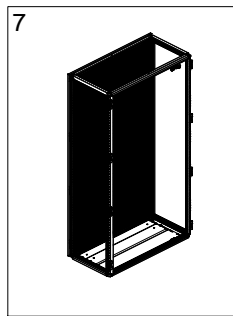
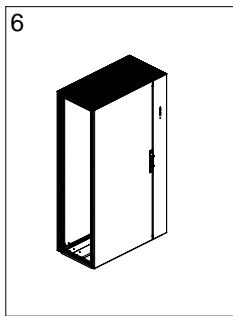
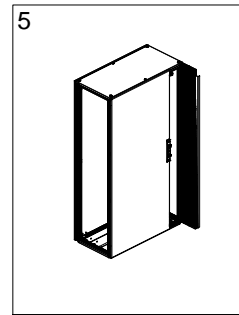
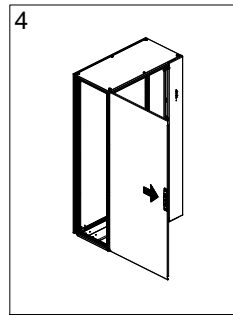
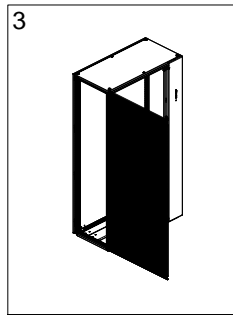
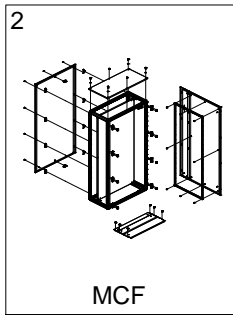
Floor standing enclosures

Mild steel flange mount disconnect MCF

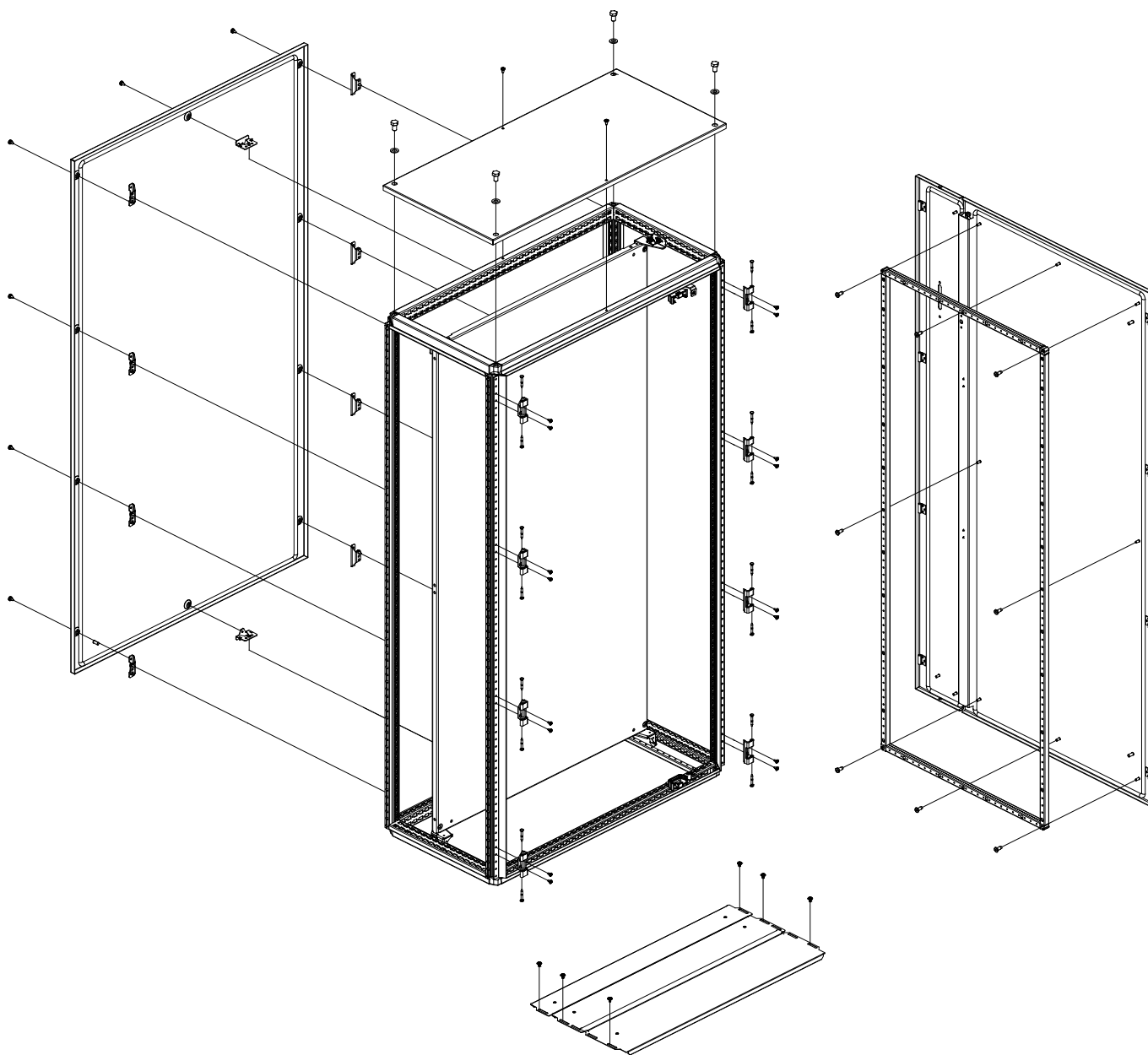
MOUNTING INSTRUCTIONS
7697-0502-31 REV.0







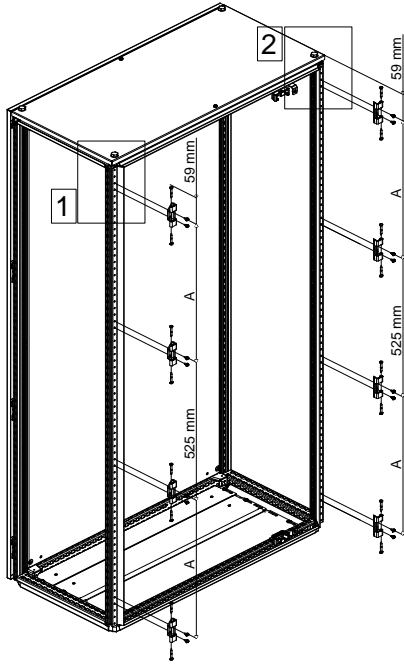
MCF



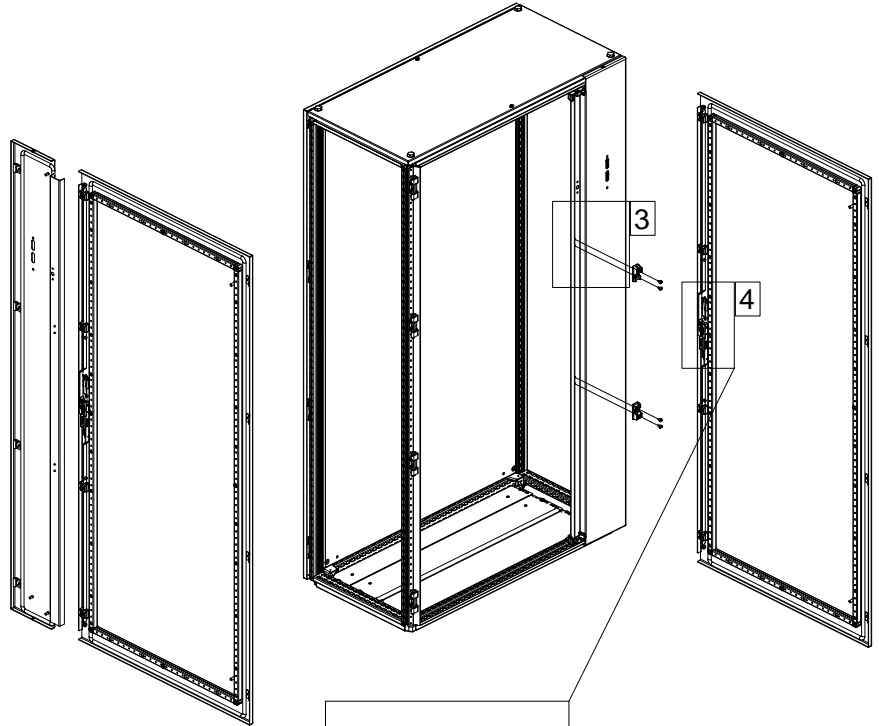


COMBINABLE ENCLOSURE

a.



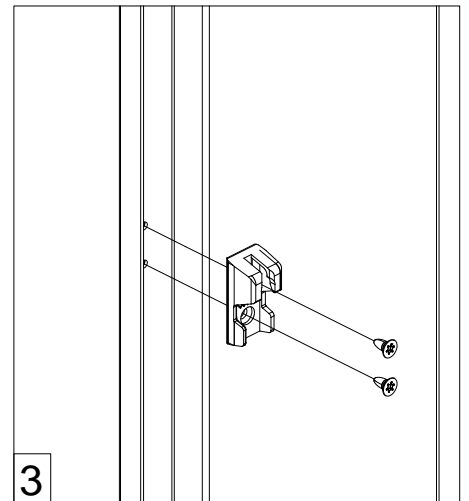
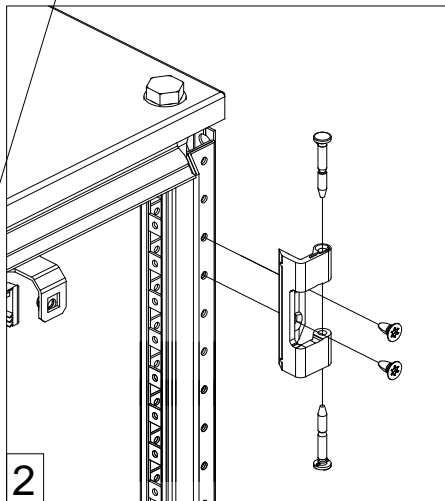
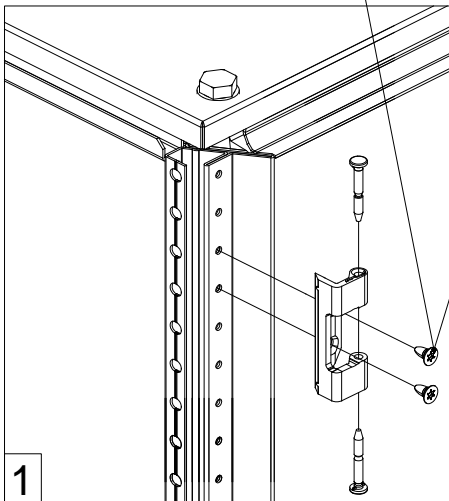
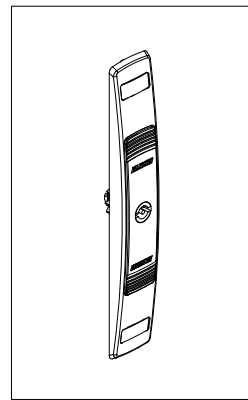
b.

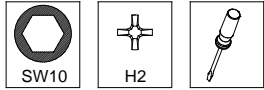


H	A
1800	525
2000	625

Torque
4.5-5 Nm

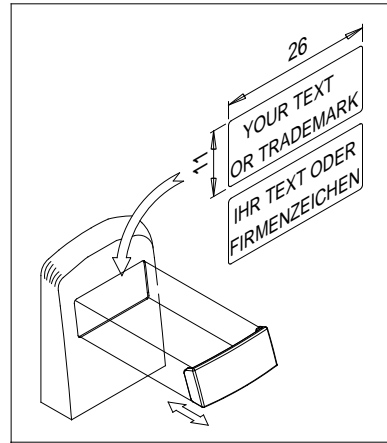
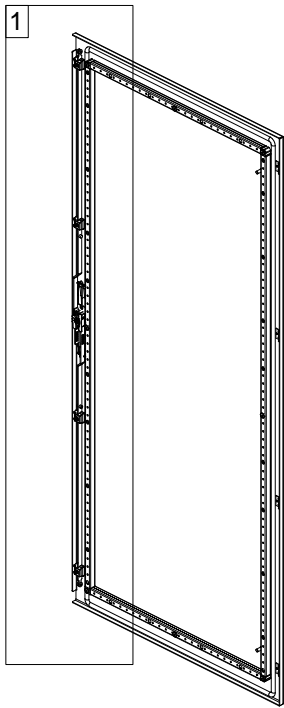
D





MCF locking system

Ref.	Pic.	Qty.
A	4.2x16	2
B	M6x10	1
C		1
D	M6	4
E		1



Torque 10-15 Nm

(B)

Torque 8-10 Nm

(A)

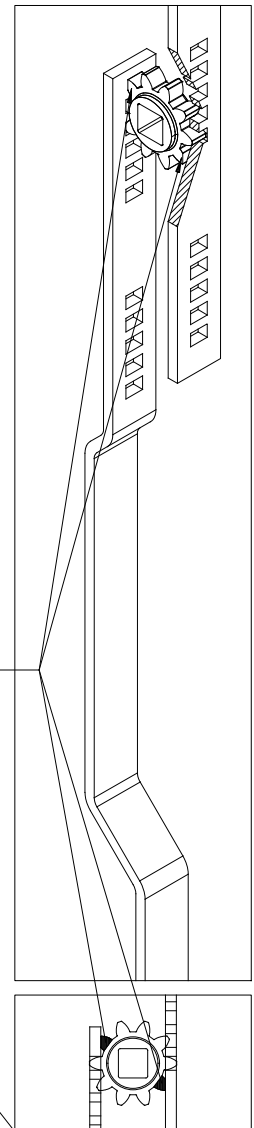
Torque 5.5-8 Nm

(C)

(C)

(E)

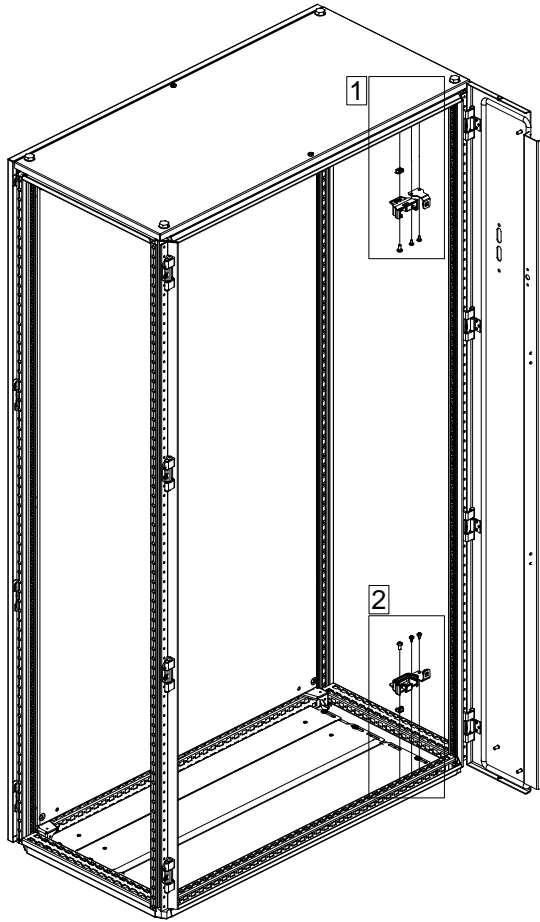
STOP



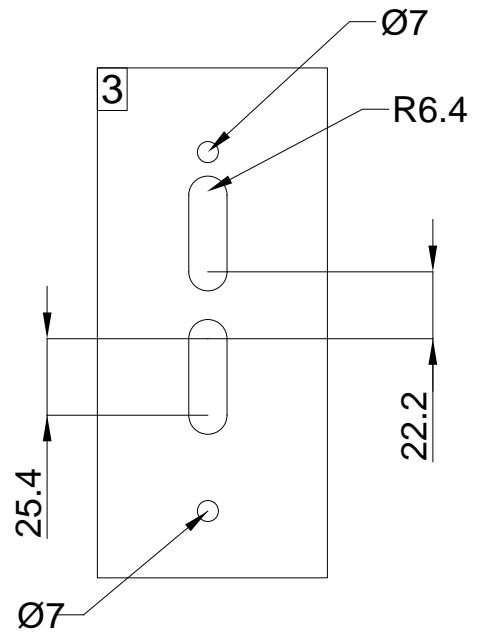
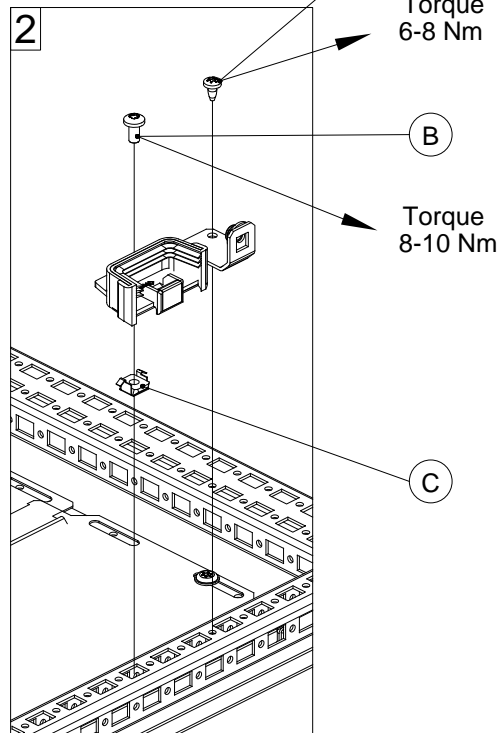
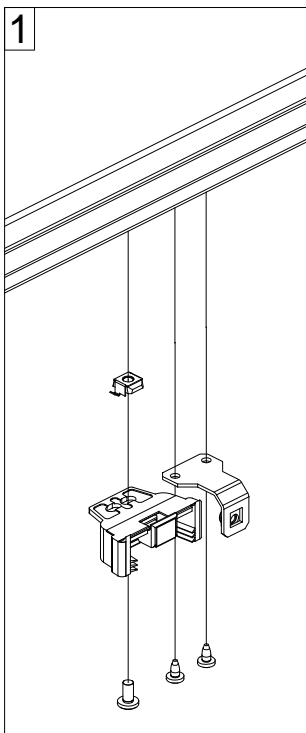
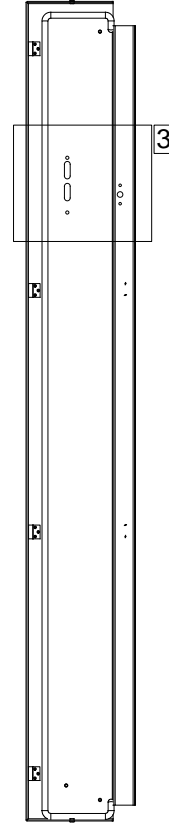


MCF-Flange door

Ref.	Pic.	Qty.
A	M6x10	4
B	M6x12	2
C	M6	2



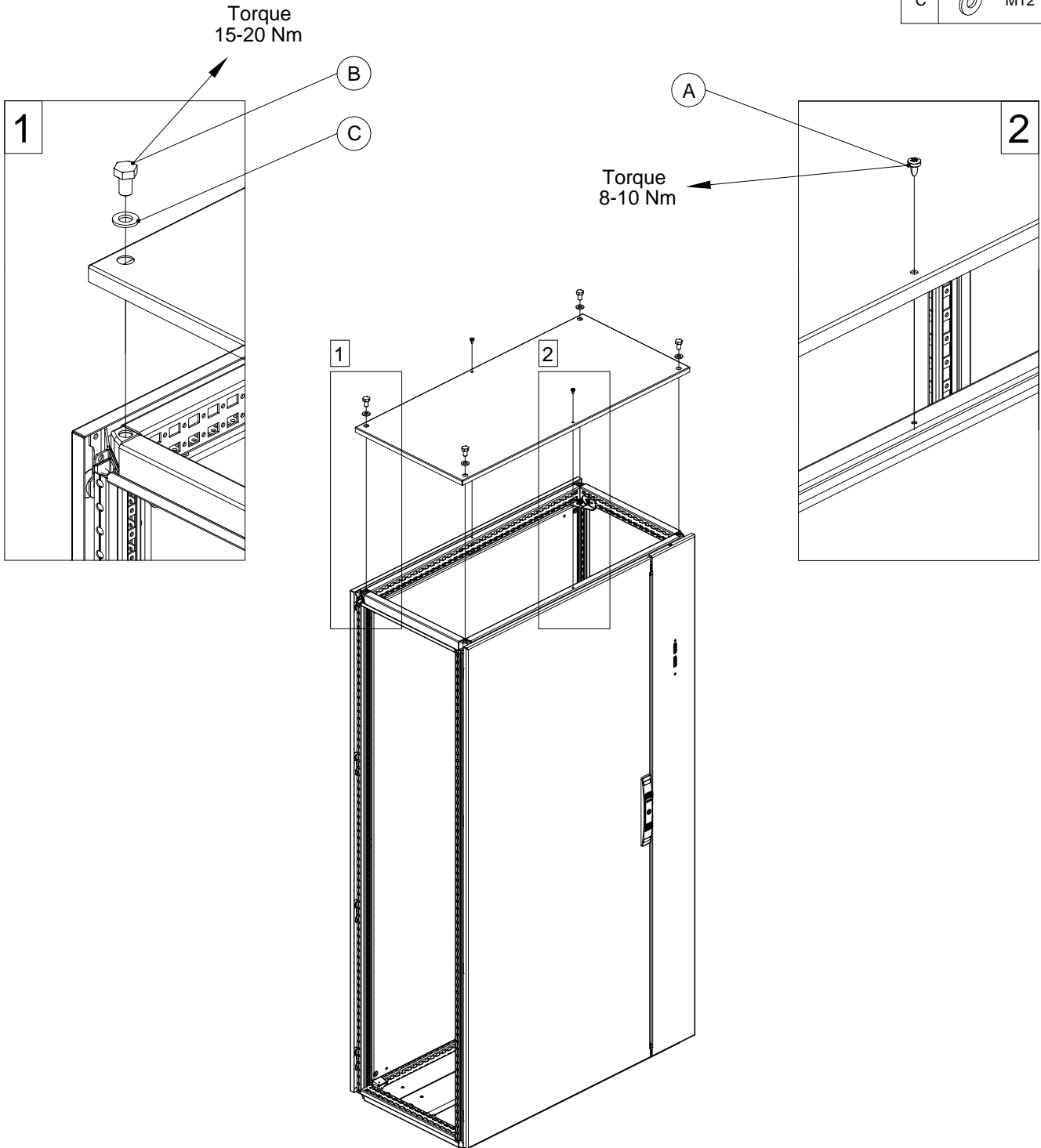
Universal cut-out





MCF-Top Panel

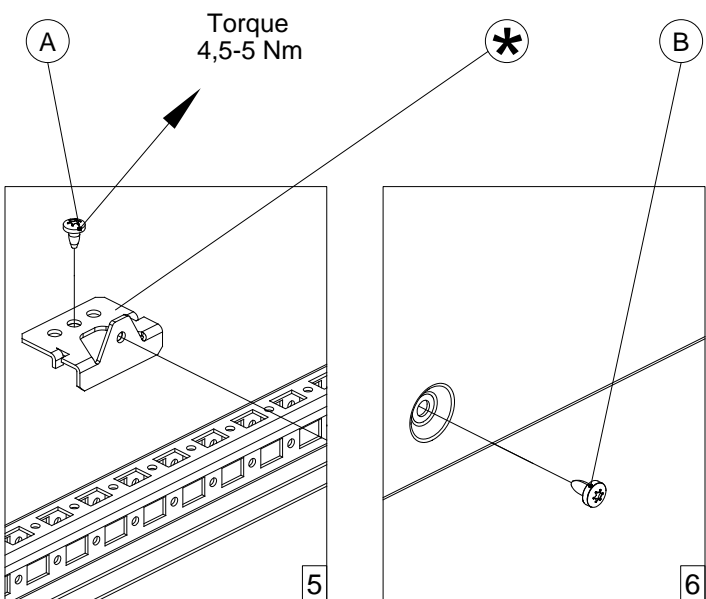
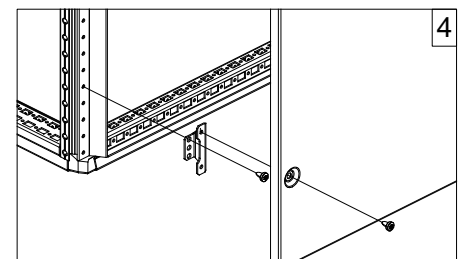
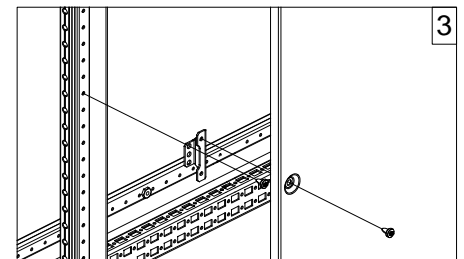
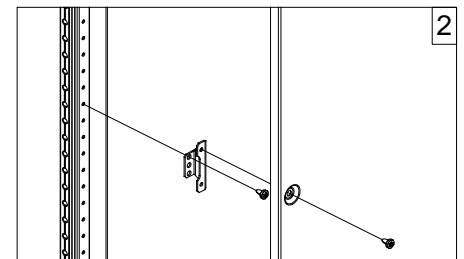
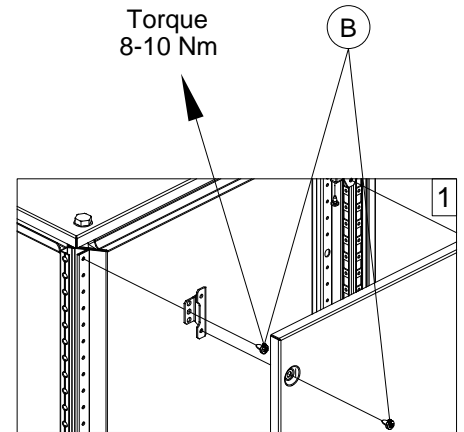
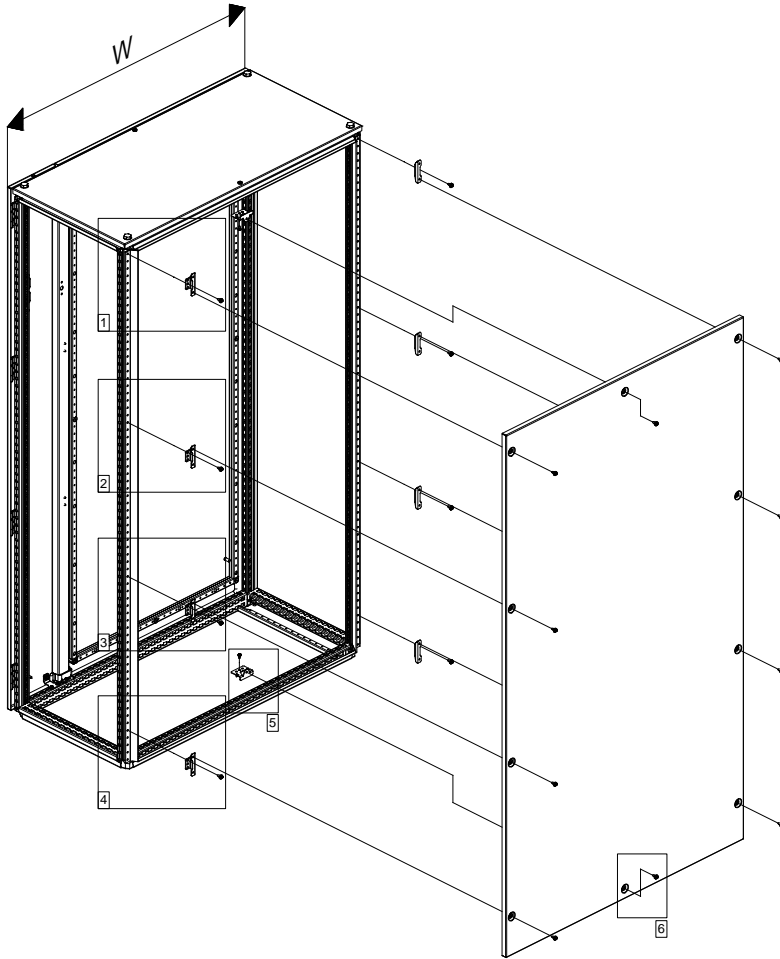
Ref.	Pic.	Qty.
A	M6x12	2
B	M12x20	4
C	M12	4



MCF-Rear Panel



Ref.	Pic.	W (mm)	<1000	≥1000
A		M5x10	-	2
B		M6x12	22	24

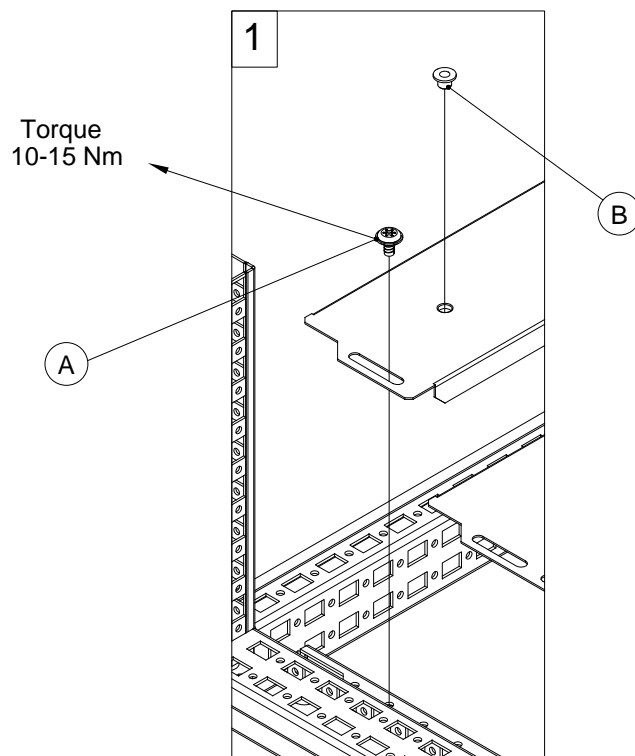
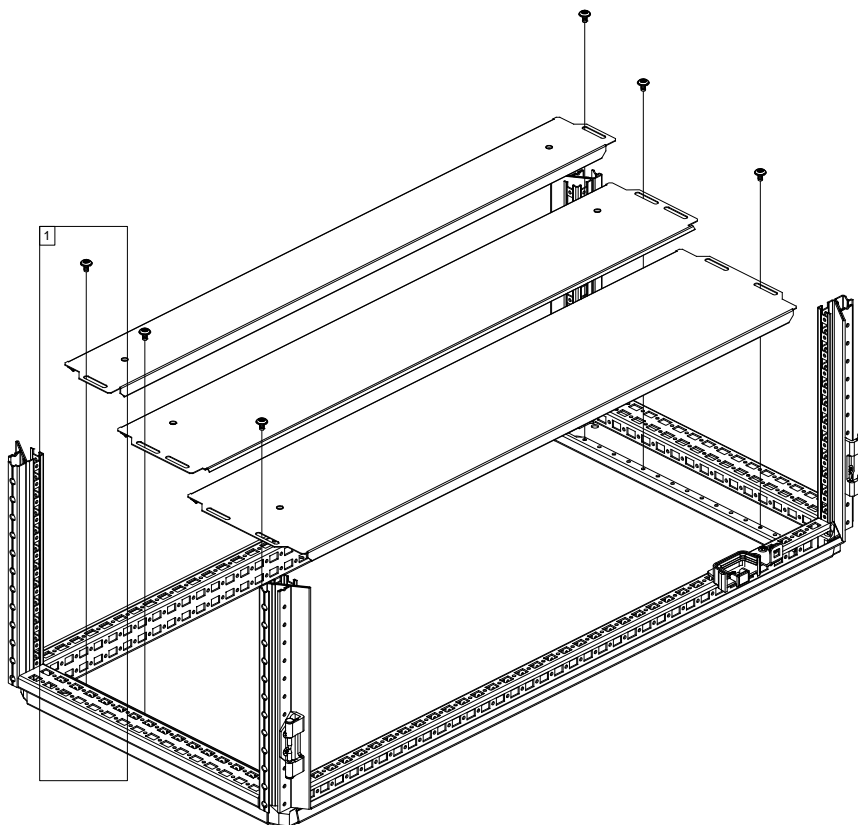


* - Used on enclosures 1000mm and 1200mm wide.

MCF



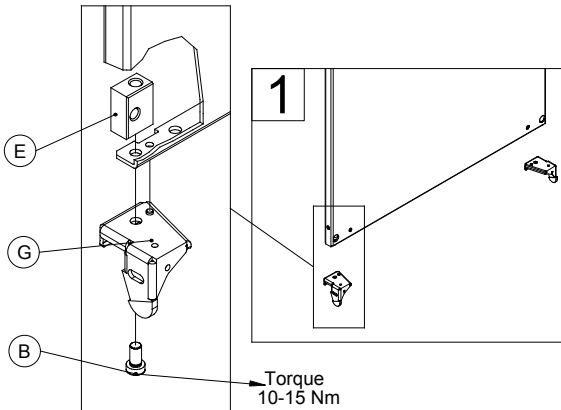
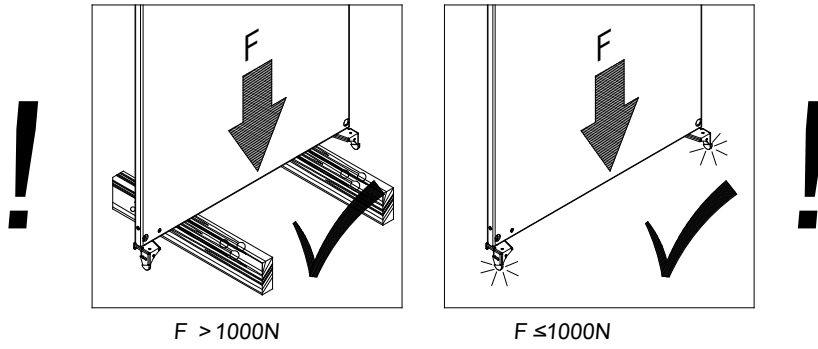
Ref.	Pic.	Qty.
A	St. 5.5x10	6
B		5



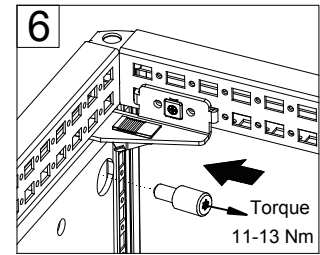
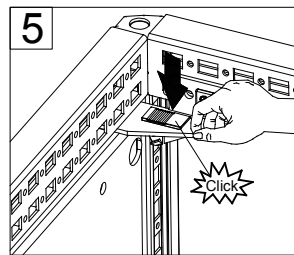
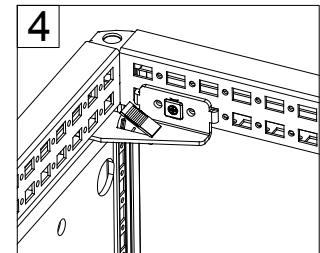
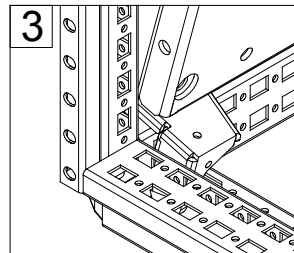
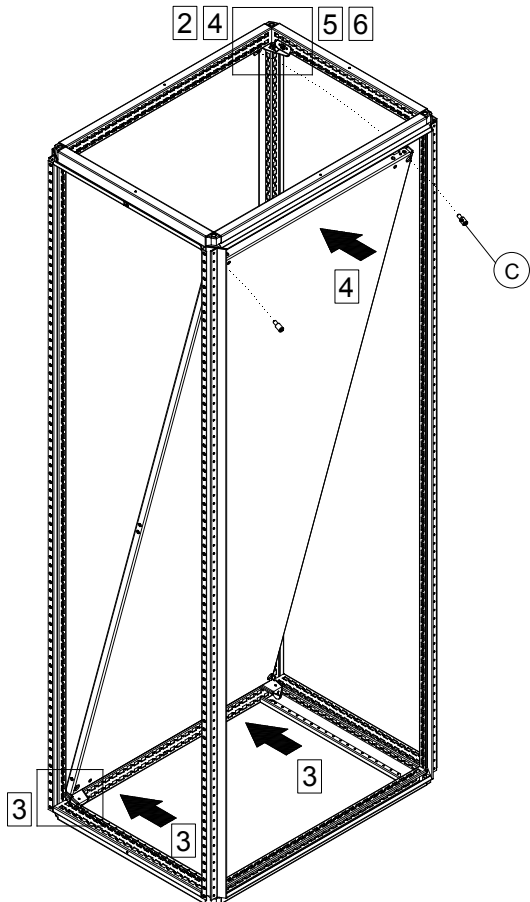
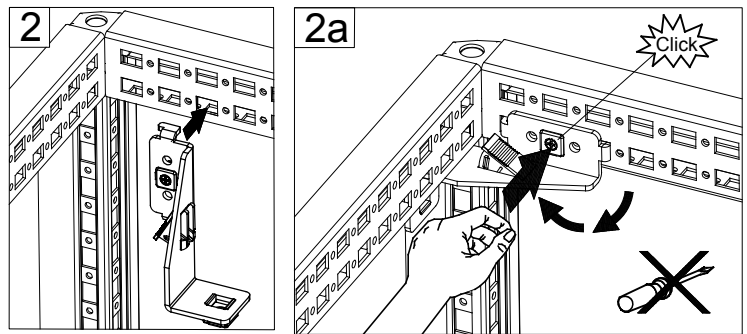


MOUNTING PLATE

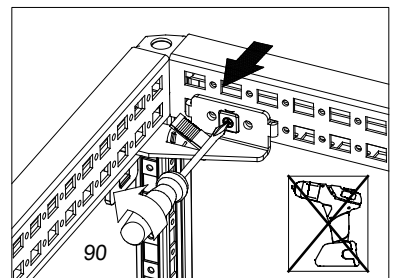
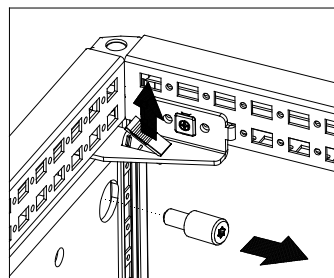
Ref.	Pic.	Qty.
A		2
B		2
C		2
D		1
E		1
F		1
G		1



MOUNTING



UNMOUNTING

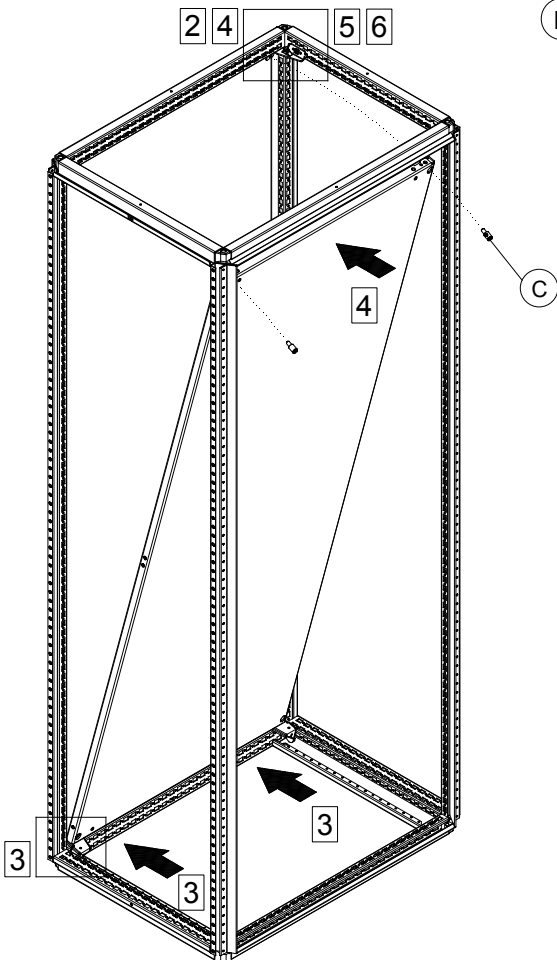
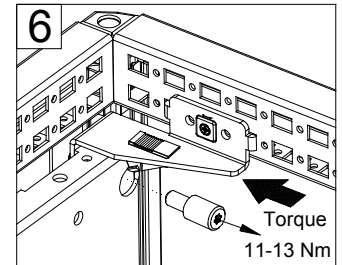
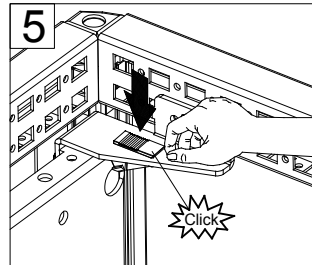
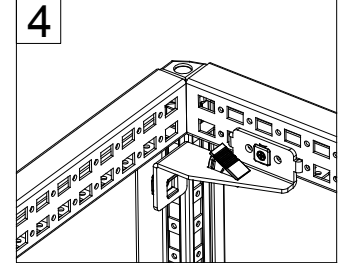
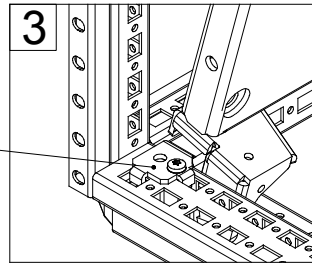
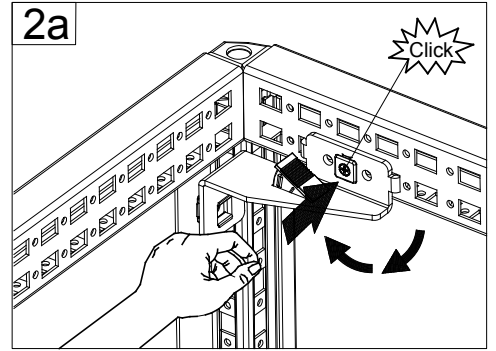
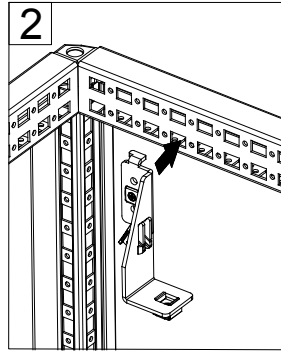
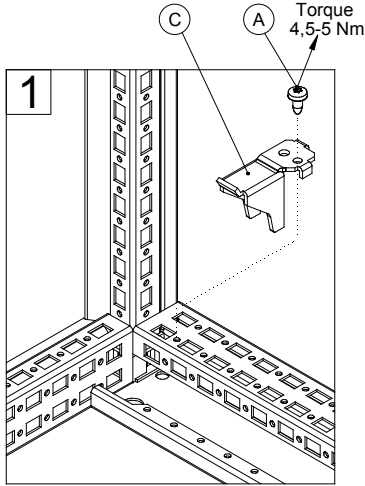


MPD02

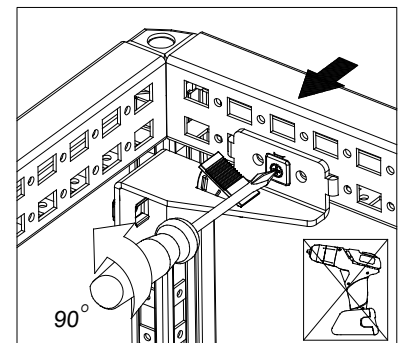
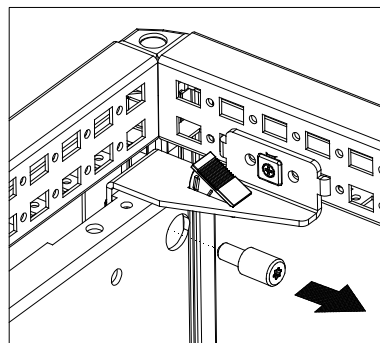


Ref.	Pic.	Qty.
A	M5x10	2
B	Bottom left	1
C	Bottom right	1

MOUNTING



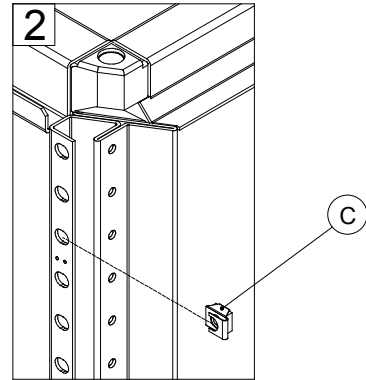
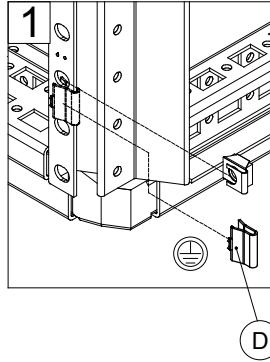
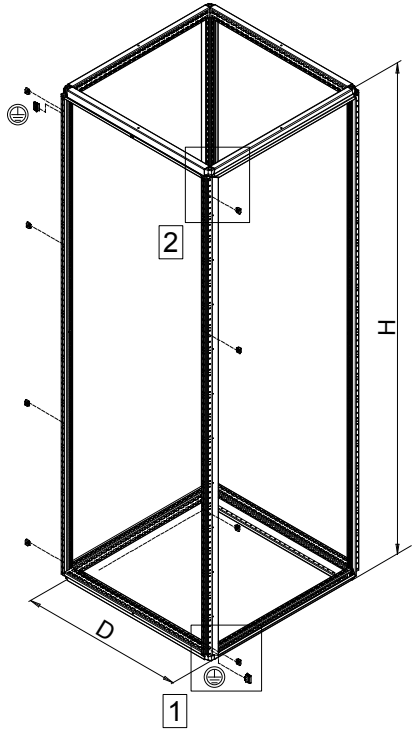
UNMOUNTING



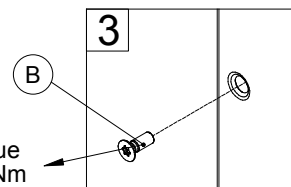
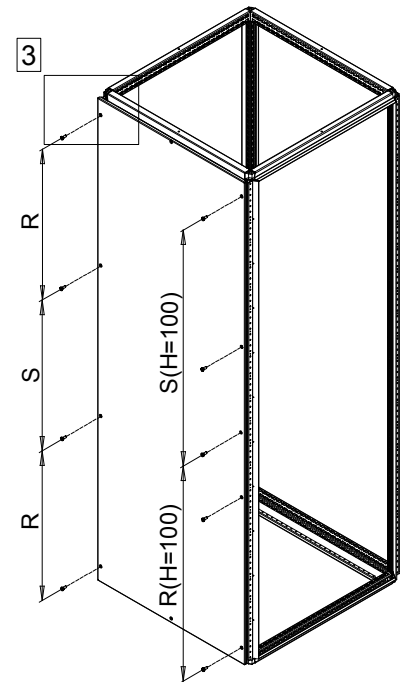
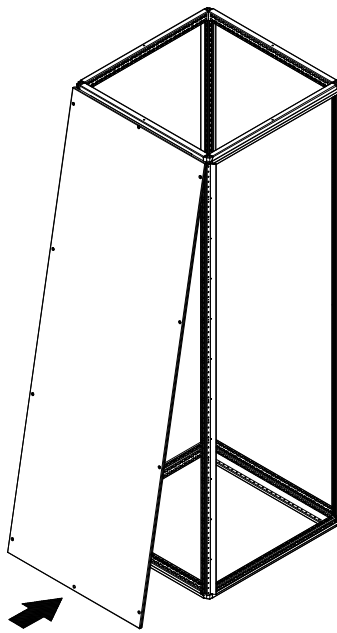
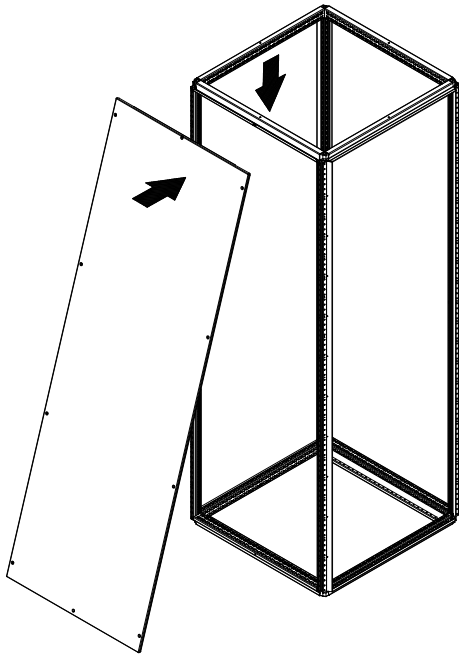


SPM

Ref.	Pic.	Qty.
A	M6x12	0/1
B	M6x16	6/8/9
C	M6	6/8/9
D		2



H	R	S
1800	525	575
2000	625	575



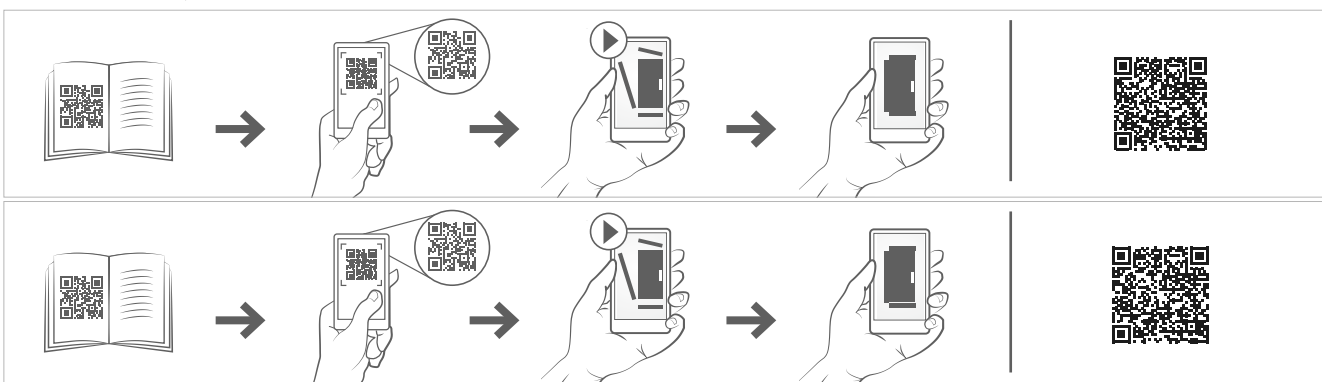
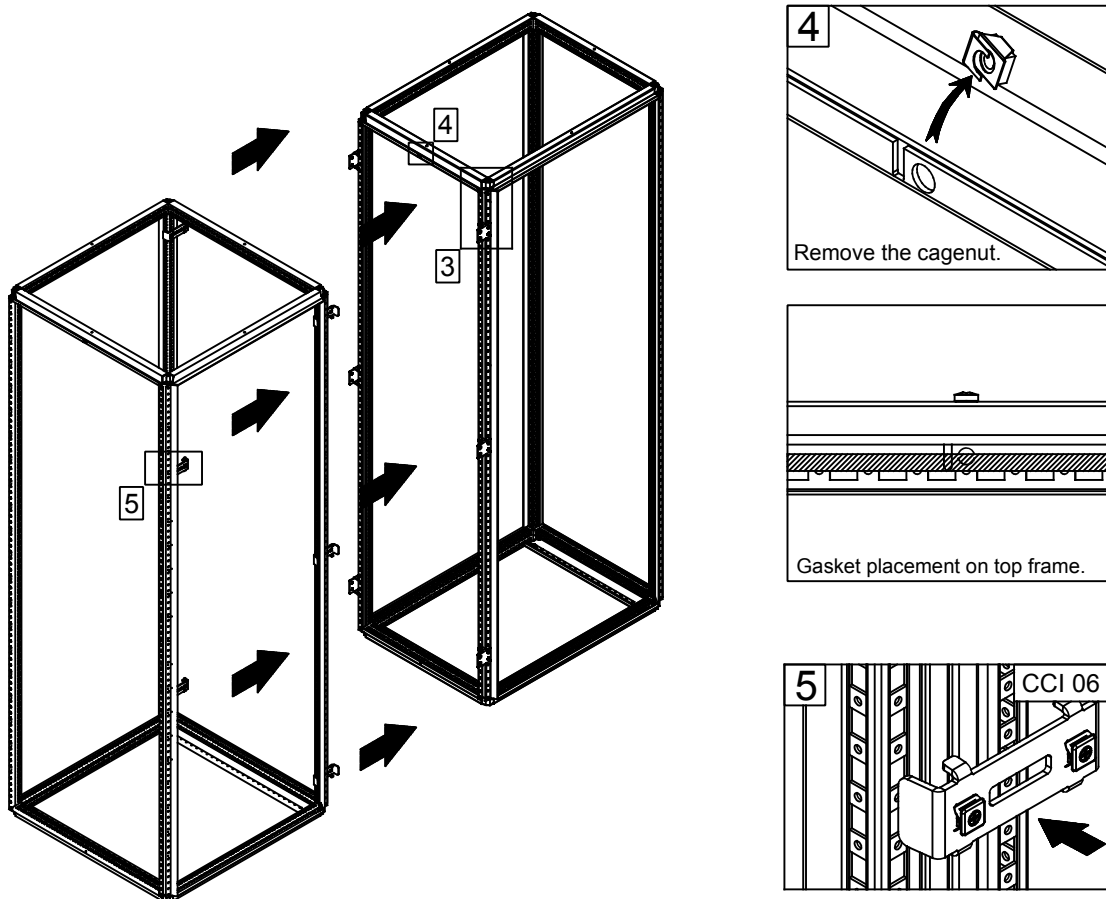
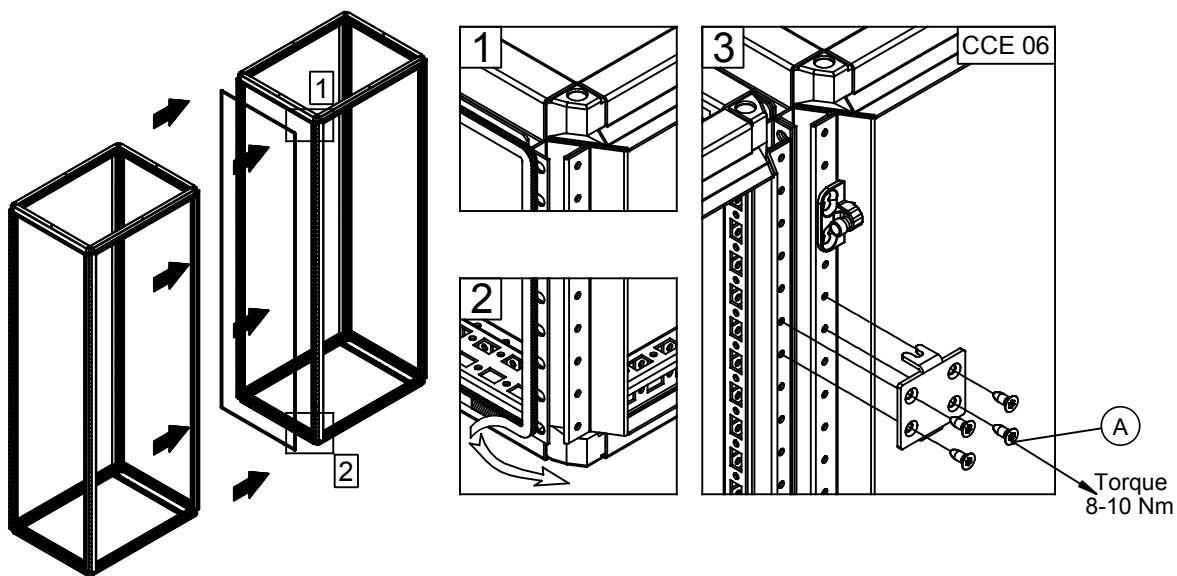
* - Used only on enclosures 800mm deep and above.

Torque
8-10 Nm



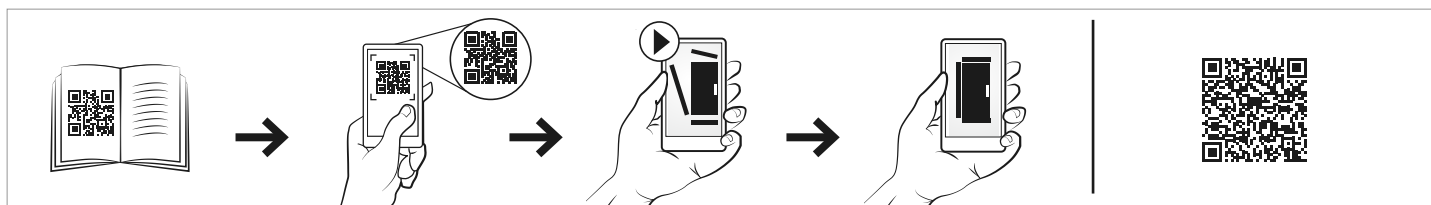
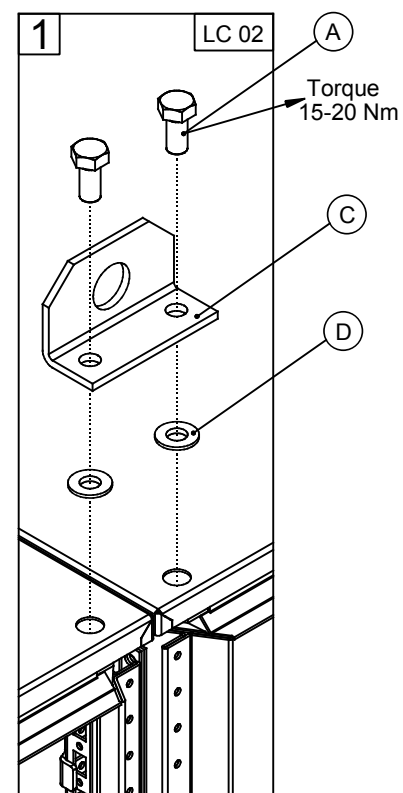
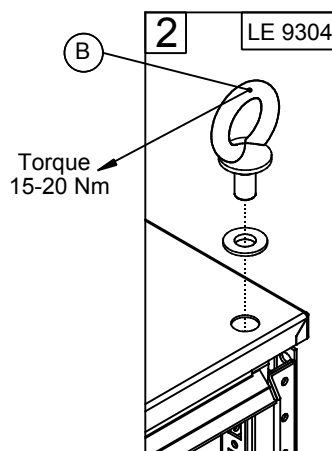
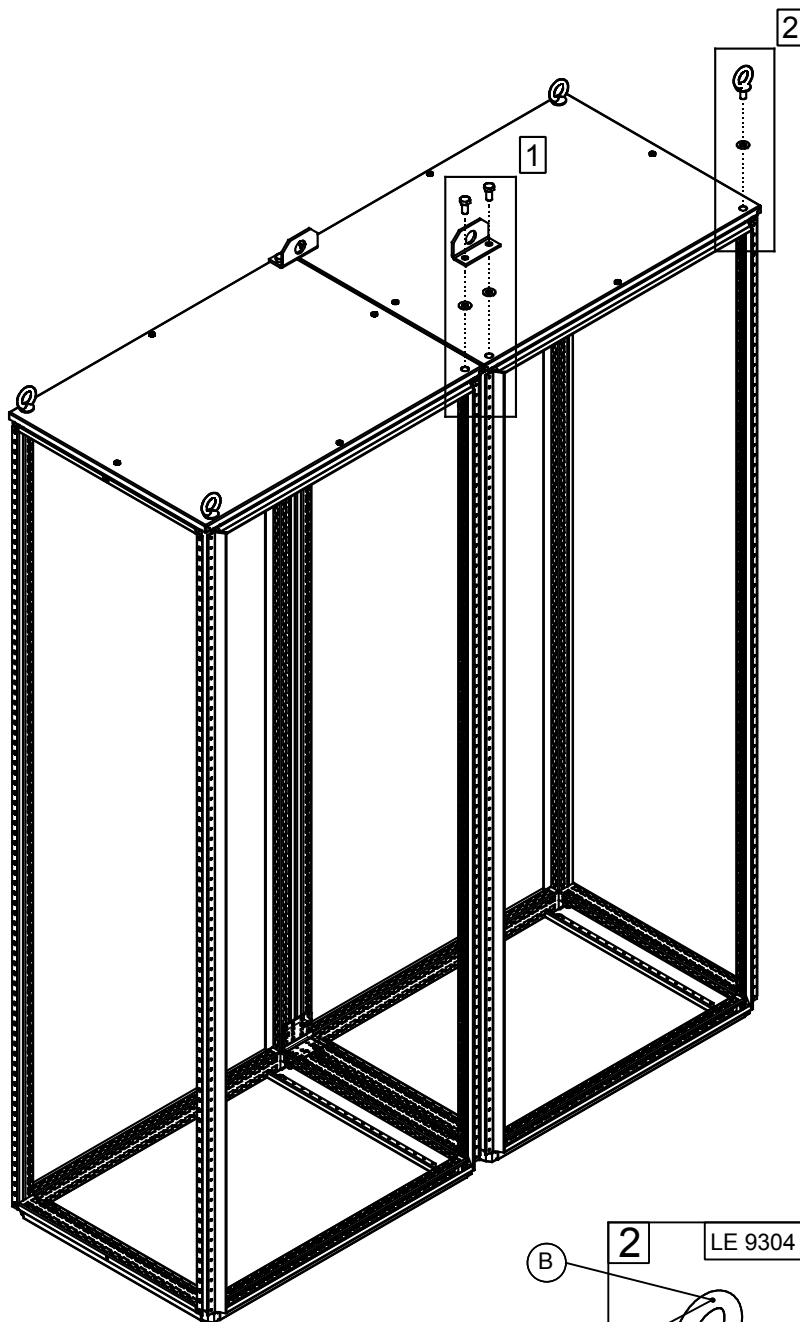


Ref.	Pic.	Qty.
A		8
B		6
C		12
D		6





Ref.	Pic.	Qty.
A		4
B		4
C		2
D		4

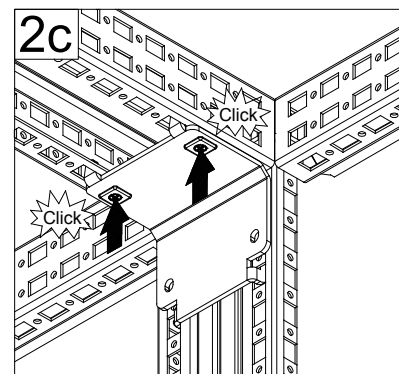
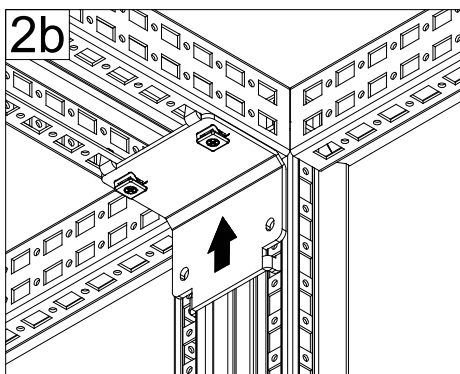
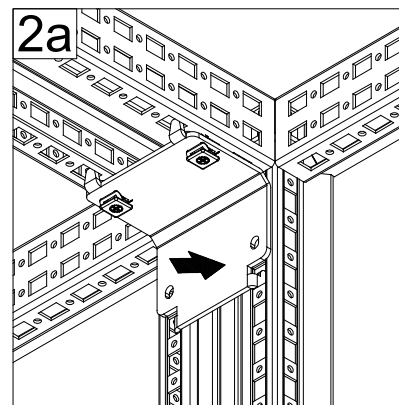
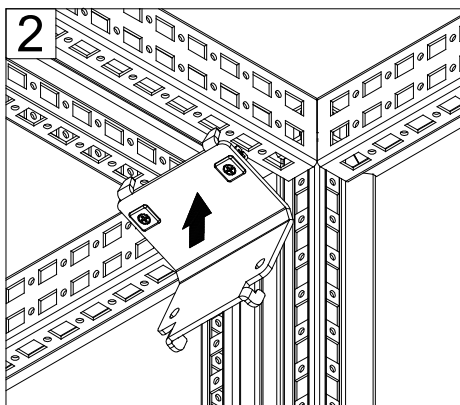
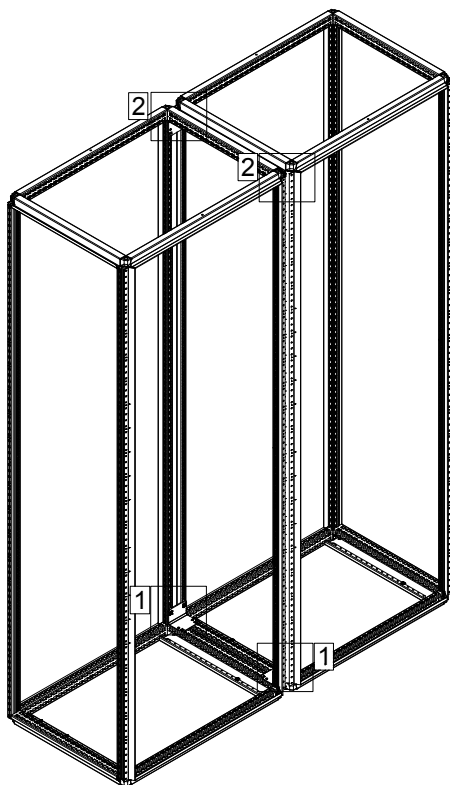
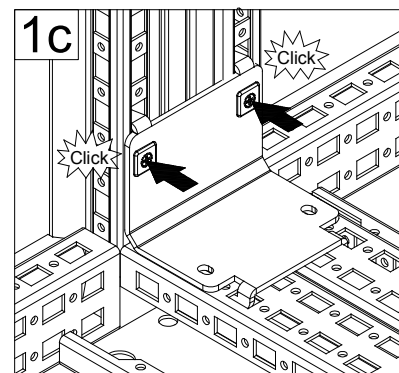
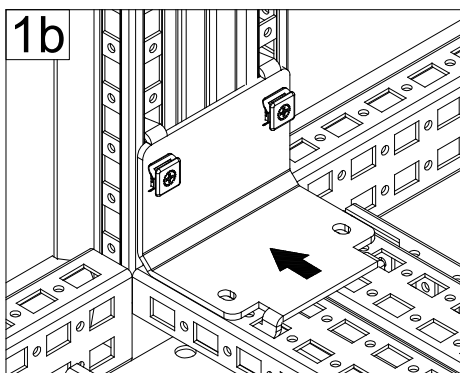
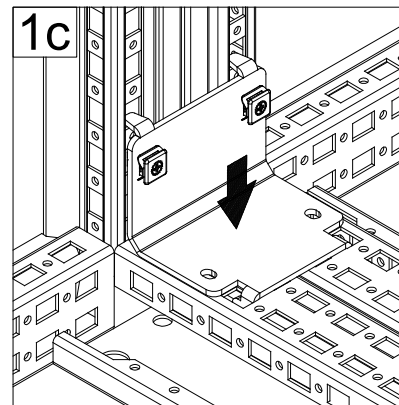
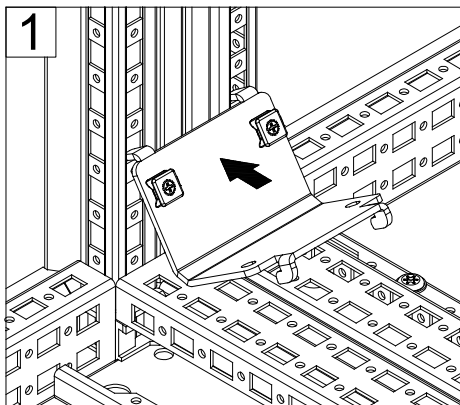
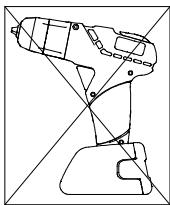
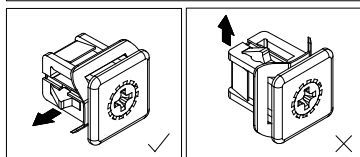
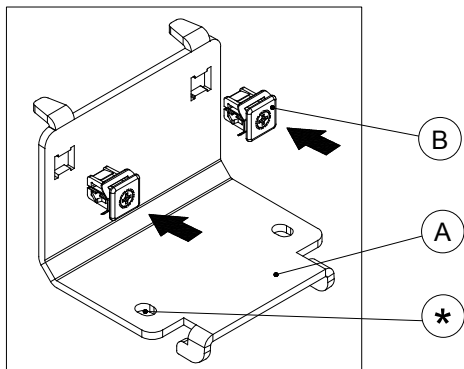




CCM 04

Ref.	Pic.	
A		4
B		8

MOUNTING

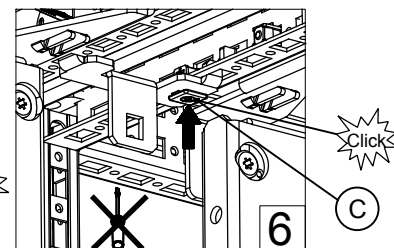
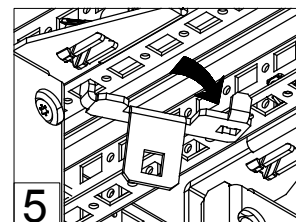
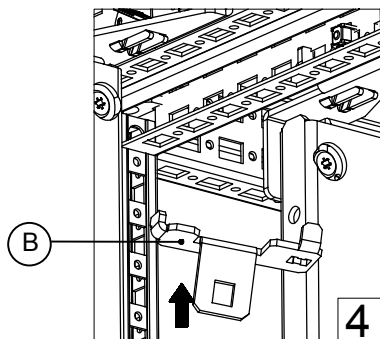
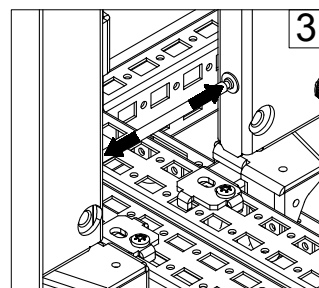
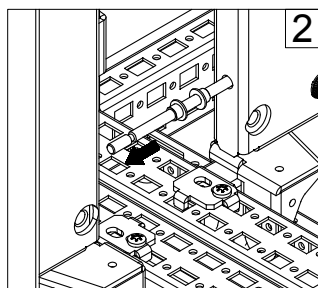
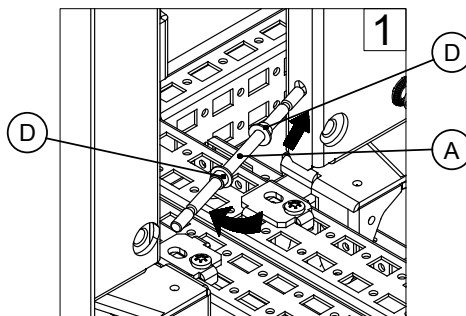
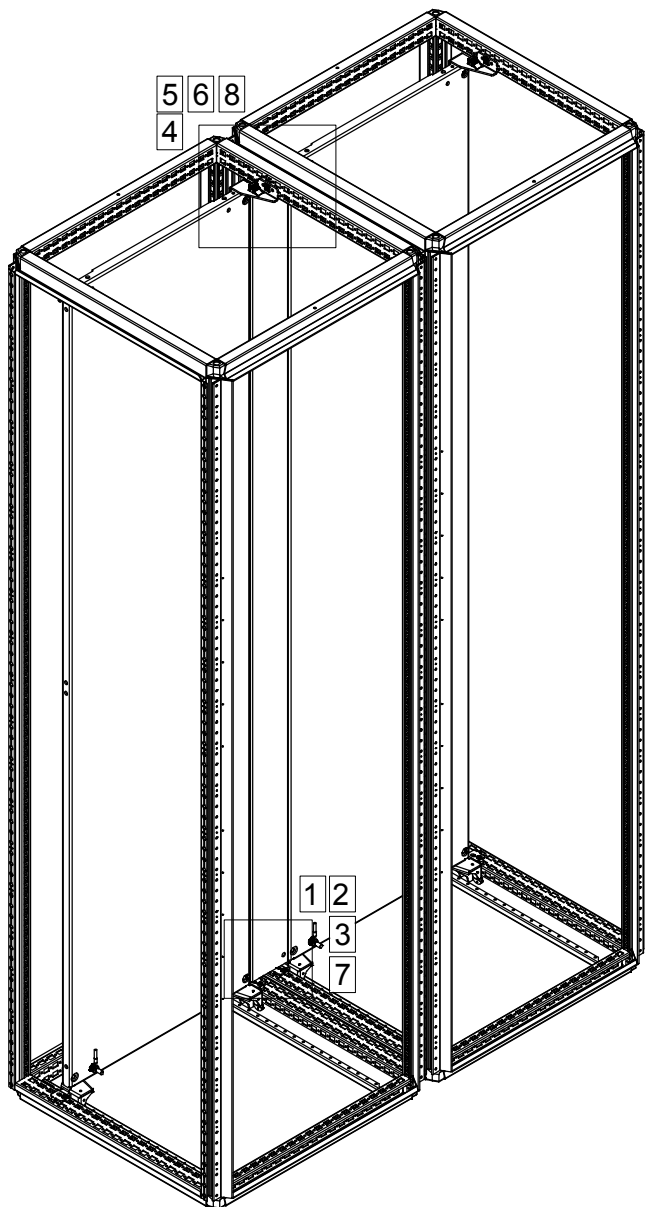


Note: It is mandatory for all four brackets to be installed at all four corners !

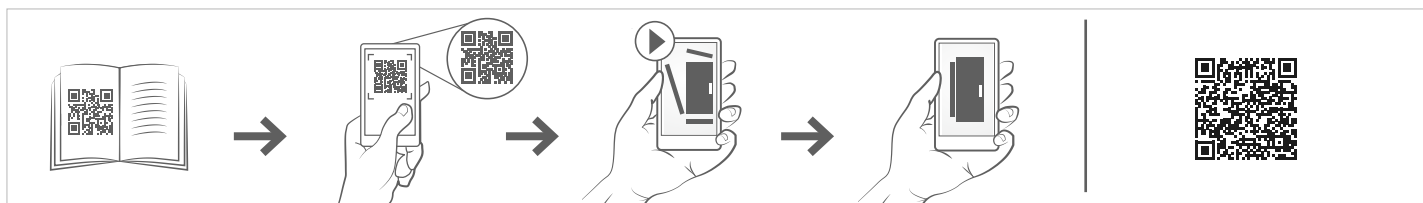
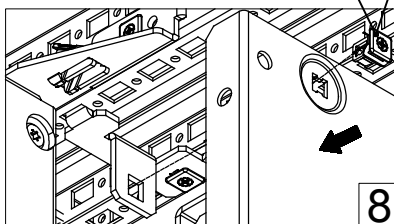
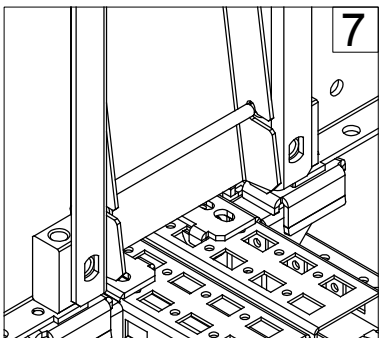
* The fixation holes can be used to better fix the bracket to the frame, using cage nuts and screws !

MPF

Ref.	Pic.	Qty.
A		1
B		1
C		2
D		2



Back view





SW13

