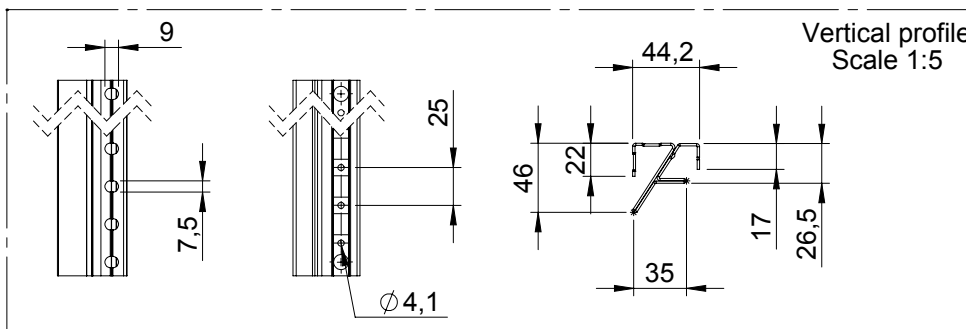
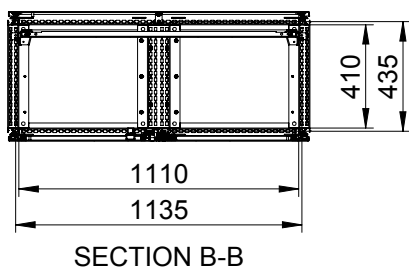
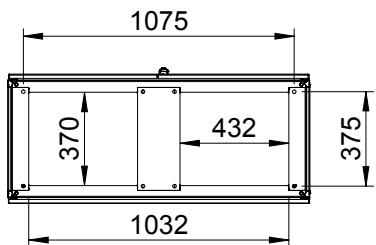


**Sectional top view (without bottomplate)**



**Bottom view**



Drawn by : bvduda1	Date: 25-08-2017	SCALE:1:30
Checked by : mdrojo	Date: 25-08-2017	
Revision : 01		

General tolerances according to Norm ISO 2768-1

Fine Medium Coarse



Floor Standing, Stainless steel combinable version, double door enclosure

1800 mm x 1200 mm x 500 mm

Reference number :

MCDS18125  
MCDS18125-316

A4