

MCDS

STAINLESS STEEL COMBINABLE VERSION, DOUBLE DOOR ENCLOSURE



IP 55 | TYPE 12, 13 | IK 10



The stainless steel double door combinable floor standing enclosure range, MCDS, is ideal for installation in confined spaces where a single door, when opened, would take up too much space in front of the enclosure. The doors' loading capacity also increases as it is divided over two doors. With a IP 55 protection degree, components inside the enclosure are well protected and makes it well suited for almost any environment, grade dependent.

Material: AISI 304L pre-grained stainless steel / AISI 316L. Frame: 1.5 mm. Door: 2 mm. Rear, roof and side panels: 1.5 mm. Bottom plates: 1.5 mm stainless steel. Mounting plate: 3 mm galvanized steel.

Frame: Seam welded reversed open profiles with 25 mm hole pattern according to DIN 43660.

Door: Mounted with four hinges. Including door frame with 25 mm hole pattern. Doors cannot be reversed. Separate doors to be ordered for left hand door locking.

Rear panel: Fitted by M6 torx screws. Standard facilities for rear door mounting. Split rear panels in 1600 mm wide enclosures.

Side panels: Supplied as an accessory.

Roof panel: Removable.

Lock: Espagnolette 4-point locking system in the main door and 2-point locking system in the slave door. Standard double-bit lock with 3 mm insert. Standard inserts, cylinders, lift handles and T-handle are available as accessories.

Bottom plates: Two pieces of bottom plate in 1200 mm width with injected polyurethane gasket to ensure maximum sealing.

Mounting plate: Double folded and adjustable in depth by steps of 25 mm with the MPD02 accessory. Mounting plate is delivered attached on the outside of the enclosure packaging.

Earthing: All panels are earthed through their fittings and are equipped with a separate earthing stud.

Finish: 400 pre-grained stainless steel.

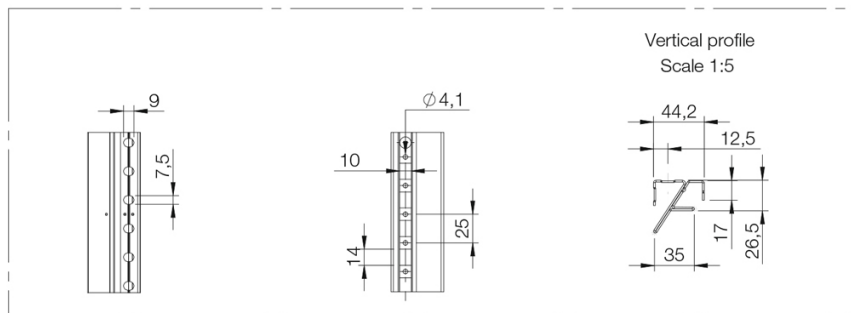
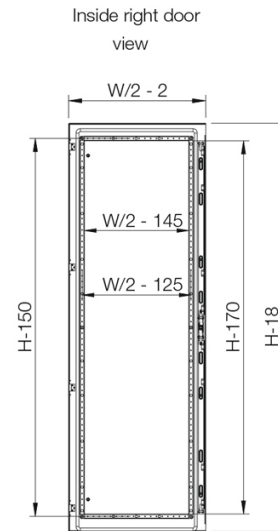
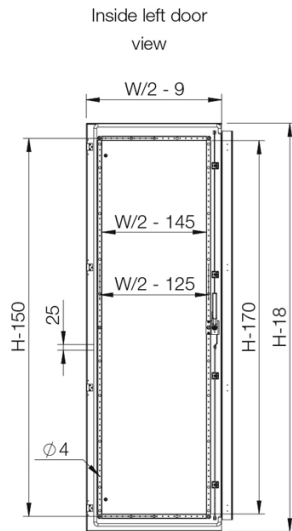
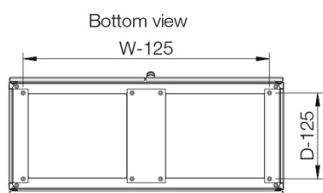
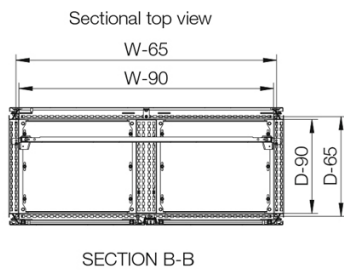
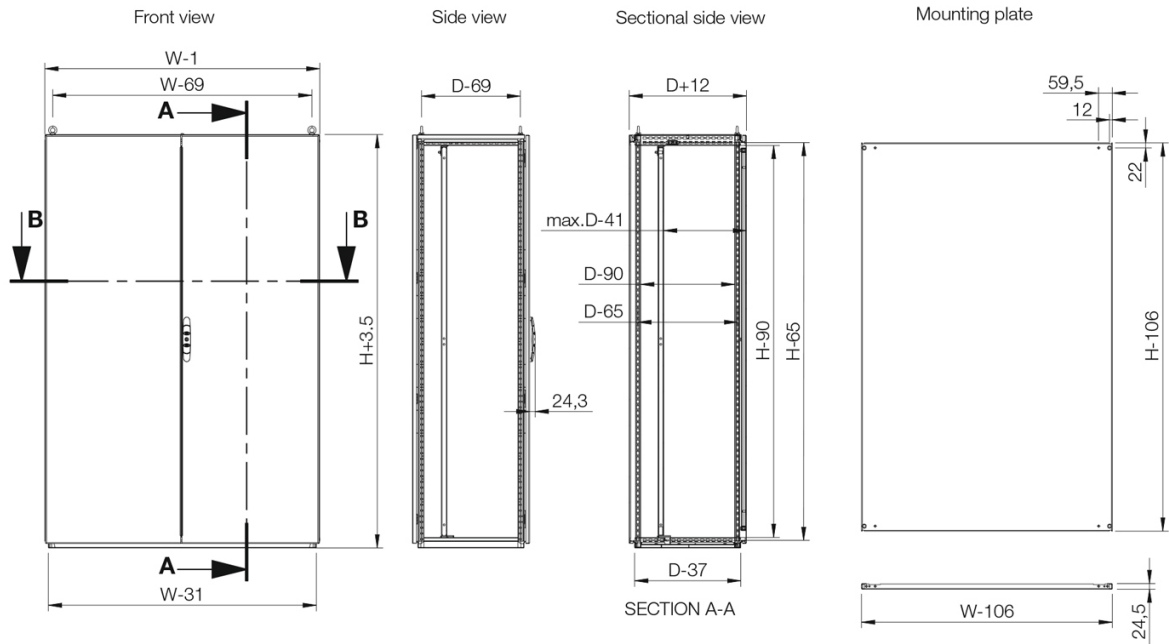
Protection: Complies with IP 55 | TYPE 12, 13 | IK 10.

Mounting requirements: Standard delivery ready for combined installation. For stand-alone installation add side panels.

Delivery: Frame with fitted doors, rear panel, roof panel, bottom plates, mounting plate and door frame. Delivery also includes earthing bolts. Delivered on a pallet which is identical to the width of the enclosure to allow suiting without removal. Packing material is recyclable.

MCDS

STAINLESS STEEL COMBINABLE VERSION, DOUBLE DOOR ENCLOSURE



MCDS

STAINLESS STEEL COMBINABLE VERSION, DOUBLE DOOR ENCLOSURE

Enclosure dimensions			Mounting plate dimensions		Item no.
H	W	D	h	w	
1800	1000	500	1694	894	MCDS18105
1800	1000	500	1694	894	MCDS18105-316
1800	1200	500	1694	1094	MCDS18125
1800	1200	500	1694	1094	MCDS18125-316
2000	1200	600	1894	1094	MCDS20126
2000	1200	600	1894	1094	MCDS20126-316