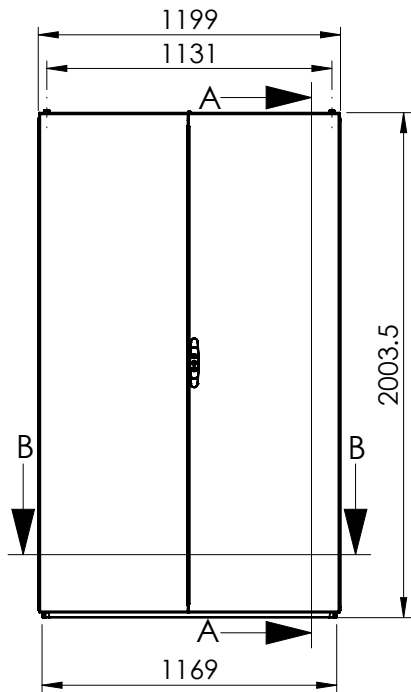
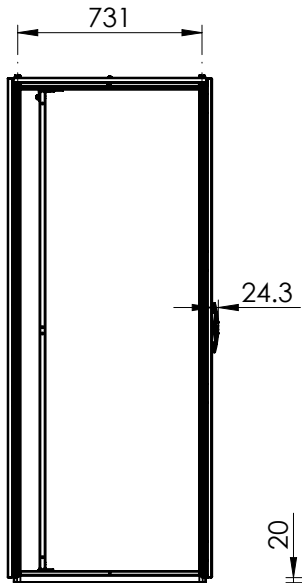


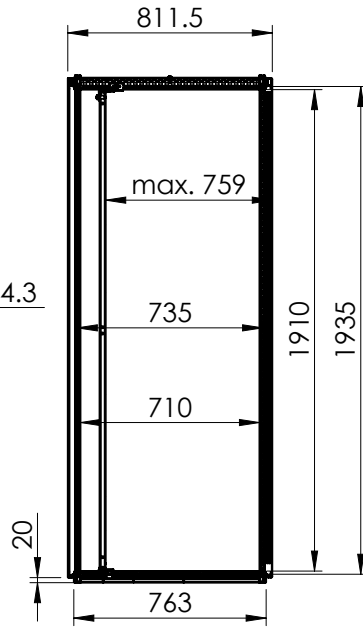
Front view



Side view

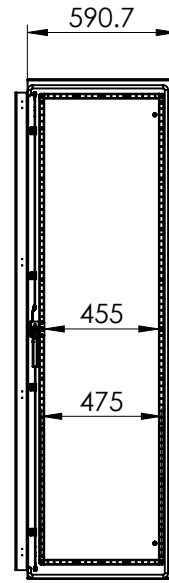


Sectional side view

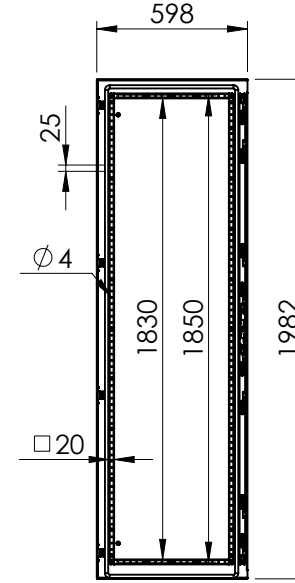


SECTION A-A

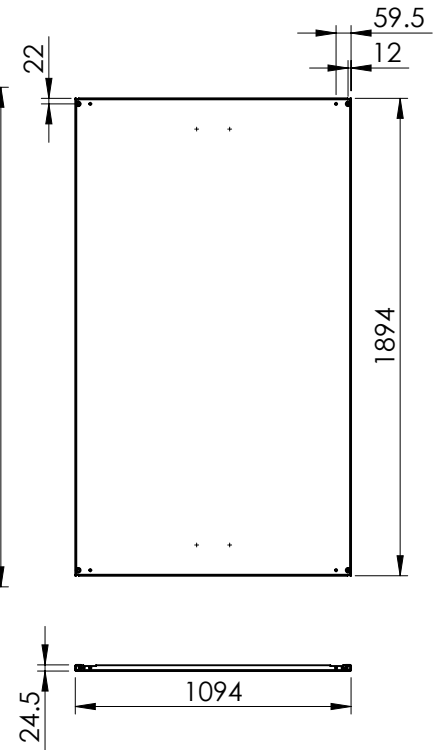
Inside door left view



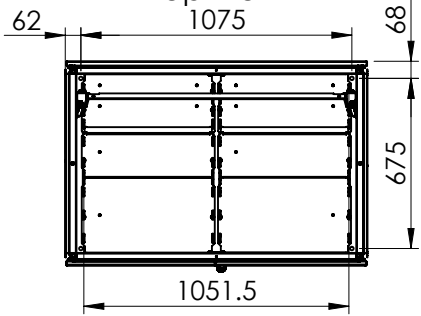
Inside door right view



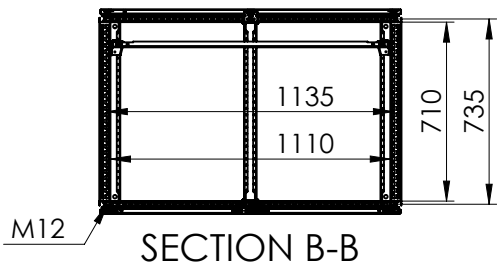
Mounting plate view



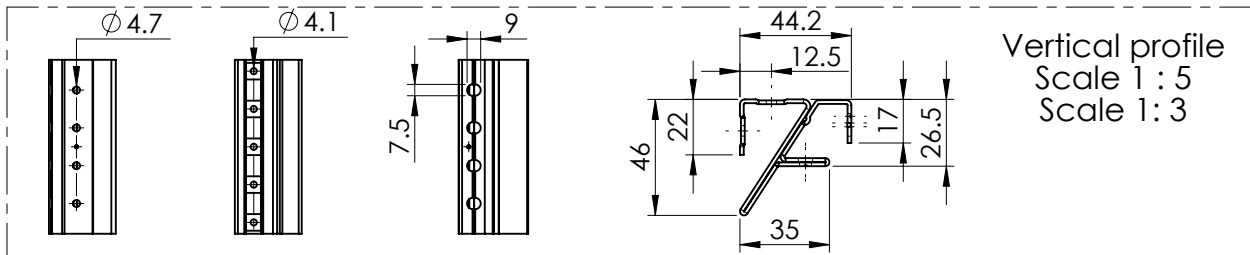
Top view



Sectional top view (without bottom plates)



SECTION B-B



Vertical profile  
Scale 1 : 5  
Scale 1 : 3

Drawn by : bvbura	Date: 26-05-2016	Finish : RAL7035	SCALE:1:30	General tolerances according to Norm ISO 2768-1		
Checked by : roreja	Date: 26-05-2016					
Revision : 01				Fine	Medium	Coarse
		Floor standing, Mild steel combinable version, Double door enclosure		Reference number :		
		2000 mm x 1200 mm x 800 mm		MCD20128R5 MCD20128PER5		
				A4		
Page 1/1						