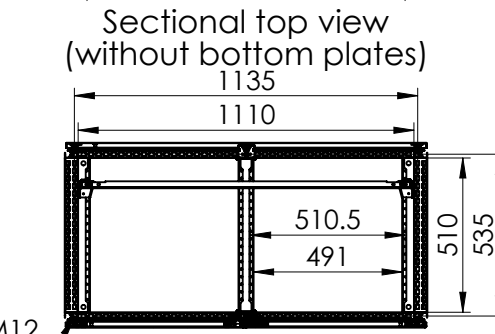


Vertical profile
Scale 1 : 5
Scale 1 : 3



Drawn by : bvbura	Date: 26-05-2016	Finish : RAL7035	SCALE:1:25	General tolerances according to Norm ISO 2768-1			
Checked by : roreja	Date: 26-05-2016						
Revision : 01				<table border="1"> <tr> <td>Fine</td> <td>Medium</td> <td>Coarse</td> </tr> </table>	Fine	Medium	Coarse
Fine	Medium	Coarse					
			Floor standing, Mild steel combinable version, Double door enclosure 2000 mm x 1200 mm x 600 mm				
			Reference number : MCD20126R5 MCD20126PER5				
				A4			
			Page 1/1				