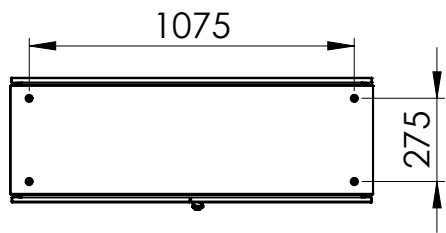
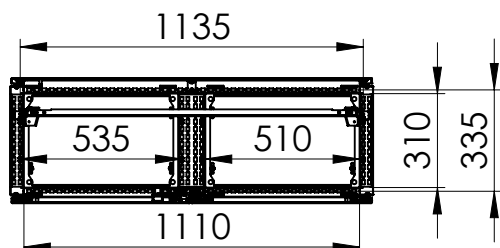


Top view

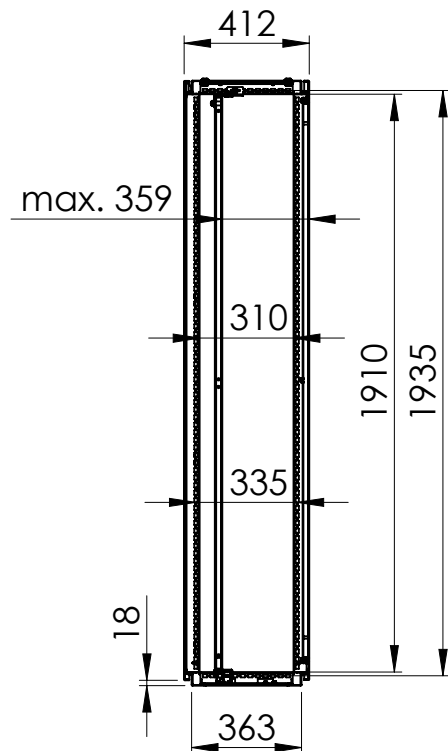


Sectional top view
(without bottom plates)



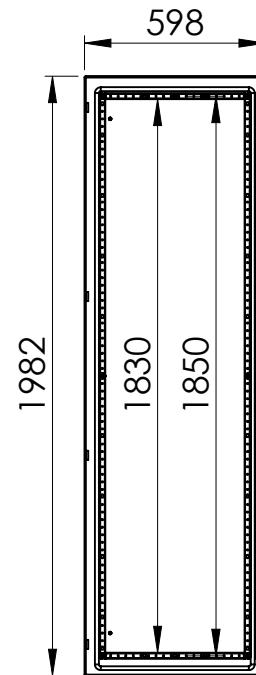
SECTION B-B

Sectional side view

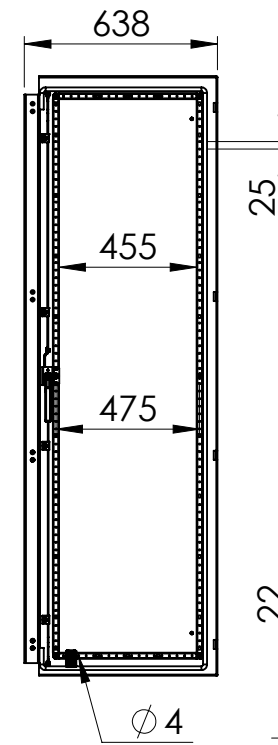


SECTION A-A

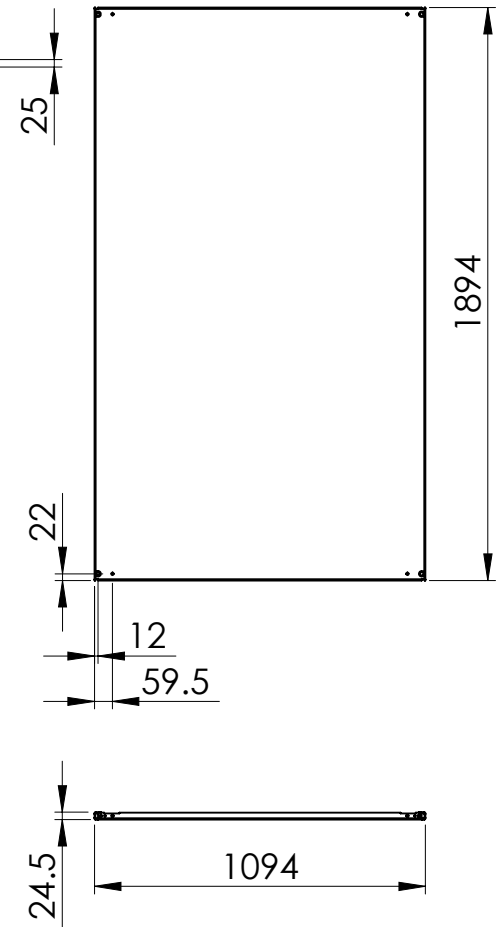
Inside right door view



Inside left door view



Mounting plate



Drawn by : bvacro	Date: 05-12-2016	Finish : 240s pre-grained stainless steel	SCALE:1:25	General tolerances according to Norm ISO 2768-1		
Checked by : mdrojo	Date : 05-12-2016					
Revision : 01				Fine	Medium	Coarse
		Floor Standing,Stainless steel compact version, Double door enclosure		Reference number :		
		2000 mm x 1200 mm x 400 mm		EKDS20124 EKDS20124-316		A4
Page 1/1						