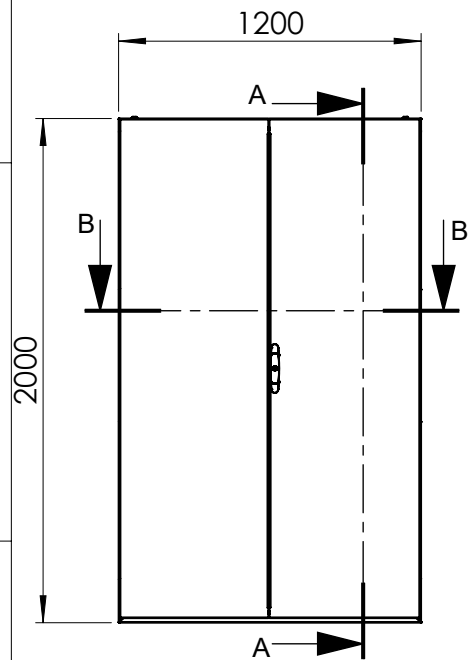
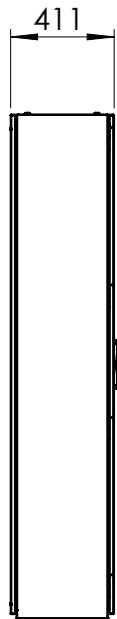


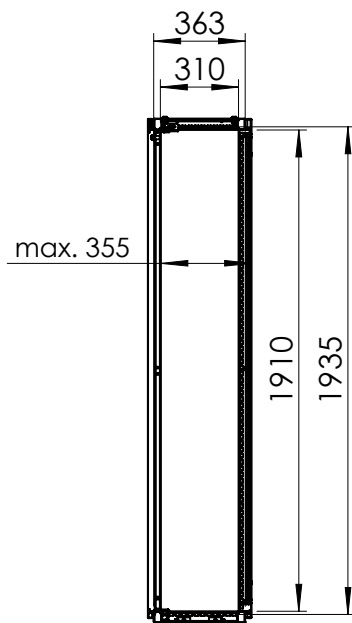
Front view



Side view

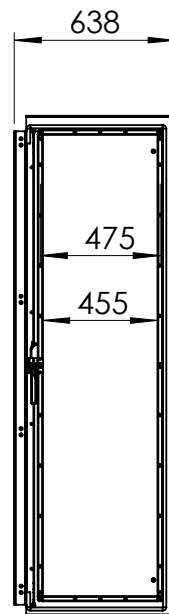


Sectional side view

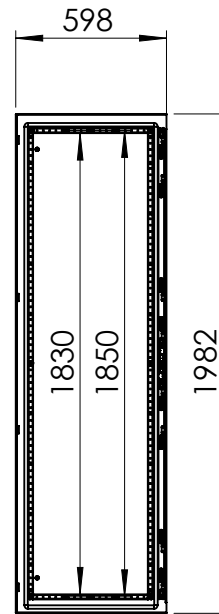


SECTION A-A  
SCALE 1 : 30

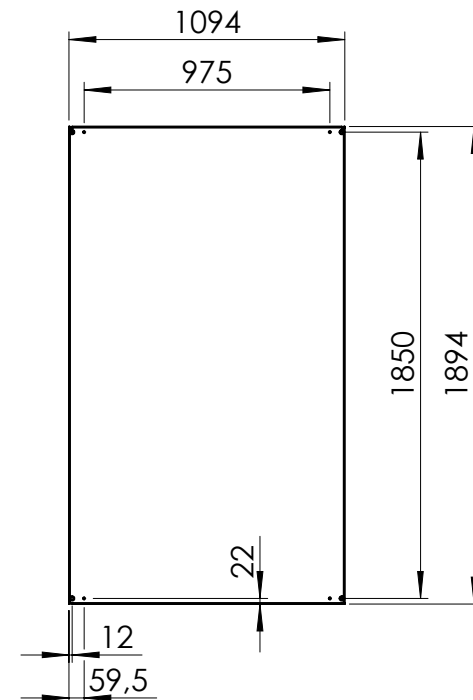
Inside left door view



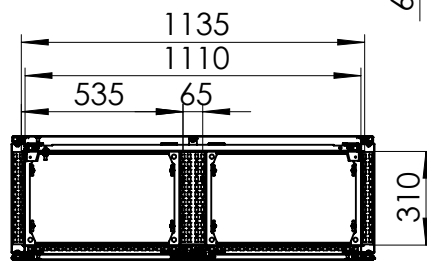
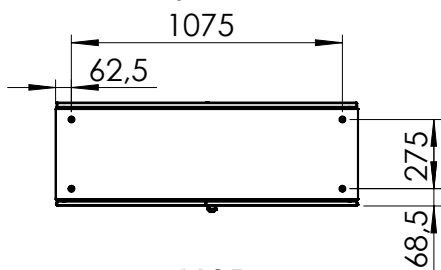
Inside right door view



Mounting plate view



Top view



SECTION B-B

|                     |                  |  |            |   |        |        |
|---------------------|------------------|--|------------|---|--------|--------|
| Drawn by : bvacro   | Date: 05-12-2016 | Finish : 240s pre-grained stainless steel                              | SCALE:1:30 | General tolerances according to Norm ISO 2768-1 |        |        |
| Checked by : mdrojo | Date: 05-12-2016 |  |            |   |        |        |
| Revision            |                  |  |            | Fine  | Medium | Coarse |
|                     |                  | Floor Standing, Stainless steel compact version, Double door enclosure |            | Reference number :                              |        |        |
|                     |                  | 2000 mm x 1200 mm x 400 mm   |            | EKDS20124<br>EKDS20124-316                      |        |        |
|                     |                  |  |            | Page 1/1  |        |        |

A4