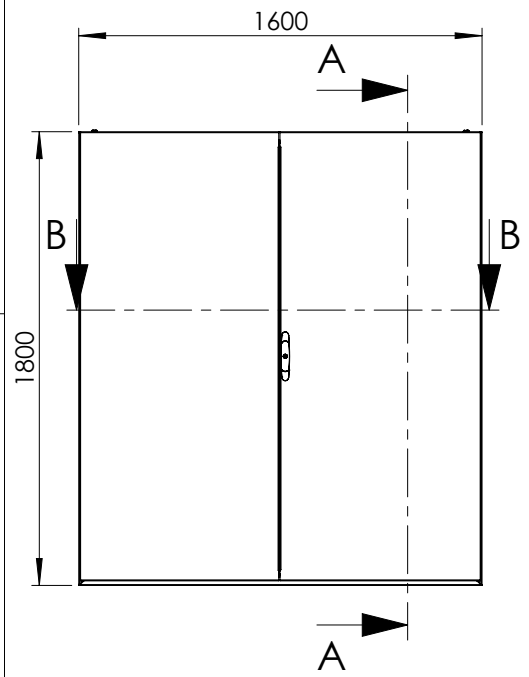
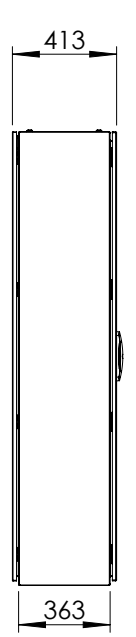


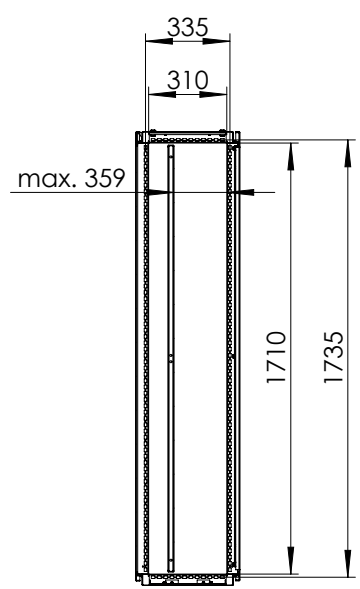
Front view



Side view

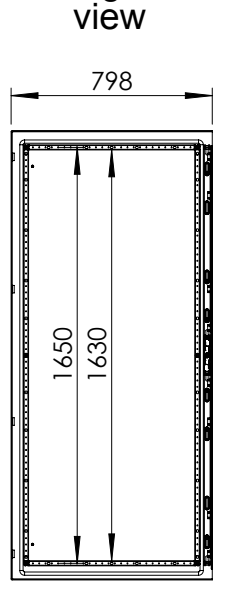


Sectional side view

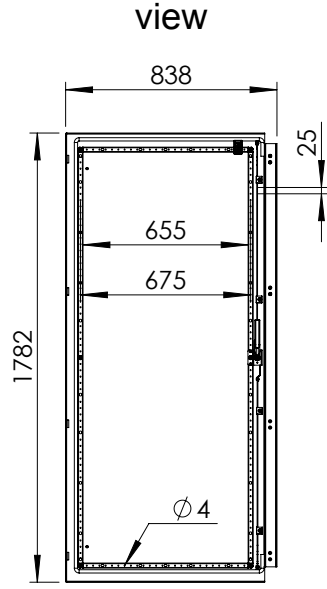


SECTION A-A

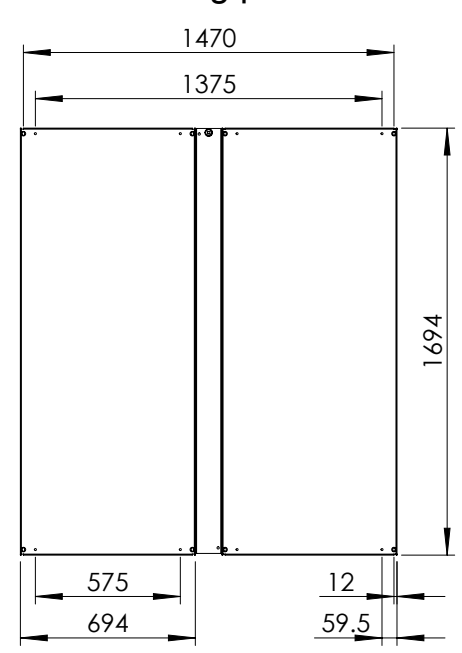
Inside right door view



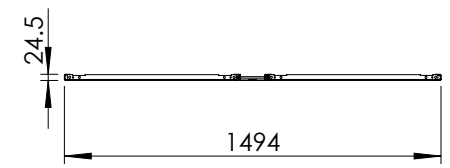
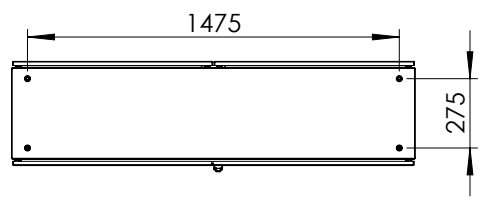
Inside left door view



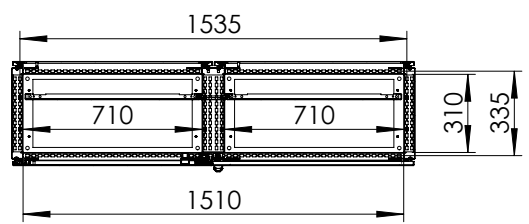
Mounting plates



Top view



Sectional top view (without bottom plates)



SECTION B-B

Drawn by : bvduda1	Date: 27-07-2018	Finish: 240s pre-grained stainless steel	SCALE:1:30
Checked by : mdrojo	Date: 27-07-2018		
Revision : 01			

General tolerances according to Norm ISO 2768-1



Floor Standing, Stainless steel compact version, Double door enclosure
1800 mm x 1600 mm x 400 mm

Reference number :
EKDS18164
EKDS18164-316

A4