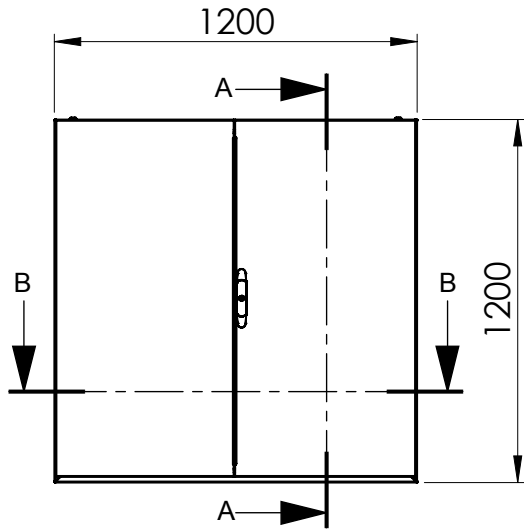
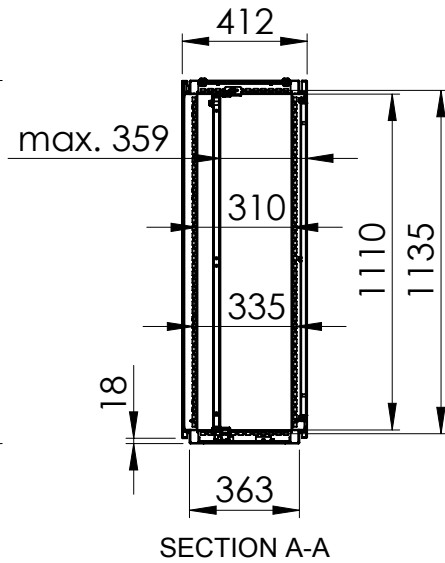


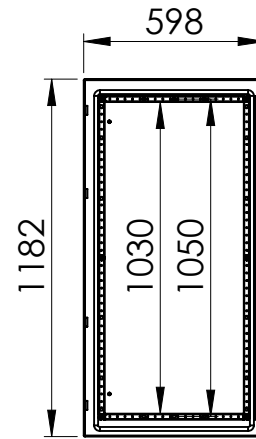
Front view



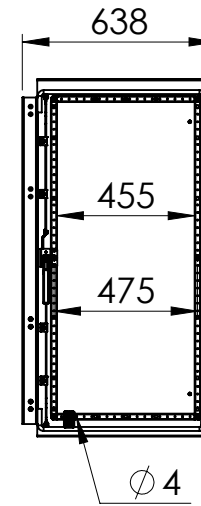
Sectional side view



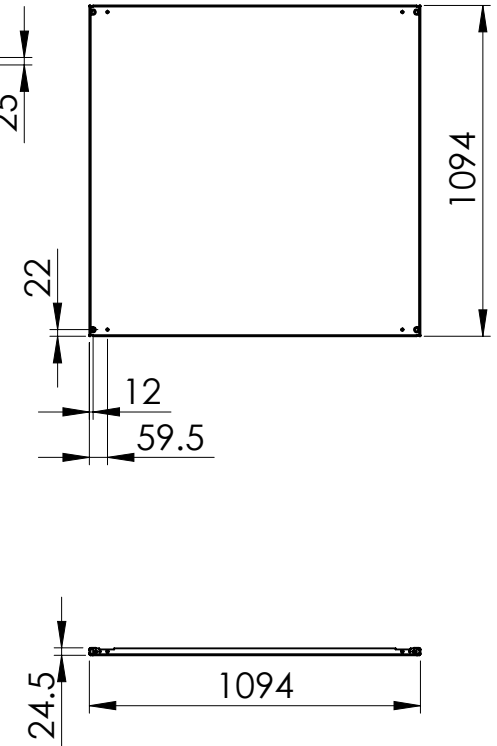
Inside right door view



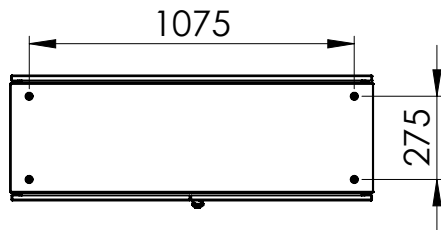
Inside left door view



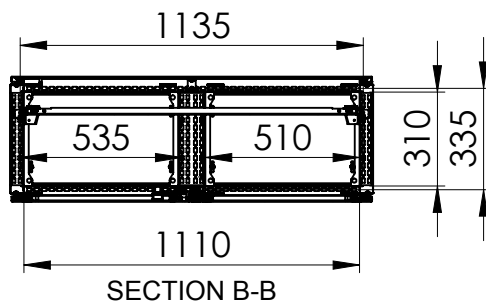
Mounting plate view



Top view



Sectional top view (without bottom plates)



Drawn by : bvacro	Date: 05-12-2016	Finish : 240s pre-grained stainless steel	SCALE:1:25	General tolerances according to Norm ISO 2768-1		
Checked by : mdrojo	Date : 05-12-2016					
Revision : 01				Fine	Medium	Coarse
		Floor Standing,Stainless steel compact version, Double door enclosure		Reference number :		
		1200 mm x 1200 mm x 400 mm		EKDS12124 EKDS12124-316		A4
				Page 1/1		