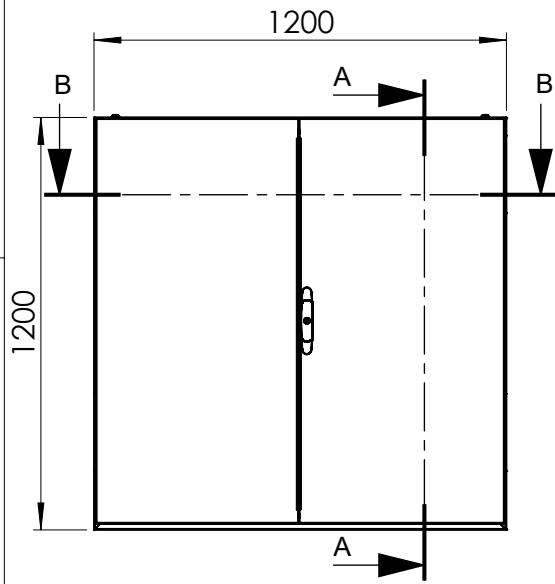
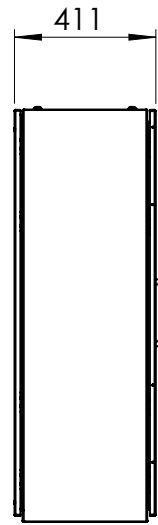


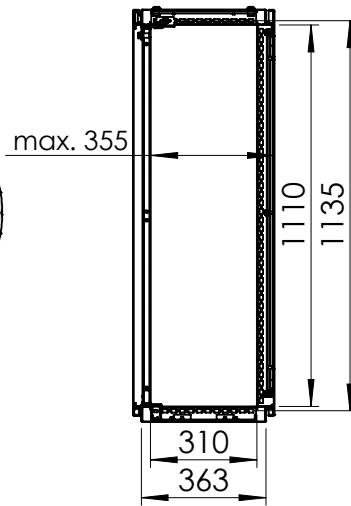
Front view



Side view

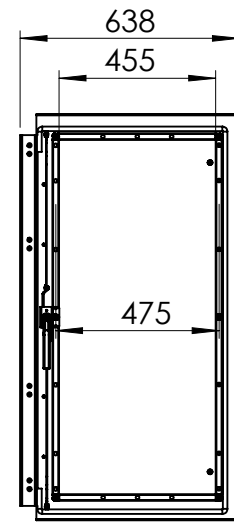


Sectional side view

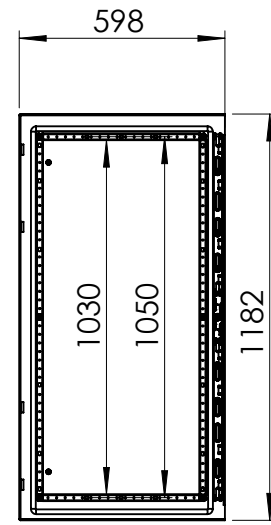


SECTION A-A  
SCALE 1 : 22

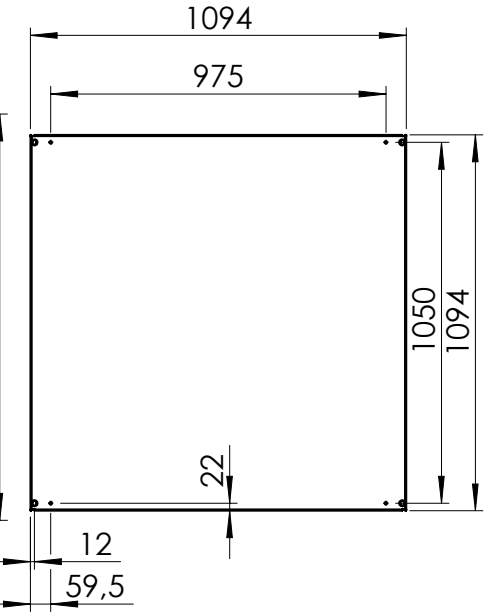
Inside left door view



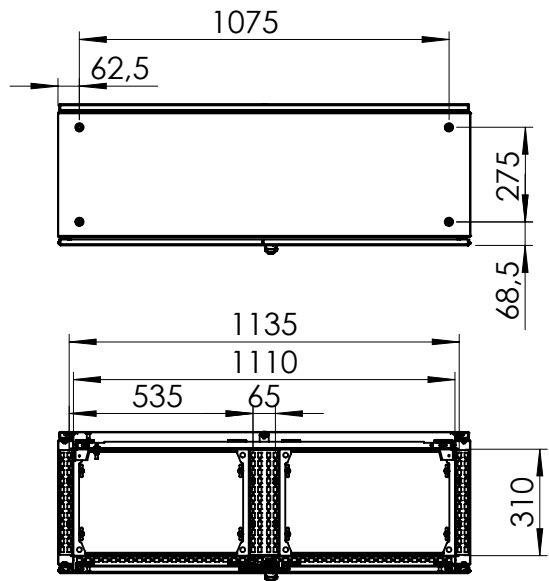
Inside right door view



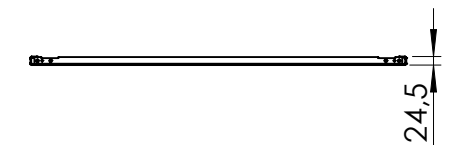
Mounting plate view



Top view



SECTION B-B  
SCALE 1 : 22



Drawn by : bvacro	Date: 05-12-2016	Finish : 240s pre-grained stainless steel	SCALE:1:22	General tolerances according to Norm ISO 2768-1		
Checked by : mdrojo	Date: 05-12-2016					
Revision				Fine	Medium	Coarse
		Floor Standing, Stainless steel compact version, Double door enclosure		Reference number :		
		1200 mm x 1200 mm x 400 mm		EKDS12124 EKDS12124-316		
				Page 1/1		

A4