

EKDS

STAINLESS STEEL COMPACT VERSION, DOUBLE DOOR ENCLOSURE



IP 55 | TYPE 12, 13 | IK 10; IP 66 | TYPE 4X (on request)



The stainless steel double door compact floor standing enclosure range, EKDS, with a IP 55 protection degree is ideal for installation in confined spaces where a single door, when opened, would take up too much space in front of the enclosure. The doors' loading capacity also increases as it is divided over two doors. With an IP 55 protection degree, components inside the enclosure are well protected and makes the it well suited for almost any environment, grade dependant.

Material: AISI 304L pre-grained stainless steel / AISI 316L. Body and removable rear panel: 1.5 mm. Door: 2 mm. Bottom Plates: 1.5 mm. Mounting plate: 3 mm.

Body: One piece enclosure body. Integrated depth profiles with hole pattern allowing mounting plate adjustable in depth.

Door: Surface mounted with 4 hinges including door frame with 25 mm hole pattern and earthing studs. Standard doors can not be reversed.

Rear panel: Fitted by M6 torx screws. Standard facilities for rear door mounting. Split rear panels in 1600 mm wide enclosures.

Lock: Espagnolette 4-point locking system in the main door and 2-point locking system in the slave door. Standard double-bit lock with 3 mm insert. Standard inserts, cylinders, lift handles and T-handles are available as accessories.

Bottom plates: One piece bottom plates with injected polyurethane gasket to ensure maximum sealing.

Earthing: Door is equipped with separate welded earthing studs and earthing to the frame can be accomplished by using the ECF.

Mounting plate: Double folded and slides into position. Adjustable in depth by steps of 25 mm. Mounting plate is delivered attached on the outside of the enclosure packaging. Fitted inside for 1600 mm wide enclosures. For 1600 mm wide, filler plate is included.

Finish: 400 pre-grained stainless steel.

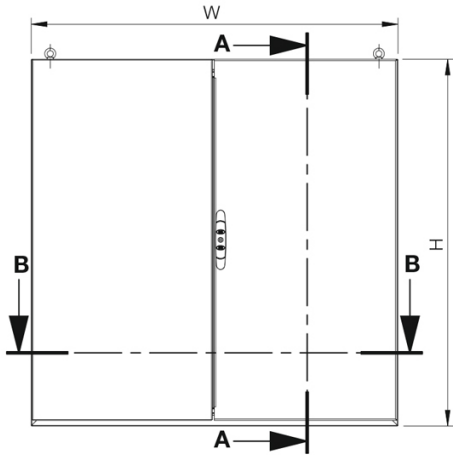
Protection: Double door version, complies with IP 55 | TYPE 12, 13 | IK 10. Individual doors with welded vertical divider, complies with IP 66 | TYPE 4X, 12 and 13 | IK 10.

Delivery: One piece body with fitted door and rear panel, bottom plates and mounting plate, including door earthing studs. Delivered on a pallet which is identical to the width of the enclosure to allow suiting without removal. Mounting plate is attached to the outside of the enclosure packaging. All the packing material is recyclable.

EKDS

STAINLESS STEEL COMPACT VERSION, DOUBLE DOOR ENCLOSURE

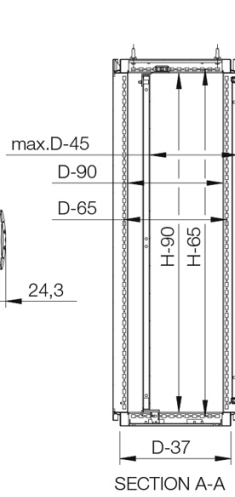
Front view



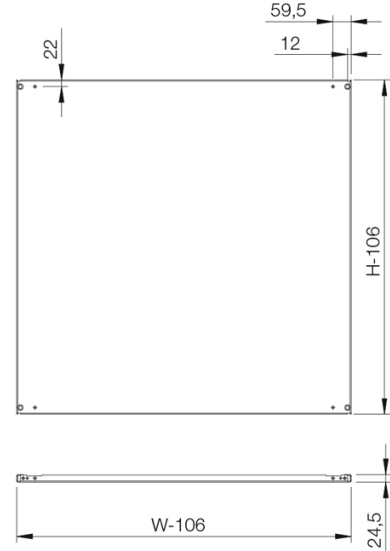
Side view



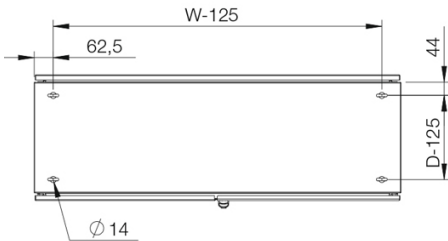
Sectional side view



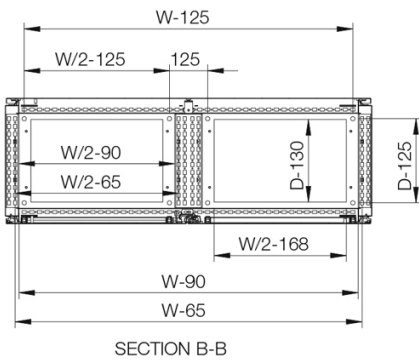
Mounting panel



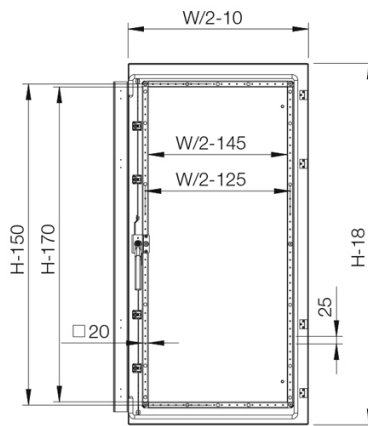
Top view



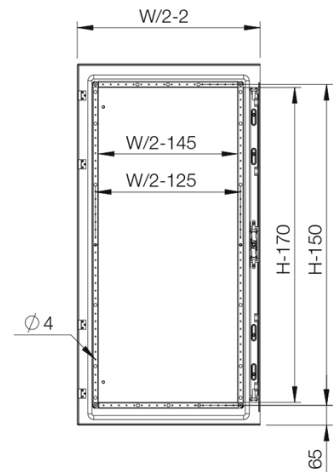
Sectional top view (without bottom plates)



Inside left door view



Inside right door view



IP 55 | TYPE 12, 13 | IK 10

Enclosure dimensions			Mounting plate dimensions		Item no.
H	W	D	h	w	
1200	1200	400	1094	1094	EKDS12124
1200	1200	400	1094	1094	EKDS12124-316
1600	1200	400	1494	1094	EKDS16124
1600	1200	400	1494	1094	EKDS16124-316
1800	1200	400	1694	1094	EKDS18124
1800	1200	400	1694	1094	EKDS18124-316
1800	1600	400	1694	1494	EKDS18164
1800	1600	400	1694	1494	EKDS18164-316
2000	1200	400	1894	1094	EKDS20124
2000	1200	400	1894	1094	EKDS20124-316
2000	1600	400	1894	1494	EKDS20164
2000	1600	400	1894	1494	EKDS20164-316

IP 66 | TYPE 4X, 12, 13 | IK 10

Enclosure dimensions			Mounting plate dimensions		Item no.
H	W	D	h	w	
1200	1200	400	1094	1094	EKDS12124-4X*
1600	1200	400	1494	1094	EKDS16124-4X*
1800	1200	400	1694	1094	EKDS18124-4X*
1800	1600	400	1694	1494	EKDS18164-4X*
2000	1200	400	1894	1094	EKDS20124-4X*
2000	1600	400	1894	1494	EKDS20164-4X*

**Individual doors with vertical divider version.*