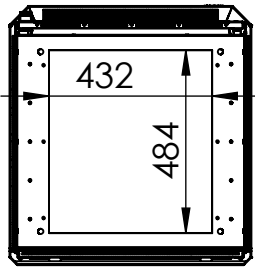
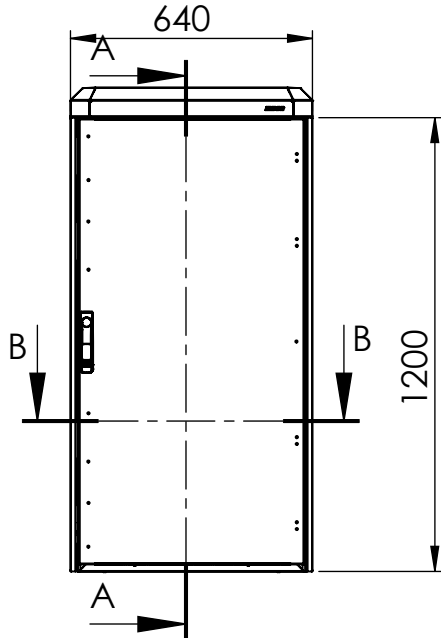


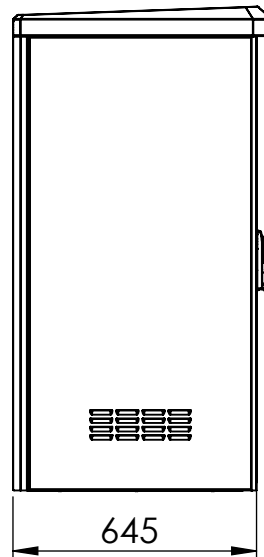
Bottom view



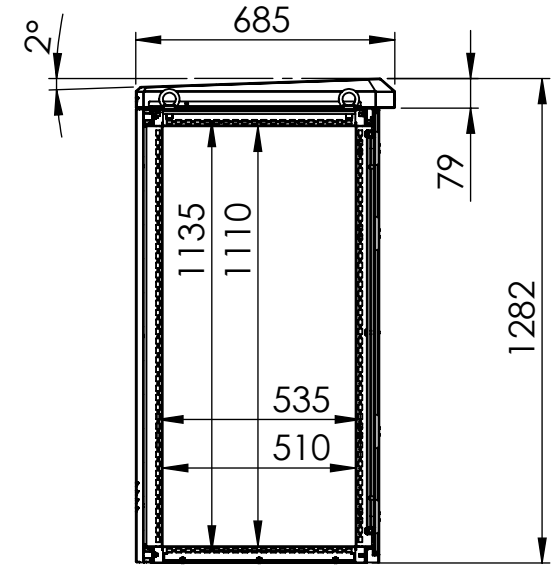
Front view



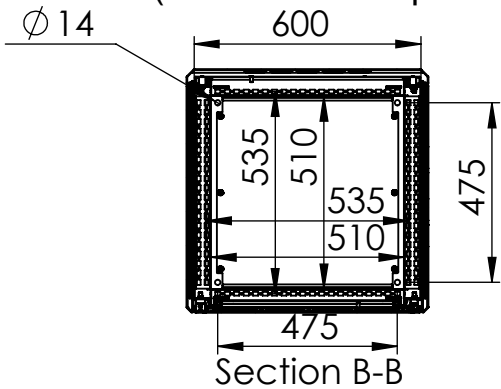
Side view



Sectional side view



Sectional top view
(without bottom plates)



Section A-A

Section B-B

Drawn by : bvgрма	Date: 01-02-2013	Finish : RAL 7035	SCALE:1:20	General tolerances according to Norm ISO 2768-1		
Checked by : mderpu	Date : 01-02-2013					
Revision : 01				Fine	Medium	Coarse
		MultiCom compact double wall version, Aluminium floor standing enclosure		Reference number :		
		1200 mm x 600 mm x 600 mm		EKOM12066		A4
				Page 1/1		