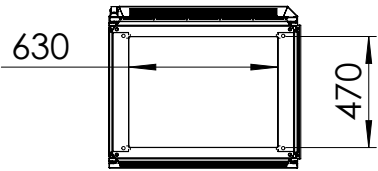
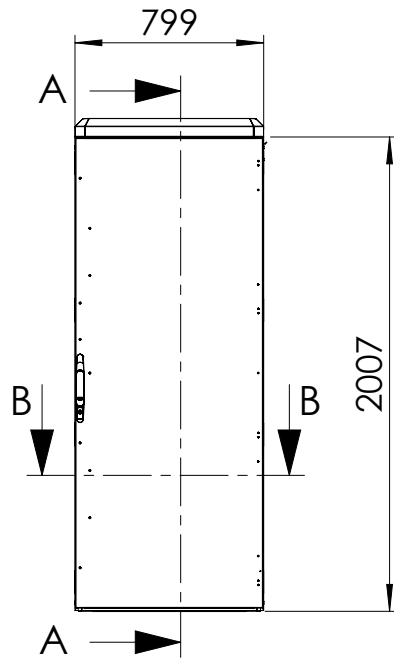


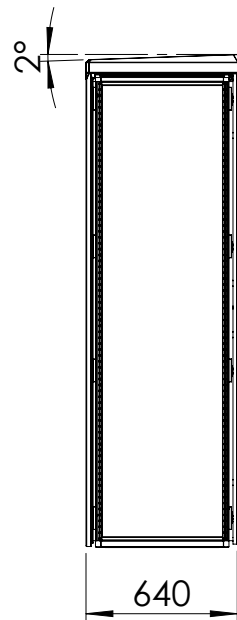
Bottom view



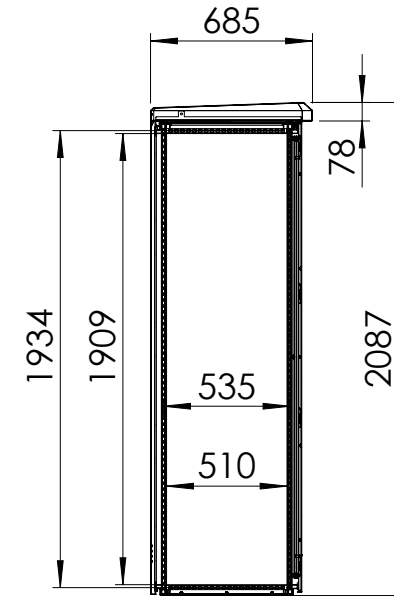
Front view



Side view

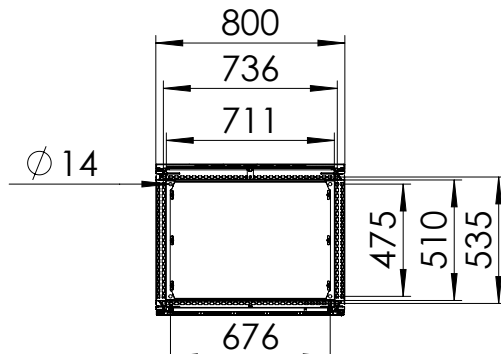


Sectional side view



SECTION A-A

Sectional top view (without bottom plates)



SECTION B-B

Drawn by : bvduda1	Date: 26-10-2017	Finish: RAL 7035	SCALE:1:32	General tolerances according to Norm ISO 2768-1
Checked by : roreja	Date: 26-10-2017			
Revision : 01				
		Combinable, single door, aluminium floor standing outdoor enclosure		Reference number : ECOM20086
		2000 mm x 800 mm x 600 mm		
				A4
				Page 1/1