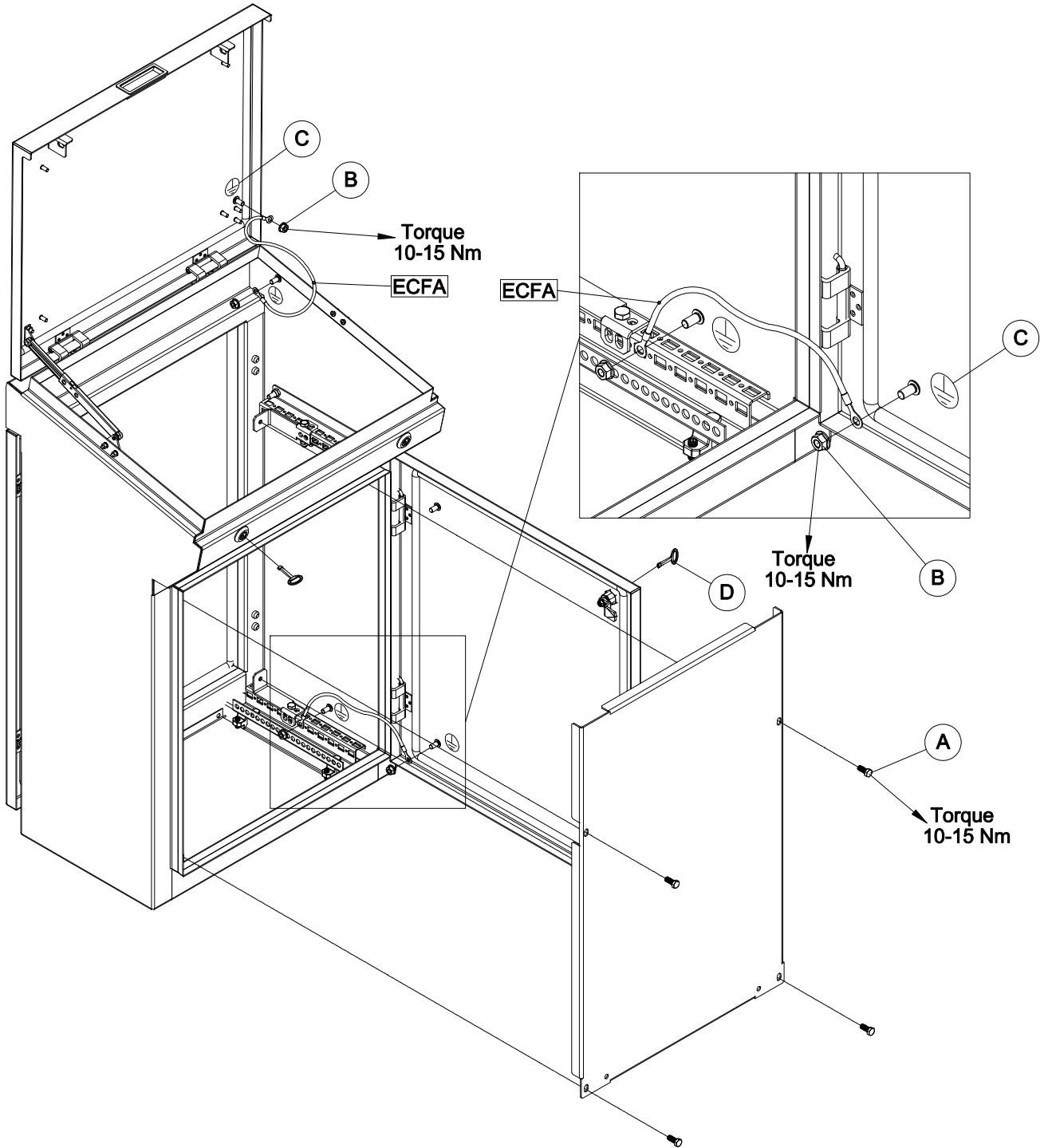
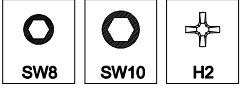




MPG/MPGS

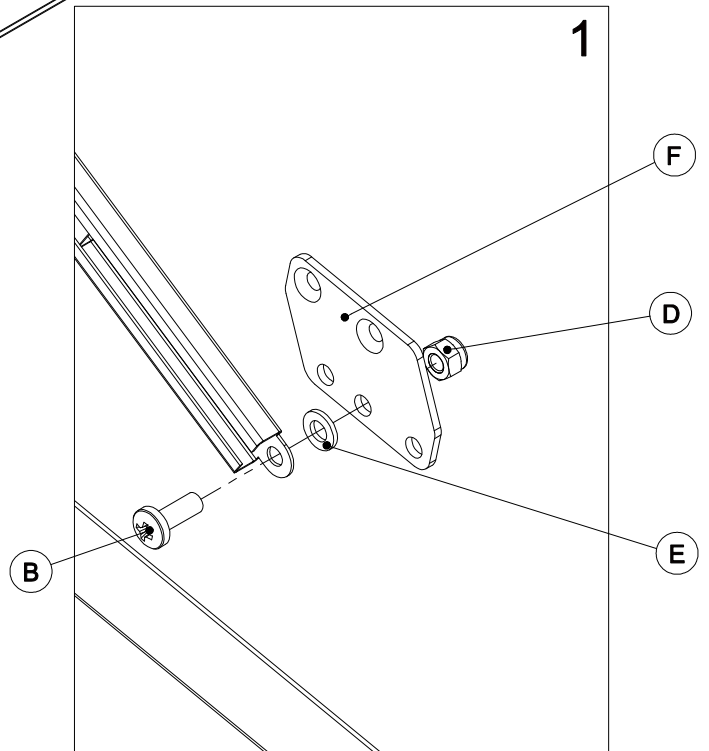
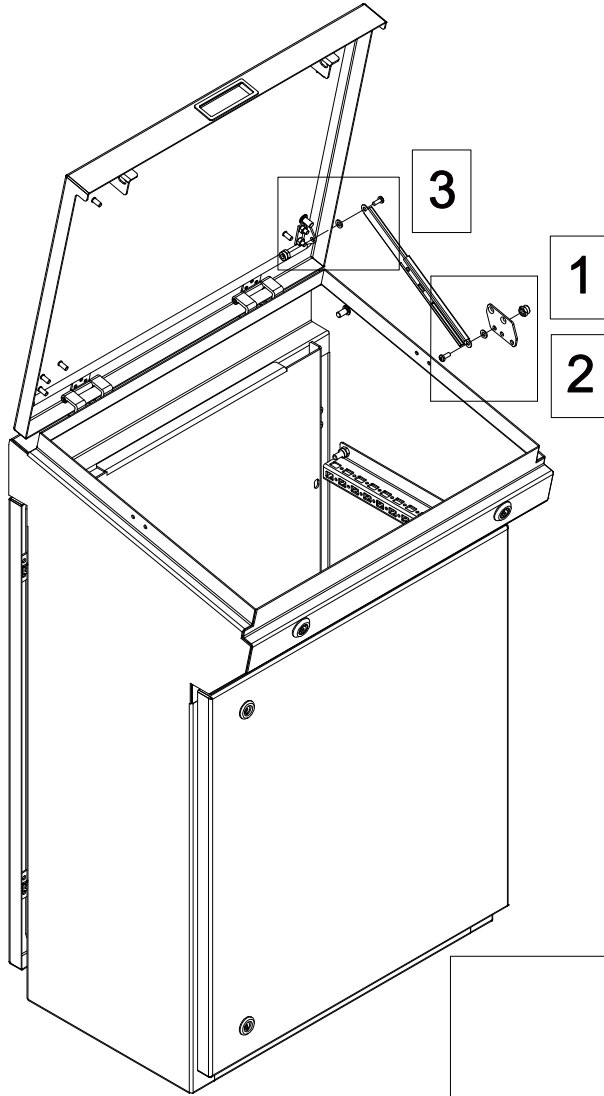
Ref.	Pic.	Qty.
A		4
B		2
C		2
D		1



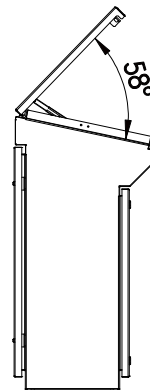
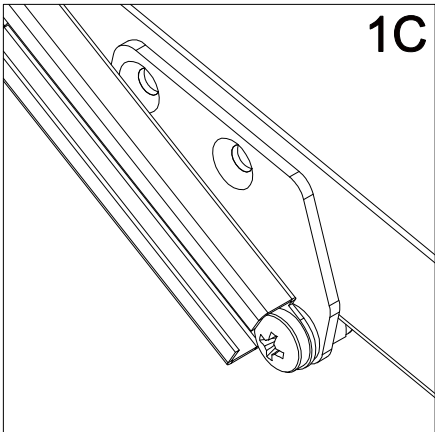
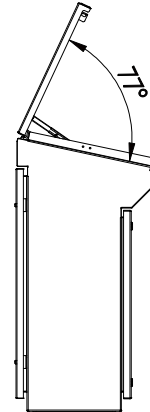
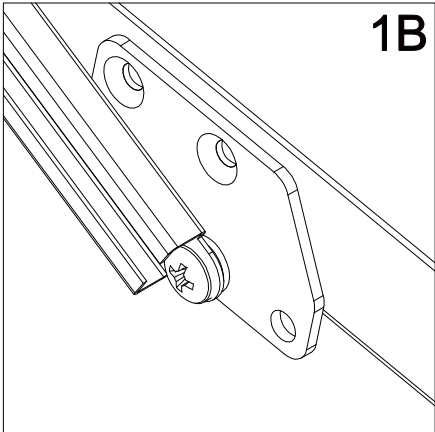
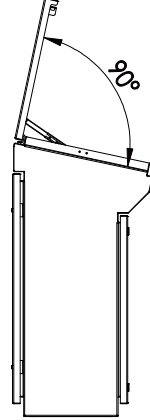
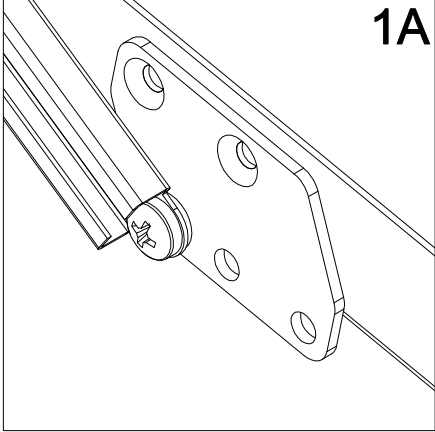


MPG/MPGS

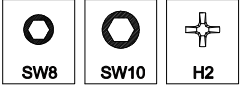
Ref.	Pic.	Qty.
A		2
B		2
C		2
D		2
E		2
F		1



MPG/MPGS



MPG/MPGS



Ref.	Pic.	Qty.
A	M5x12	2
B	M6x16	2
C	M5	2
D	M6	2
E	M6	2
F	1	1

