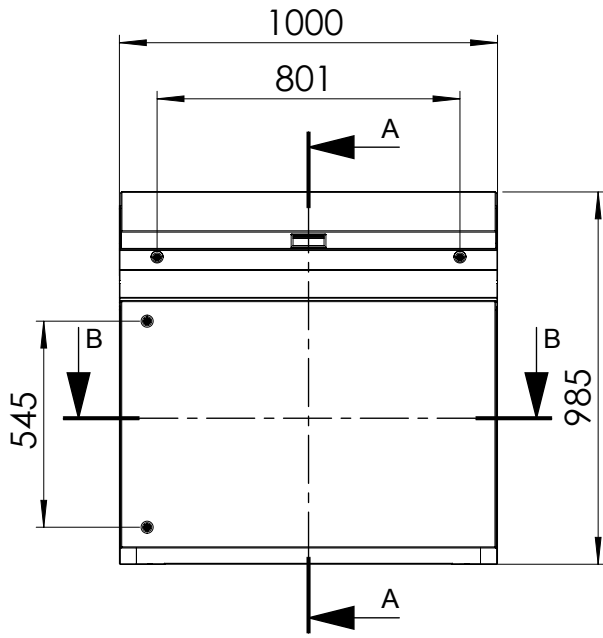
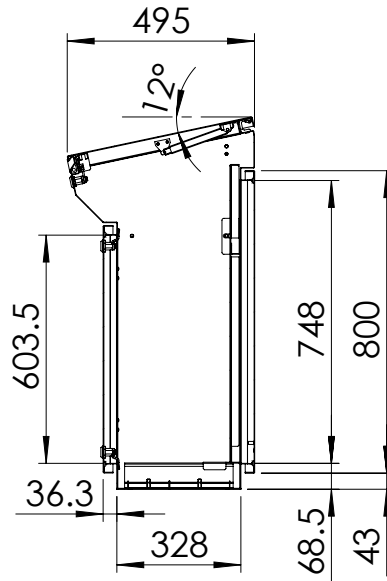


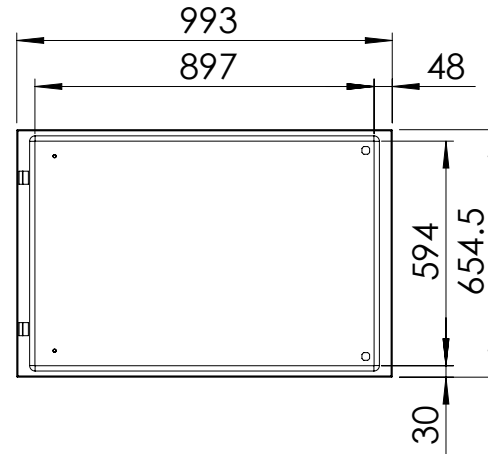
Front view



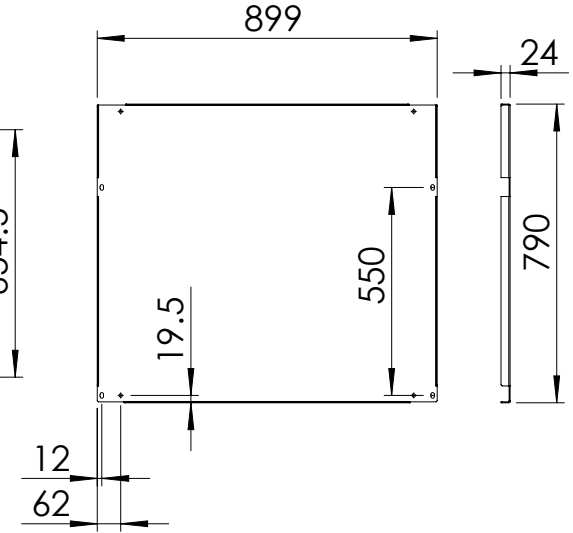
Sectional side view



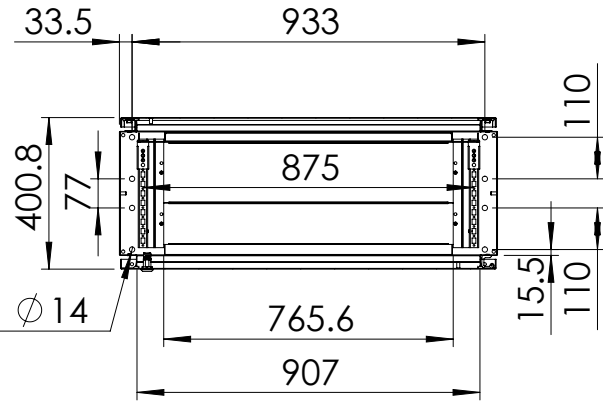
Inside door view



Mounting plate

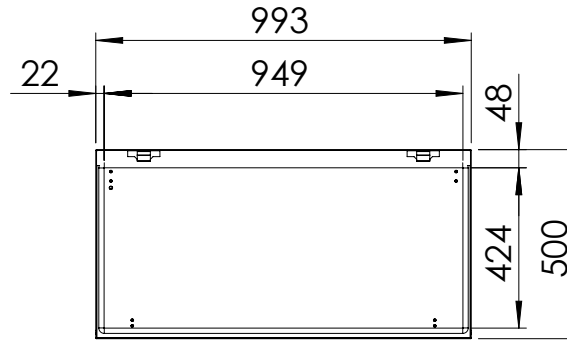


Sectional top view



SECTION A-A

Inside panel view



SECTION B-B

Drawn by : bvgрма	Date: 18-03-2013	Finish : RAL 7035	SCALE:1:20	General tolerances according to Norm ISO 2768-1		
Checked by : mderpu	Date: 18-03-2013					
Revision : 01				Fine	Medium	Coarse
		Console systems, One piece consoles in mild steel		Reference number :		
		985 mm x 1000 mm x 400 mm		MPG10R5		
				Page 1/1		

A4