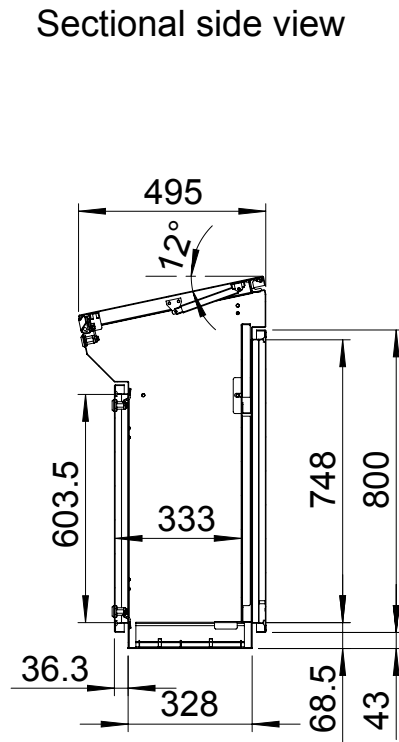
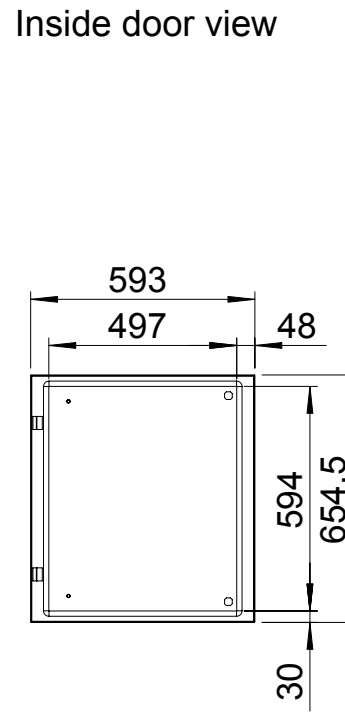


Front view



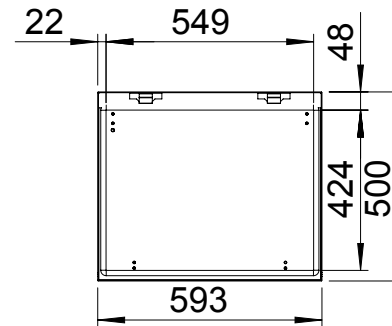
Sectional side view

SECTION A-A

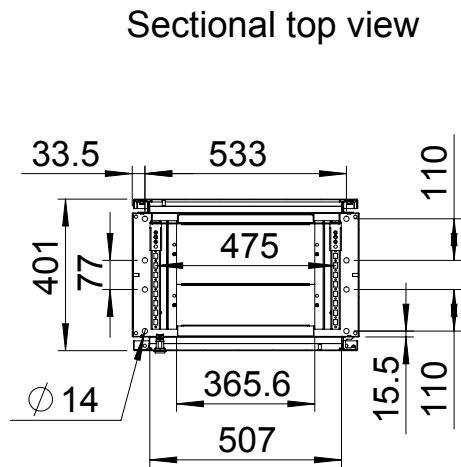
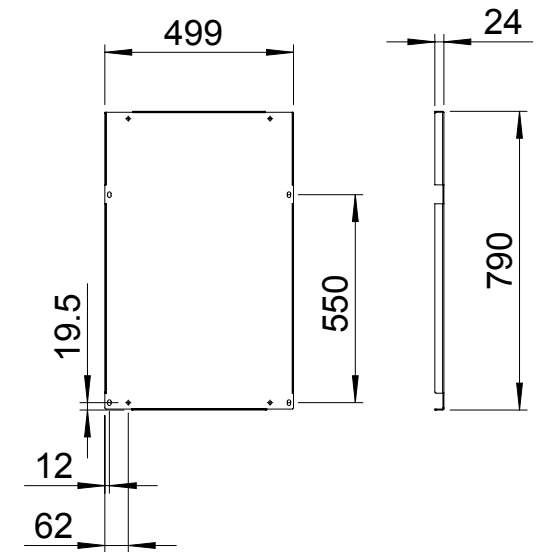


Inside door view

Inside panel view



Mounting plate



Sectional top view

SECTION B-B

Drawn by : bvgрма	Date: 18-03-2013	Finish : RAL 7035	SCALE:1:20	General tolerances according to Norm ISO 2768-1		
Checked by : mderpu	Date: 18-03-2013					
Revision : 01				Fine	Medium	Coarse
		Console systems, One piece consoles in mild steel		Reference number :		
		985 mm x 600 mm x 400 mm		MPG06R5		A4
				Page 1/1		