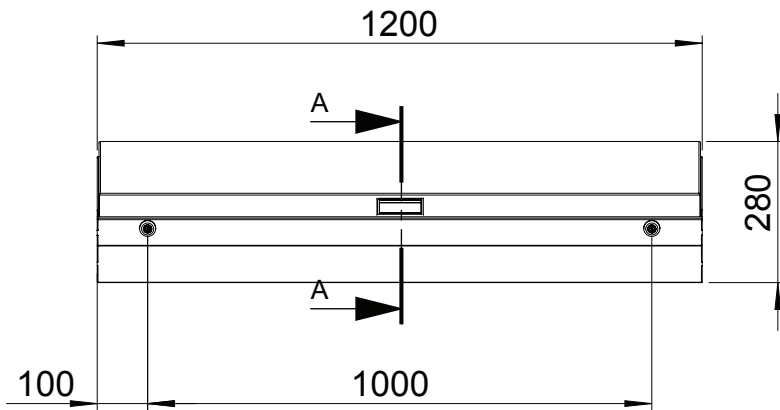
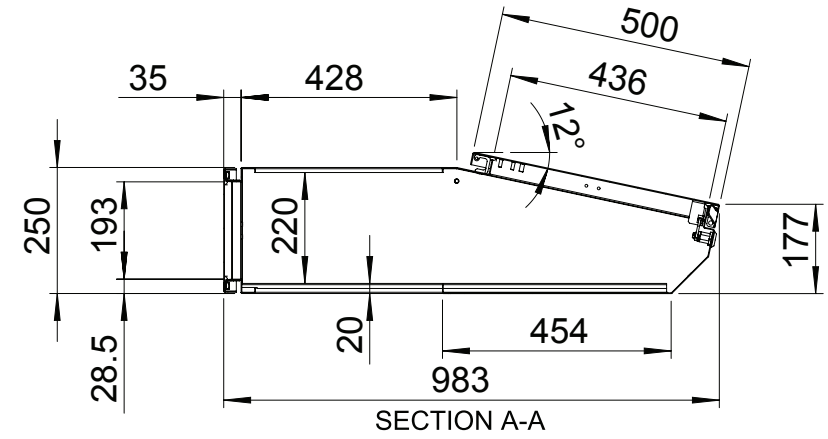


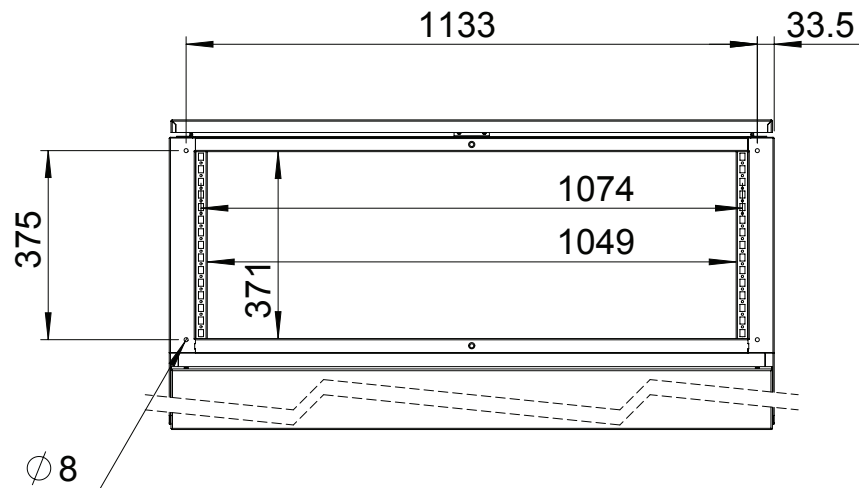
Front view



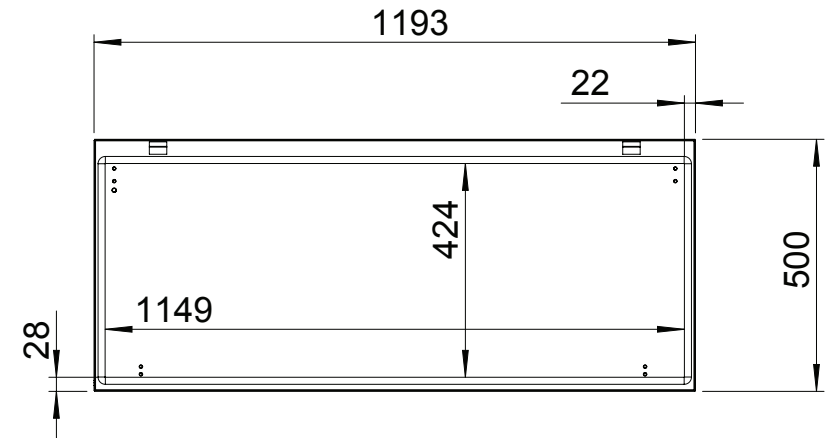
Sectional side view



Top view



Inside panel view



Drawn by : bvgрма	Date: 19-03-2013	Finish : RAL 7035	SCALE:1:15	General tolerances according to Norm ISO 2768-1		
Checked by : mderpu	Date: 19-03-2013					
Revision : 01				Fine	Medium	Coarse
		Console systems, Desk units, Stainless steel		Reference number : MPC122 MPC122 - 316		
		250 mm x 1200 mm x 985 mm				
					A4	
					Page 1/1	