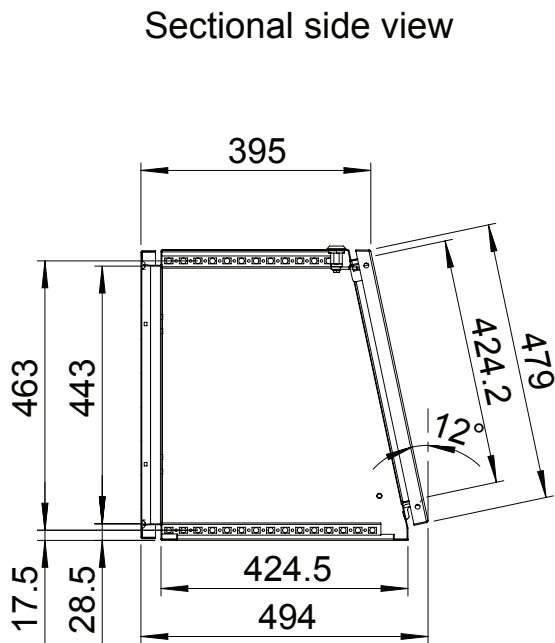
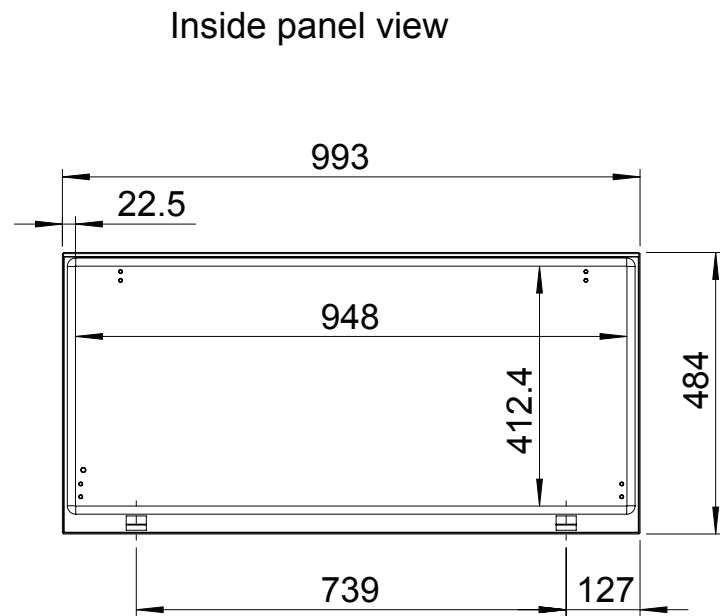


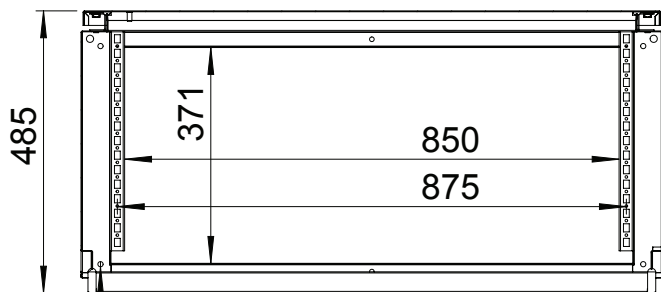
Front view



Sectional side view



Inside panel view



Sectional top view

SECTION A-A

SECTION B-B

Drawn by : bvgрма	Date: 19-03-2013	Finish : RAL 7035	SCALE:1:13	General tolerances according to Norm ISO 2768-1		
Checked by : mderpu	Date: 19-03-2013					
Revision : 01				Fine	Medium	Coarse
		Console systems, Top units, Stainless steel		Reference number :		
		500 mm x 1000 mm x 494 mm		MPCS101 MPCS101 - 316		A4
				Page 1/1		