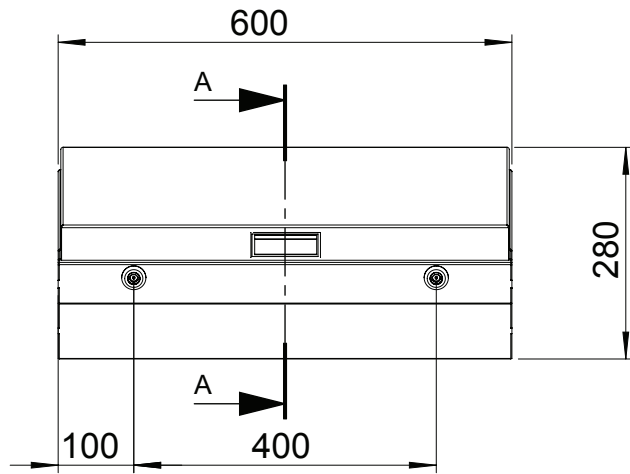
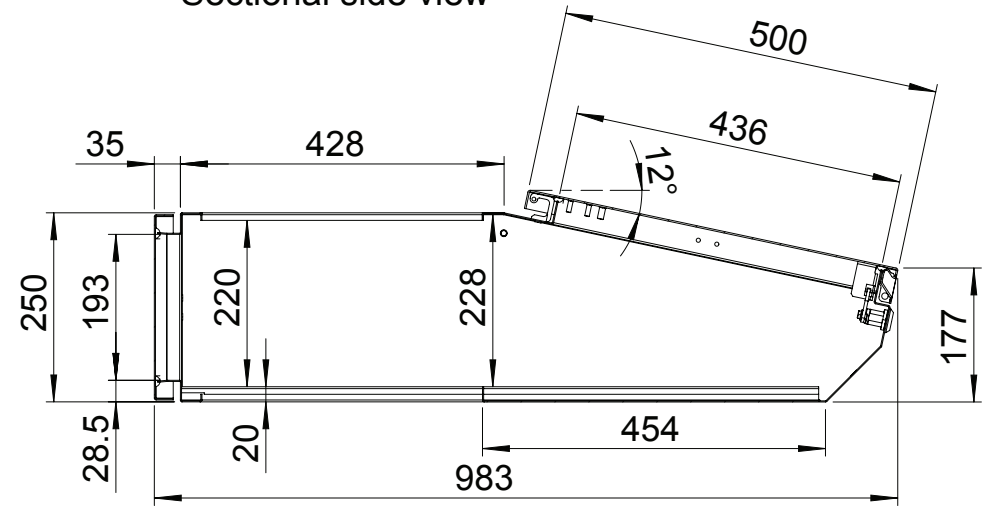


Front view

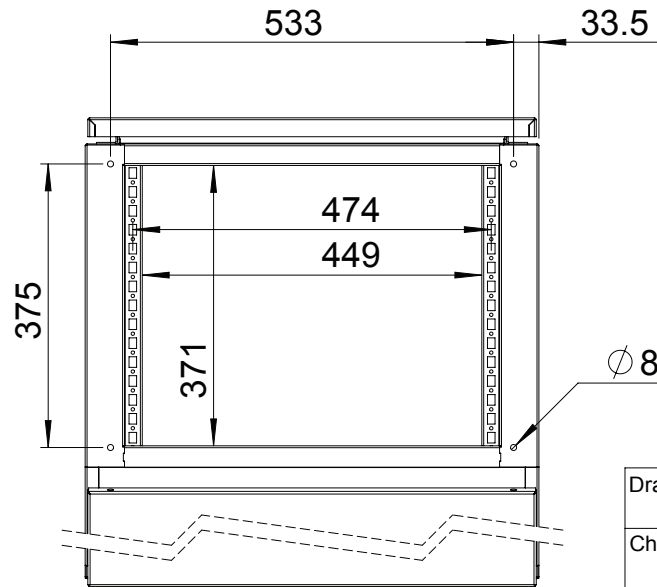


Sectional side view

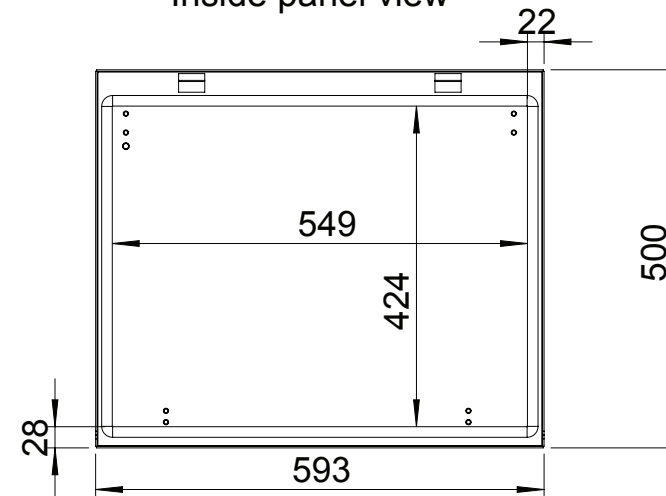


SECTION A-A

Top view



Inside panel view



Drawn by : bvgрма	Date: 19-03-2013	Finish : RAL 7035	SCALE:1:10	General tolerances according to Norm ISO 2768-1	
Checked by : mderpu	Date: 19-03-2013			Fine	Medium
Revision : 01				Coarse	
	Console systems, Desk units, Stainless steel		Reference number :		A4
	250 mm x 600 mm x 985 mm		MPCS062		
			MPCS062 - 316		
				Page 1/1	