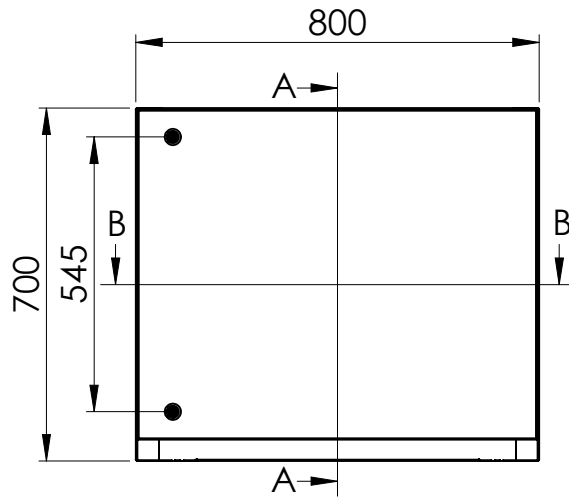
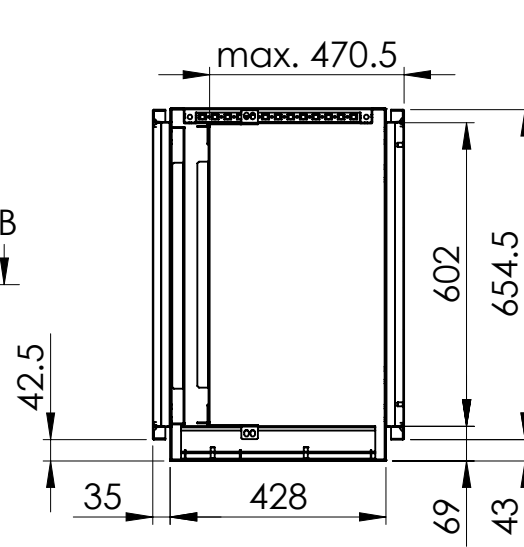


Front view

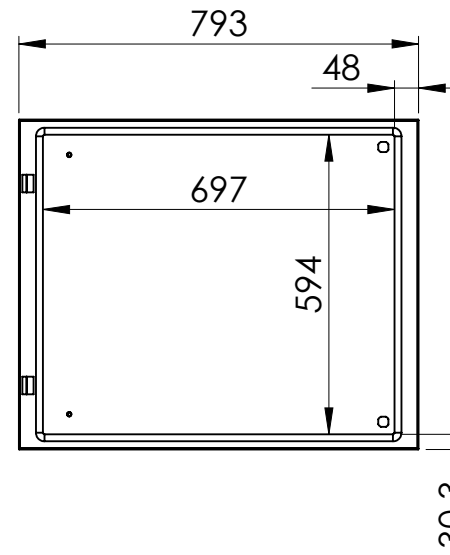


Sectional side view

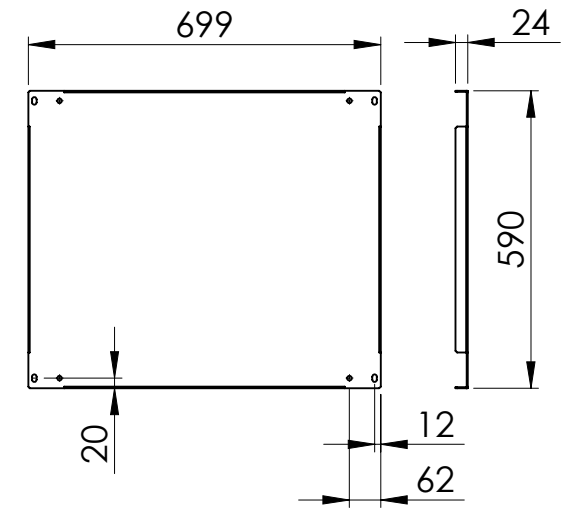


SECTION A-A

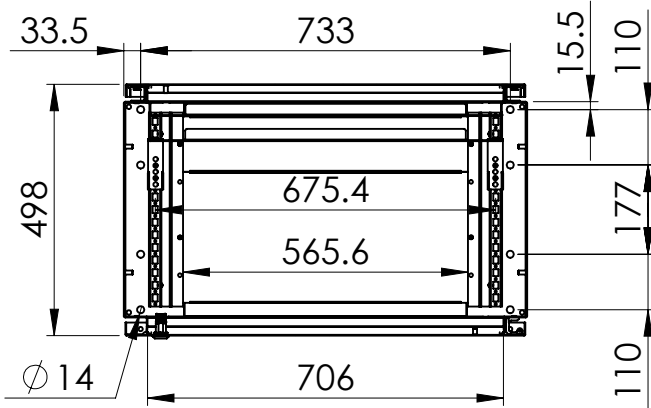
Inside door view



Mounting plate



Sectional top view



SECTION B-B

Drawn by: bvbura	Date: 24-03-2017	Finish: RAL 7035	SCALE:1:15	General tolerances according to Norm ISO 2768-1		
Checked by: mdmeni	Date: 24-03-2017					
Revision : 01				Fine	Medium	Coarse
		Console systems, Base units, Mild steel		Reference number : MPC083R5		
		700 mm x 800 mm x 500 mm				
				Page 1/1		

A4