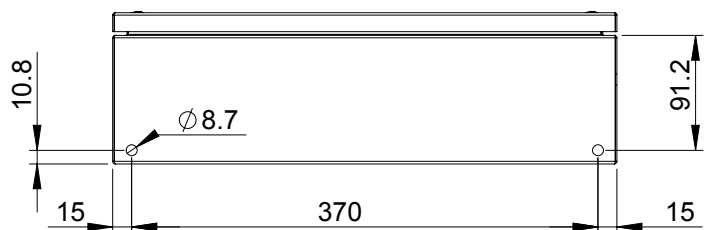
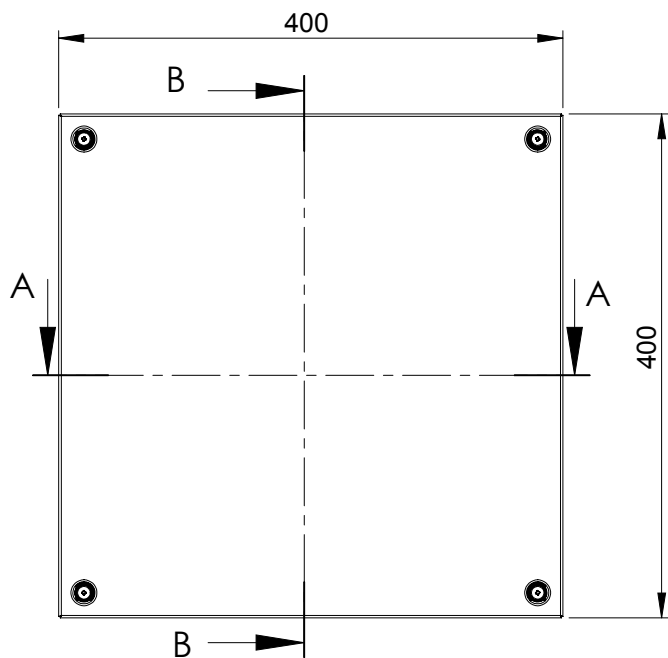


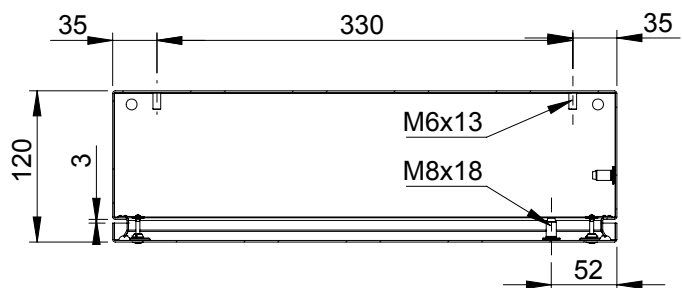
Bottom view



Front view

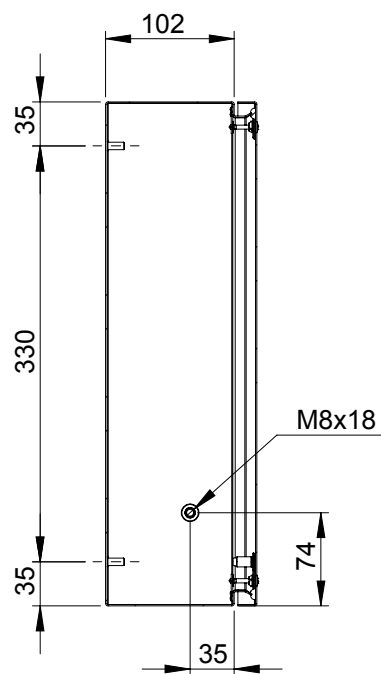


Sectional top view



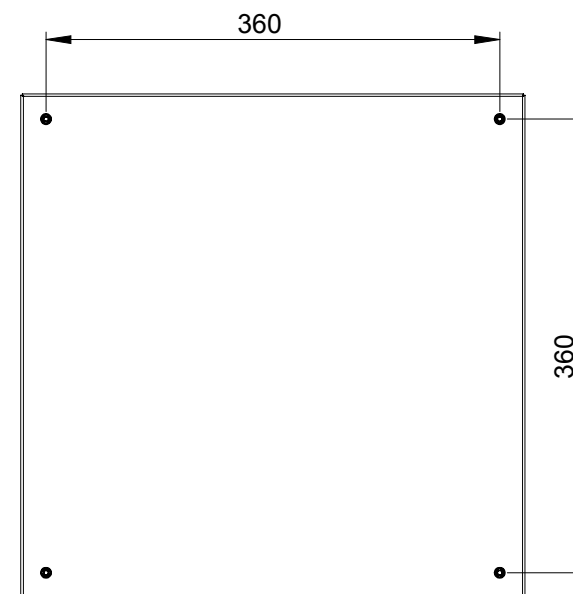
Section A-A

Sectional side view



Section B-B

Rear view



Drawn by : bvgma	Date: 25-11-2014	Finish : RAL 7035	SCALE:1:6	General tolerances according to Norm ISO 2768-1		
Checked by : mderpu	Date : 25-11-2014					
Revision : 01				Fine	Medium	Coarse
		Steel terminal box		Reference number : <b>STB404012</b>		A4
		400 mm x 400 mm x 120 mm				
				Page 1/1		