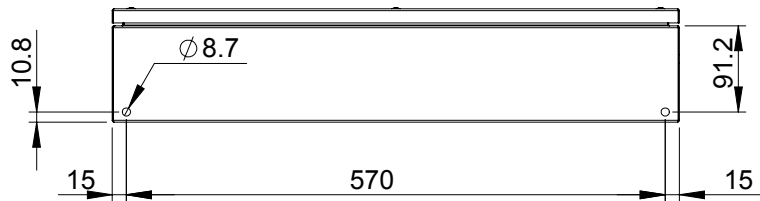
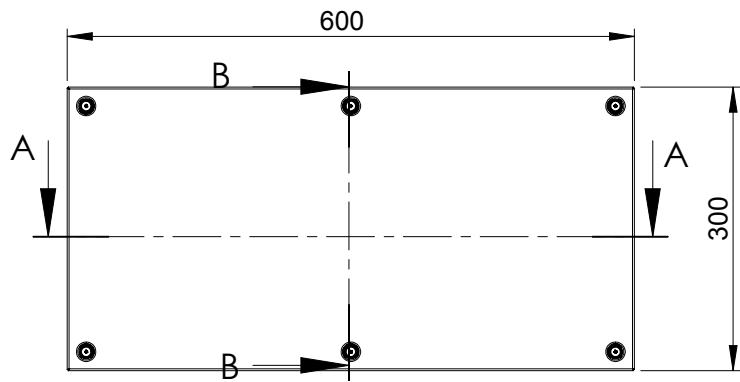


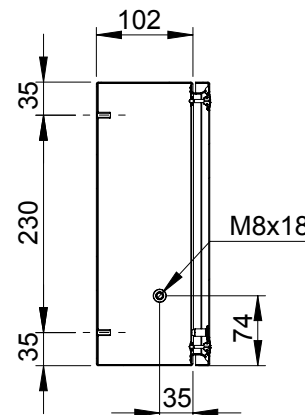
Bottom view



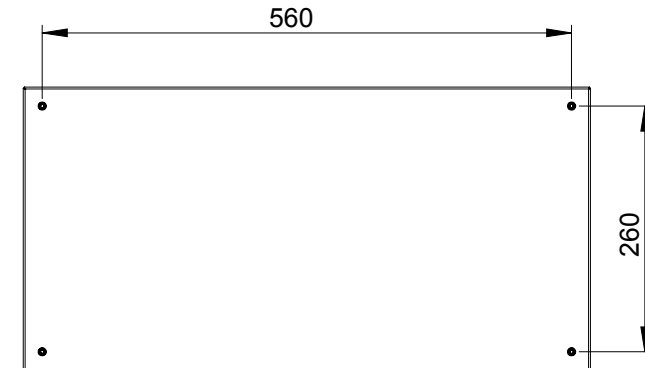
Front view



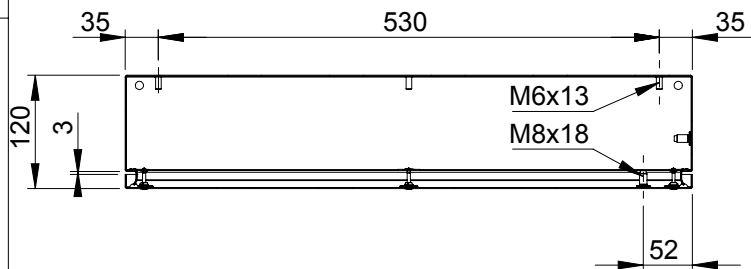
Sectional side view



Rear view



Sectional top view



Section A-A

Section B-B

Drawn by : bvgрма	Date: 25-11-2014	Finish : RAL 7035	SCALE:1:8	General tolerances according to Norm ISO 2768-1		
Checked by : mderpu	Date : 25-11-2014					
Revision : 01				Fine	Medium	Coarse
			Steel terminal box		Reference number : <b>STB306012</b>	<b>A4</b>
			300 mm x 600 mm x 120 mm			
					Page 1/1	