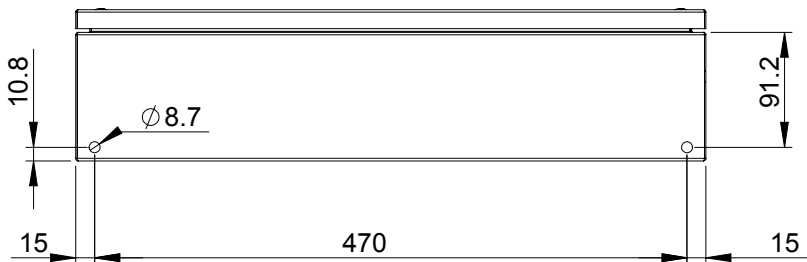
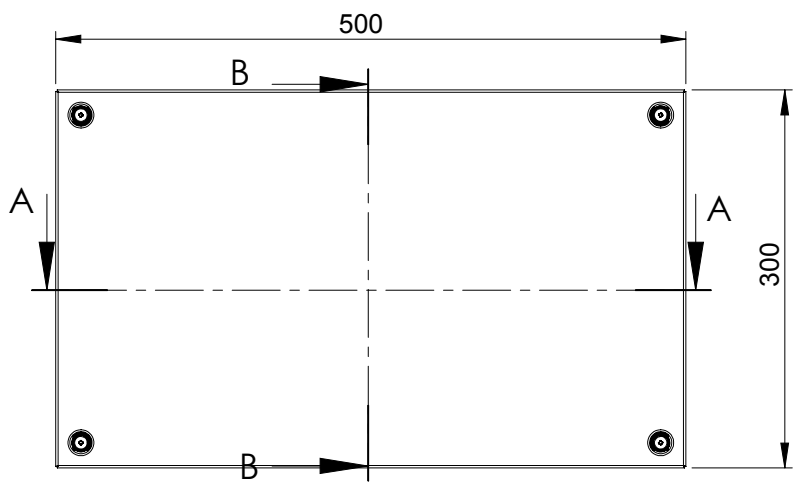


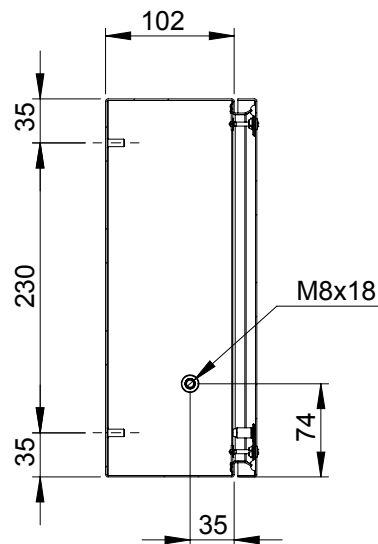
Bottom view



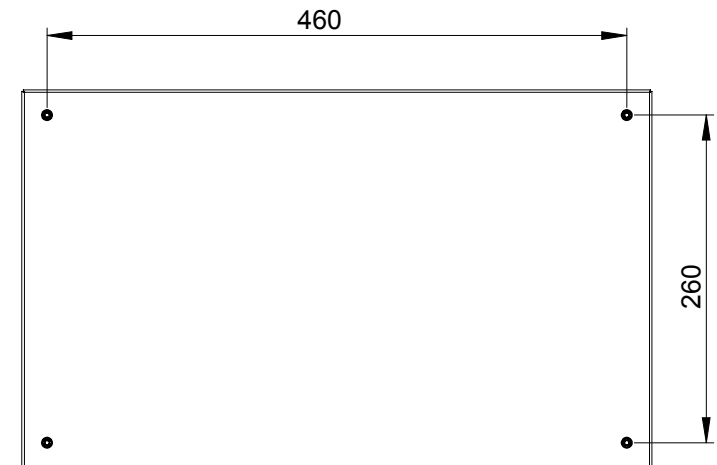
Front view



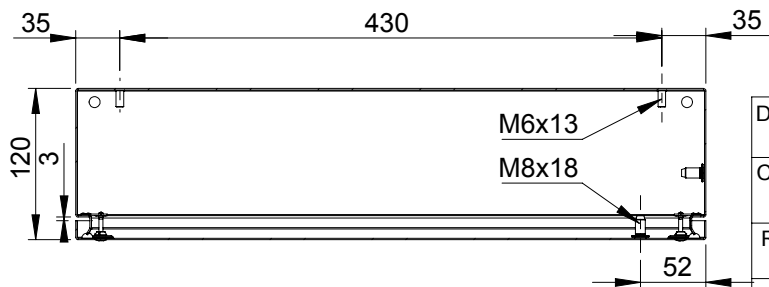
Sectional side view



Rear view



Sectional top view



Section B-B

Section A-A

Drawn by : bvgma	Date: 25-11-2014	Finish : RAL 7035	SCALE:1:6	General tolerances according to Norm ISO 2768-1	
Checked by : mderpu	Date : 25-11-2014			Fine	Medium
Revision : 01				Coarse	
			Steel terminal box		Reference number : STB305012
			300 mm x 500 mm x 120 mm		
					Page 1/1