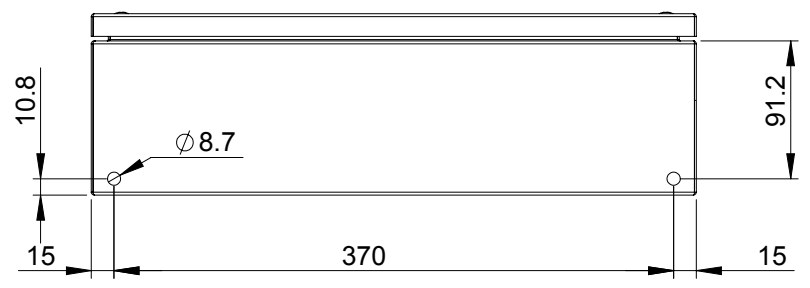
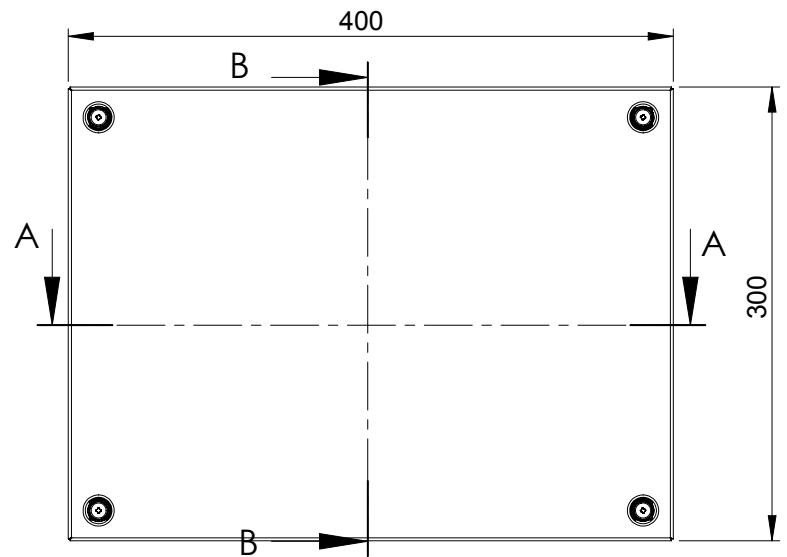


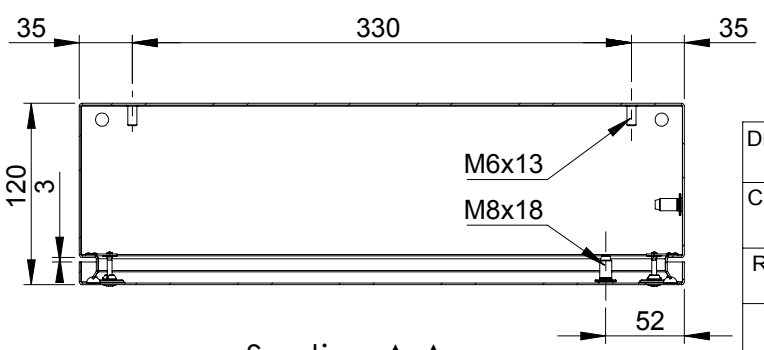
Bottom view



Front view

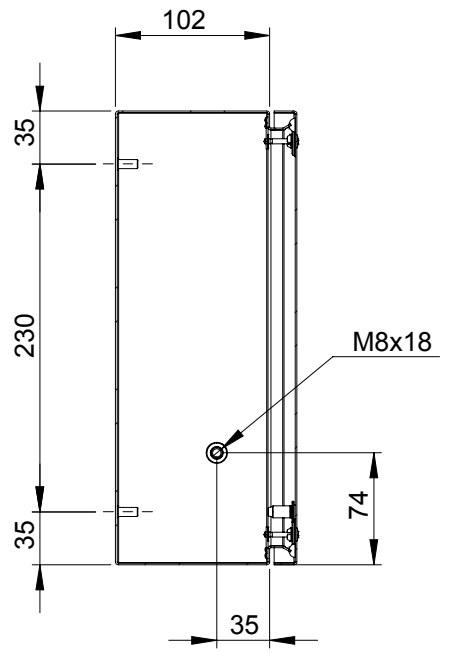


Sectional top view



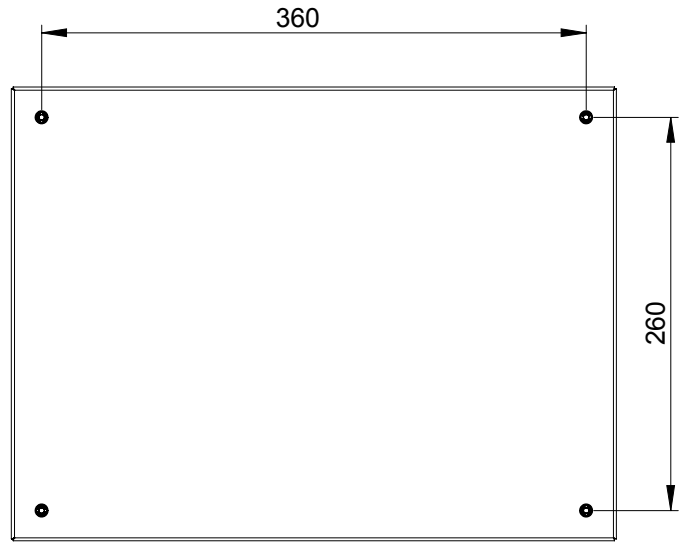
Section A-A

Sectional side view



Section B-B

Rear view



Drawn by : bvgрма	Date: 25-11-2014	Finish : RAL 7035	SCALE:1:5
Checked by : mderpu	Date : 25-11-2014		
Revision : 01			

General tolerances according to Norm ISO 2768-1		
Fine	Medium	Coarse

	Steel terminal box
	300 mm x 400 mm x 120 mm

Reference number :	A4
STB304012	
Page 1/1	