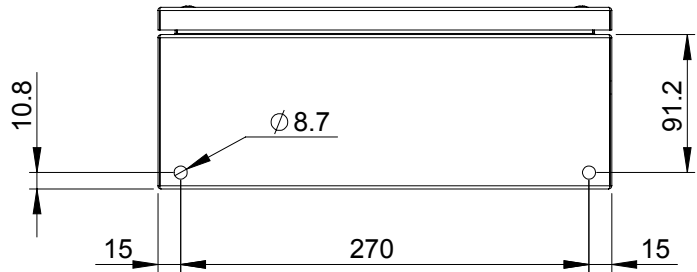
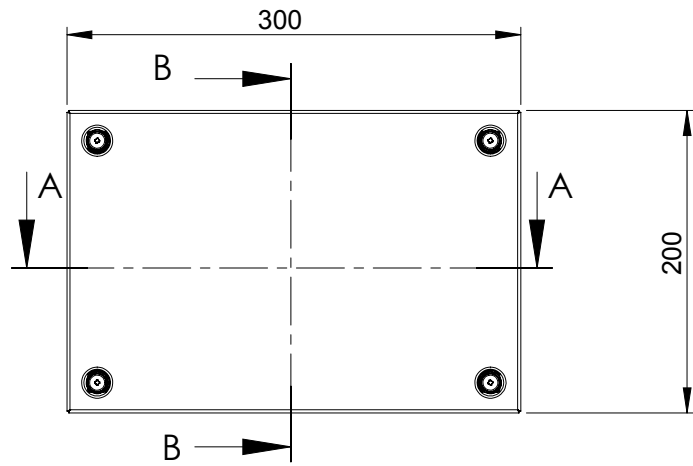


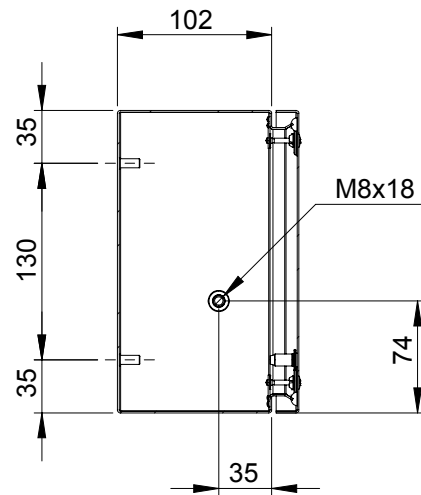
Bottom view



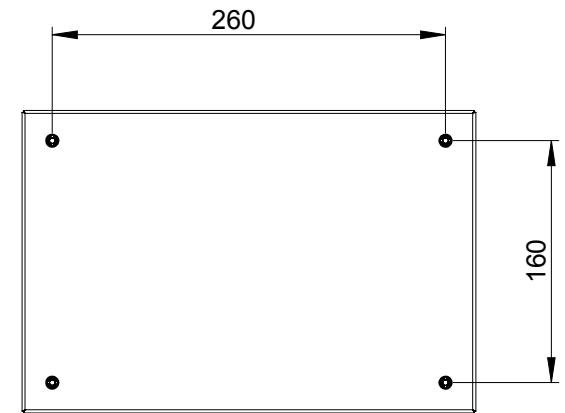
Front view



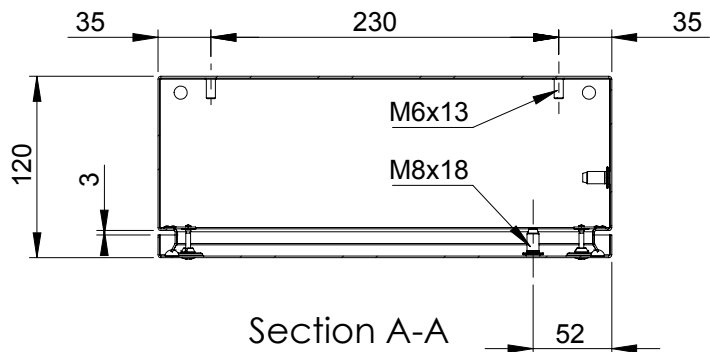
Sectional side view



Rear view



Sectional top view



Section B-B

Drawn by : bvgрма	Date: 25-11-2014	Finish : RAL 7035	SCALE:1:5	General tolerances according to Norm ISO 2768-1		
Checked by : mderpu	Date : 25-11-2014					
Revision : 01				Fine	Medium	Coarse
			Steel terminal box		Reference number : <b>STB203012</b>	A4
			200 mm x 300 mm x 120 mm			
					Page 1/1	