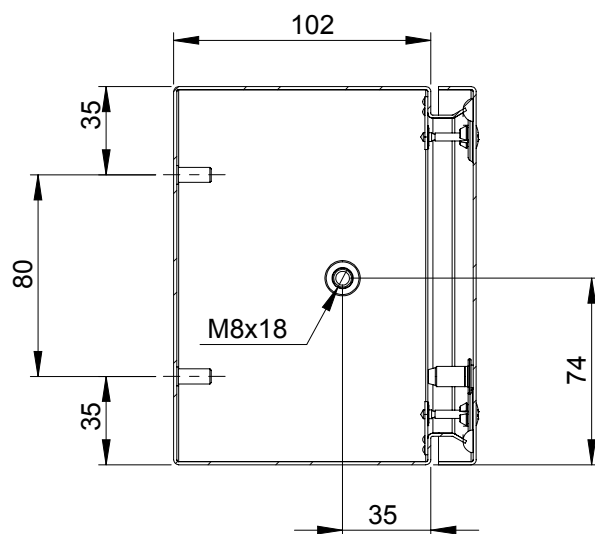
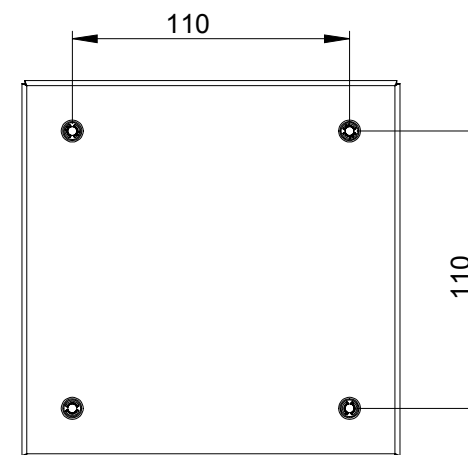


Sectional side view



Rear view



| | | | | | | |
|---------------------|-------------------|-------------------|--------------------------|---|--|--------|
| Drawn by : bvgрма | Date: 25-11-2014 | Finish : RAL 7035 | SCALE:1:3 | General tolerances according to Norm ISO 2768-1 | | |
| Checked by : mderpu | Date : 25-11-2014 | | | | | |
| Revision : 01 | | | | Fine | Medium | Coarse |
| | | | Steel terminal box | | Reference number : STB151512 | A4 |
| | | | 150 mm x 150 mm x 120 mm | | | |
| | | | | | Page 1/1 | |