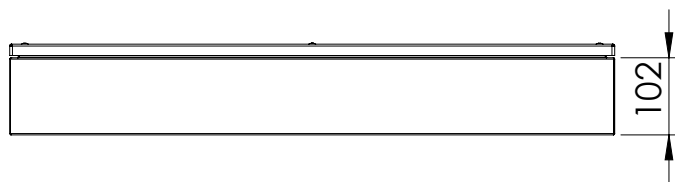
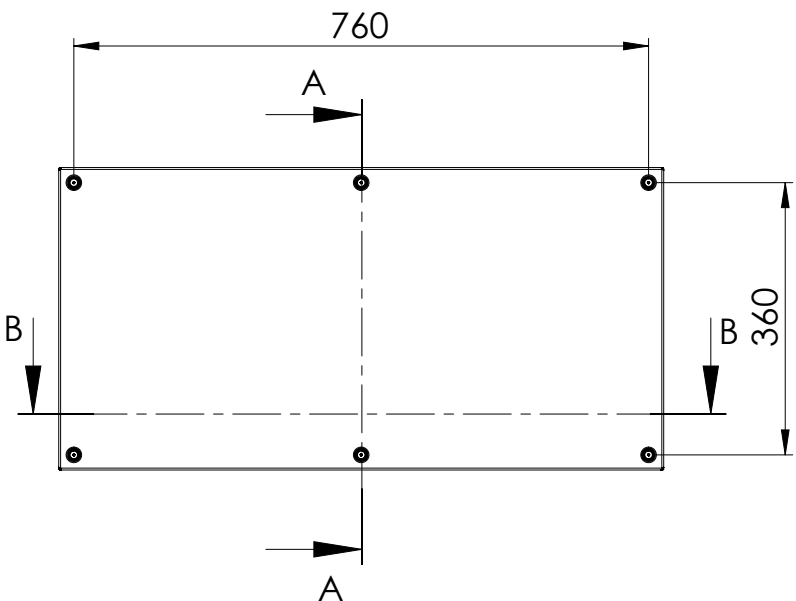


Bottom view

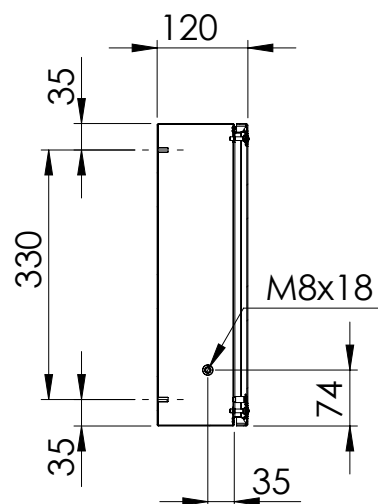


Front view



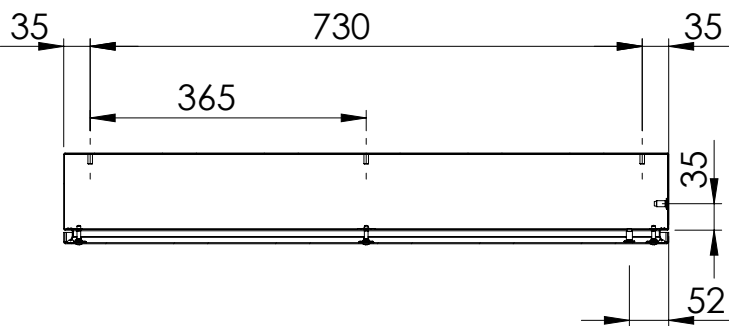
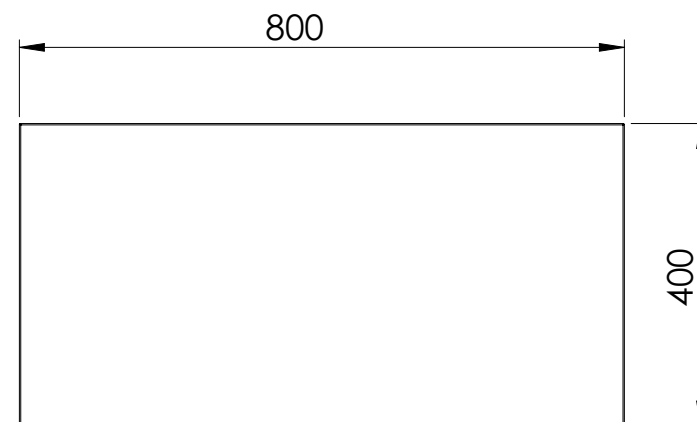
Sectional top view

Sectional side view



Section A-A

Rear view



Section B-B

Drawn by : bvgрма	Date: 25-01-2013	Finish : 240s Pre grained Stainless steel	SCALE:1:10	General tolerances according to Norm ISO 2768-1		
Checked by : mderpu	Date : 25-01-2013					
Revision : 01				Fine	Medium	Coarse
		Stainless steel terminal box		Reference number : SSTB408012 SSTB408012-316		A4
		400 mm x 800 mm x 120 mm				
				Page 1/1		