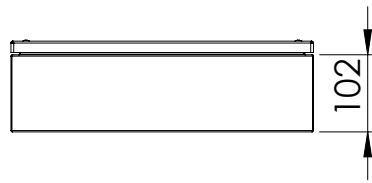
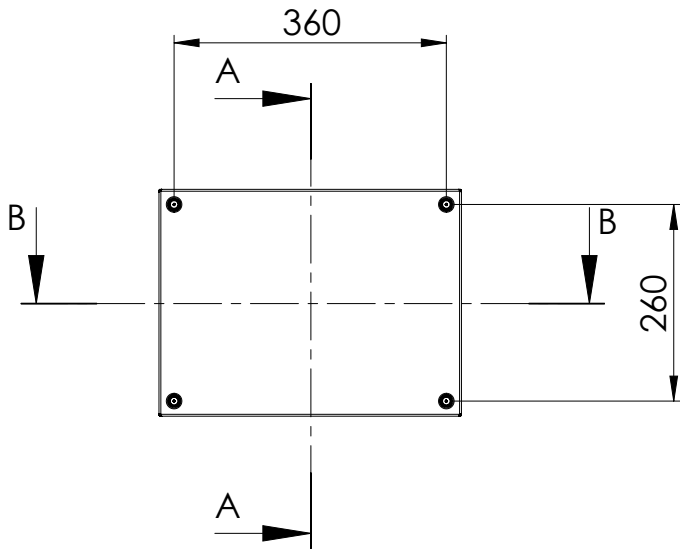


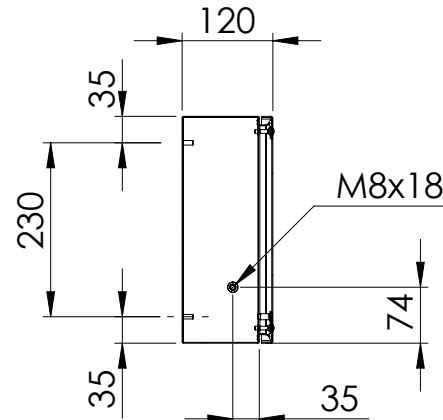
Bottom view



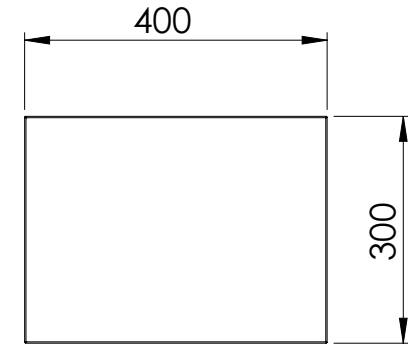
Front view



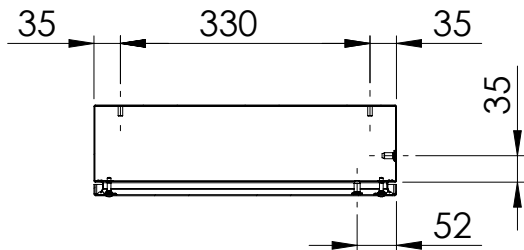
Sectional side view



Rear view



Sectional top view



Section A-A

Section B-B

|                     |                   |   |            |  |        |          |
|---------------------|-------------------|---|------------|--|--------|----------|
| Drawn by : bvgрма   | Date: 25-01-2013  | Finish : 240s Pre grained Stainless steel | SCALE:1:10 | General tolerances according to Norm ISO 2768-1    |        |          |
| Checked by : mderpu | Date : 25-01-2013 |   |            |  |        |          |
| Revision : 01       |                   |   |            | Fine   | Medium | Coarse   |
|                     |                   | Stainless steel terminal box              |            | Reference number :<br>SSTB304012<br>SSTB304012-316 |        | A4       |
|                     |                   | 300 mm x 400 mm x 120 mm                  |            |  |        |          |
|                     |                   |   |            |  |        | Page 1/1 |