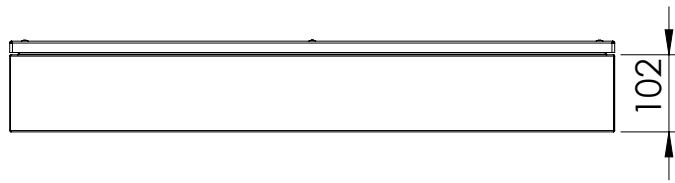
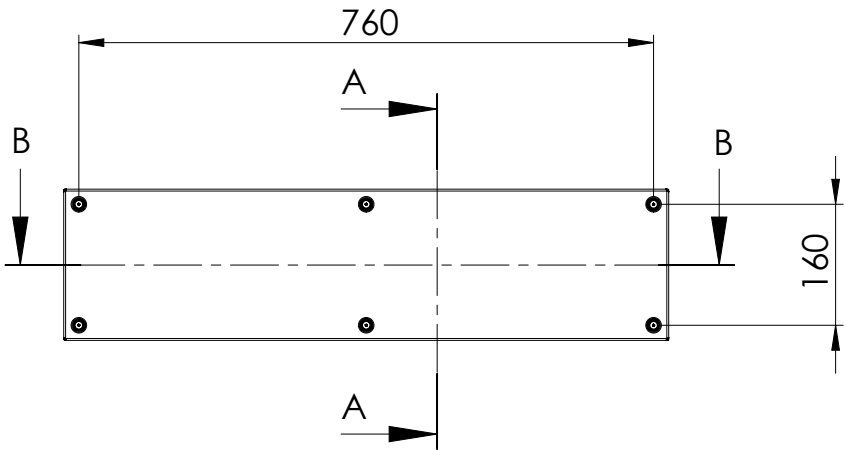


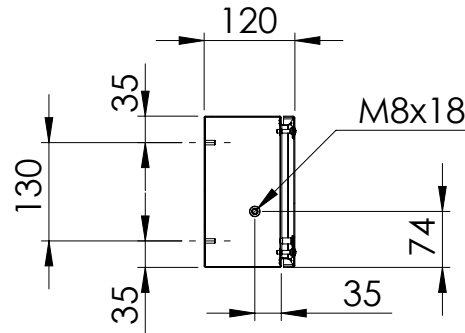
Bottom view



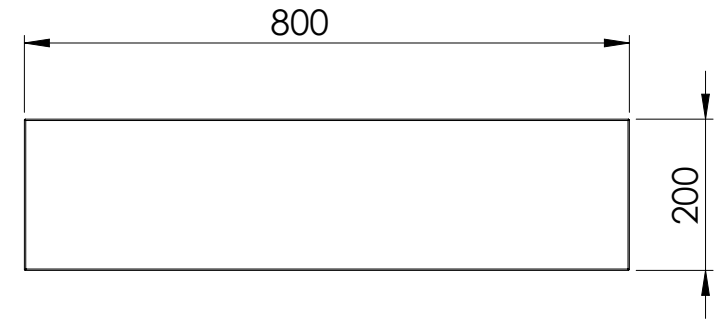
Front view



Sectional side view

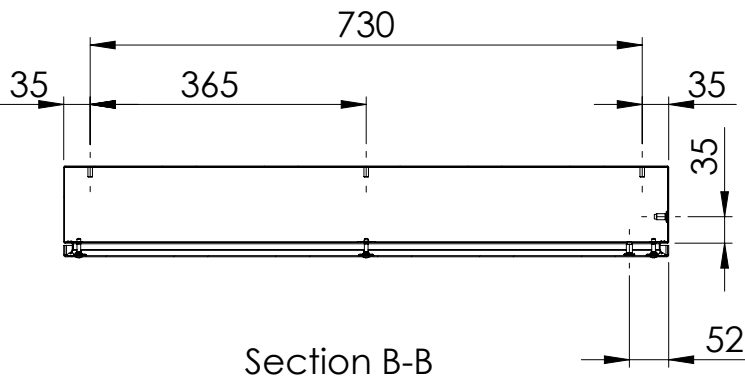


Rear view



Section A-A

Sectional top view



Section B-B

| | | | | | | |
|---------------------|-------------------|---|------------|--|--------|----------|
| Drawn by : bvgрма | Date: 25-01-2013 | Finish : 240s Pre grained Stainless steel | SCALE:1:10 | General tolerances according to Norm ISO 2768-1 | | |
| Checked by : mderpu | Date : 25-01-2013 | | | | | |
| Revision : 01 | | | | Fine | Medium | Coarse |
| | | Stainless steel terminal box | | Reference number : SSTB208012 SSTB208012-316 | | A4 |
| | | 200 mm x 800 mm x 120 mm | | | | |
| | | | | | | Page 1/1 |